

PARTS CATALOG

DONG FENG TRACTOR

★ DF504G3



目录 CONTENT

1	空滤器总成 Air filter	1
2	散热器总成 Radiator.....	3
3.A	油门操纵机构总成 Throttle Control Mechanism.....	5
3.B	油门操纵机构总成 Throttle Control Mechanism.....	8
4.1	离合器总成 Clutch (A)	11
4.2	离合器总成 Clutch (B)	14
5	消声器总成 Muffler	16
6.A.1	梭形挡总成 (A) Shuttle gear (A).....	18
6.A.2	梭形挡总成 (B) Shuttle gear (B).....	21
6.B.1	梭形挡、爬行挡总成 (A) Shuttle gear, Creep gear(A)	24
6.B.2	梭形挡、爬行挡总成 (B) Shuttle gear, Creep gear(B).....	28
7	机架总成 Frame	32
8.1	前驱动桥总成 (左边减速) Front Drive Axle(Left Side-Slowdown)	34
8.2	前驱动桥总成 (中) Front Drive Axles(Middle)	38
8.3	前驱动桥总成 (右边减速) Front Drive Axle(Right Side-Slowdown).....	41
8.4	前驱动桥总成 (504G3.31.012 部件) Front Drive Wheel Axle(504G3.31.012 Assembly).....	45
8.5	前驱动桥总成 (504G3.31.016 部件) Front Drive Axle(504G3.31.016 Assembly)	47

9	前驱动轮总成 Front Drive Wheel.....	49
10	驱动轮总成 Drive Wheel.....	51
11.A	摆杆式牵引装置总成 Tractor Drawbar	53
11.B	牵引装置总成（旋转式） Clevis type	55
12	传动轴总成 Transmission Shaft	57
13.1	变速箱总成（A） Gearbox(A).....	59
13.2	变速箱总成（B） Gearbox(B).....	62
14.1	后桥总成（A） Rear Axle(A)	66
14.2	后桥总成（B） Rear Axle(B)	69
14.3	差速锁总成 Differential Lock	71
15	最终传动总成 Final Transmission.....	73
16.1	液压转向系统总成 Full Hydraulic Power Steering Gear	76
16.2.A	转向总成 Steering System	79
16.2.B	转向总成 Steering System	81
17	后置动力输出总成 PTO	84
18	制动器及操纵机构总成 Disc Brake and Operation Mechanism	88
19	座椅总成 Seat.....	91
20.1.1	驾驶室内饰总成 Cab Assembly trim	93
20.1.2	驾驶室支撑 Backstops of Cab Assembly	95
20.1.3	驾驶室总成 Cab Assembly	97

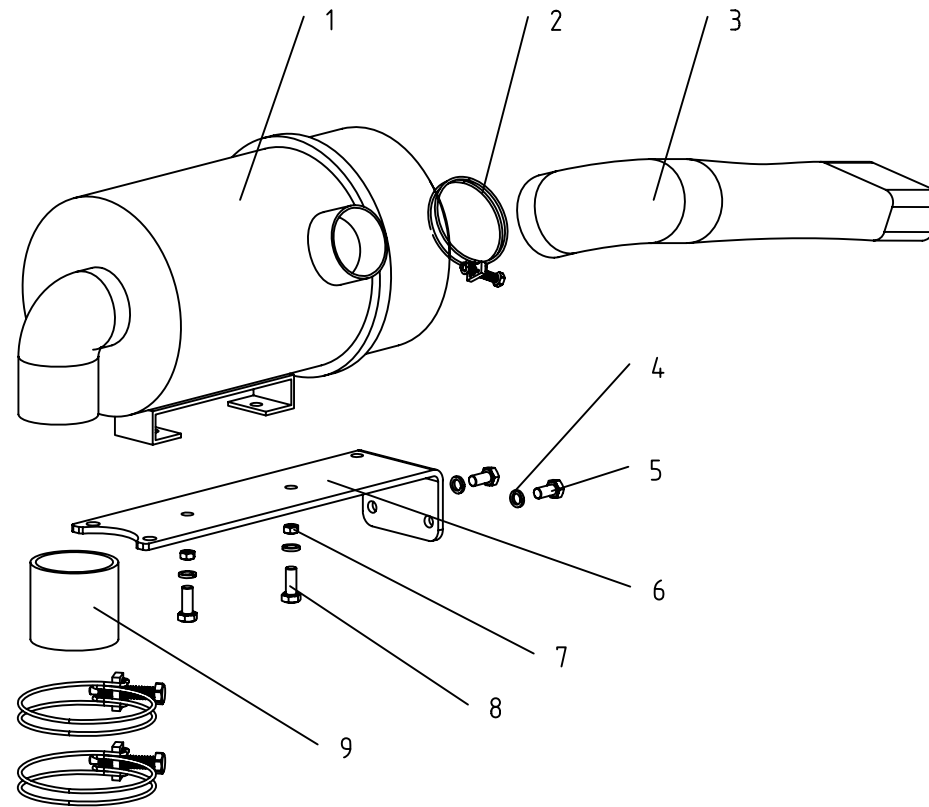
20.1.4	驾驶室门合件 The door	100
20.2	遮阳蓬总成 Sunshade(Optional)	103
21	安全架总成 Safety Frame	105
22.1	机罩仪表罩总成 (A) Hood and Panel (A).....	107
22.2	机罩仪表罩总成 (B) Hood and Panel (B)	110
23.A.1	电气系统总成 Electrical System	113
23.A.2	驾驶室电气系统总成 CAB Electrical System.....	116
23.B	电气系统总成 Electrical System	118
24	工具箱总成 Toolbox.....	121
25	燃油箱总成 Fuel Tank.....	123
26.1	地板挡泥板总成 (A) Foot Mud Shields Rest(A)	126
26.2	地板挡泥板总成 (B) Foot Mud Shields Rest(B).....	129
27.1	提升器总成 (A) Hydraulic Power Lift (A)	132
27.2	提升器总成 (B) Hydraulic Power Lift (B)	135
27.3	提升器总成 (C) Hydraulic Power Lift (C)	137
27.4	提升器总成 (D) Hydraulic Power Lift (D).....	139
28.1	悬挂装置总成 Suspension Mechanism	143
28.2	右下拉杆总成 Lower Right Rod Assembly	146
28.3	左下拉杆总成 Lower Left Rod Assembly	148
29	液压提升系统总成 Hydraulic Lifting Pipeline Assembly	150

30	前配重总成 Front Balance Weight	154
ENGINE		
31	气缸盖罩总成 Cylinder Head Cover Assembly(Fig.1)	156
32	气缸盖总成 Cylinder Head Assembly(Fig.2)	158
33	机体、齿轮室总成 Cylinder Block and Gear Case Assembly(Fig.3)	161
34	正时齿轮系总成 Timing Gear Train(Fig.4).....	166
35	活塞、连杆总成 Piston and Connecting Rod Assembly(Fig.5)	168
36	曲轴、飞轮总成 Crankshaft and Flywheel Assembly(Fig.6)	170
37	配气机构 Valve Timing Mechanism(Fig.7)	172
38	水泵、风扇总成 Water Pump and Fan Assembly(Fig.8).....	175
39	油底壳总成 Oil Sump Assembly (Fig.9).....	178
40	机油泵总成 Lubricating Oil Pump Assembly (Fig.10)	180
41	燃油系统总成 Fuel System (Fig.11)	182
42	机油集滤器总成 Oil Suction Strainer Assembly (Fig.12)	185
43	张紧轮部件 Tension pulley assembly (Fig.13)	187
44	机滤、发电机、起动电机 Oil Filter/Air Filter/Generator/Starting Motor/Silencer(Fig.14)	189
45	呼吸器总成 Breather Assembly (Fig.15).....	191

1 空滤器总成

Air Filter

504G3-E. 10. 001-1



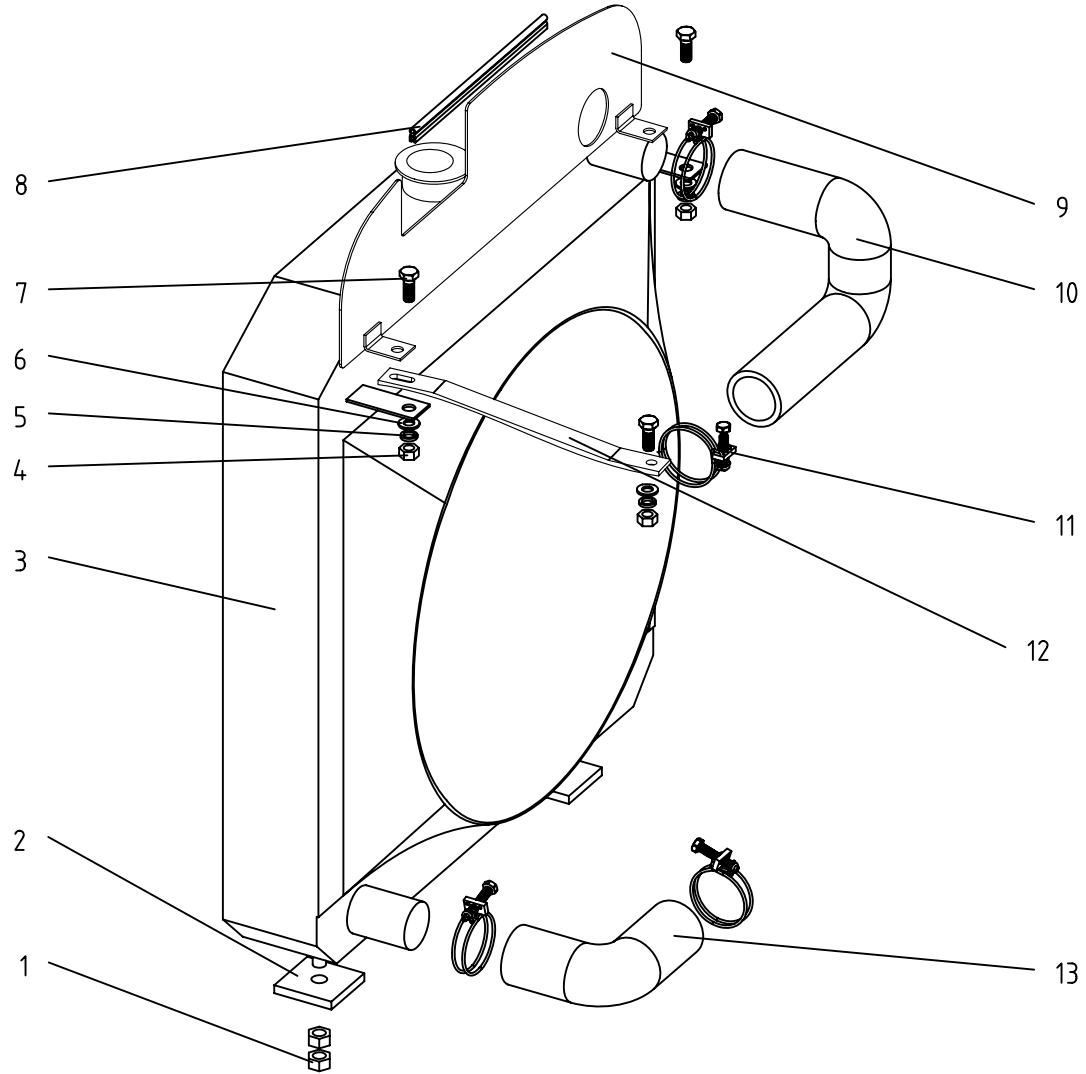
1 空滤器总成 Air Filter

Ser.No.	Part No.	名称及规格	Name & Specifications	Quantity	Remarks
1	504G3-E.10.011	空气滤清器	Air filter	1	
2	JB/T8870-1999-(51-70)	喉箍 (51-70)	Clip (51-70)	3	
3	504G3-E.10.101	空滤器进气管	air duct	1	
4	GB/T93-1987-8	垫圈 8	Spring lock washer 8	2	
5	GB/T5783-2000-M8×16	螺栓 M8×16	Hex. head bolt M8×16	2	
6	504G3-E.10.102	空滤器安装板	Air filter bracket	1	
7	GB/T6170-2000-M8	螺母 M8	Hex. nut M8	2	
8	GB/T5783-2000-M8×20	螺栓 M8×20	Hex. head bolt M8×20	2	
9	504G3.10A.102	出气管	Air rubber pipe	1	

2 散热器总成

Radiator

504G3-E. 13. 001

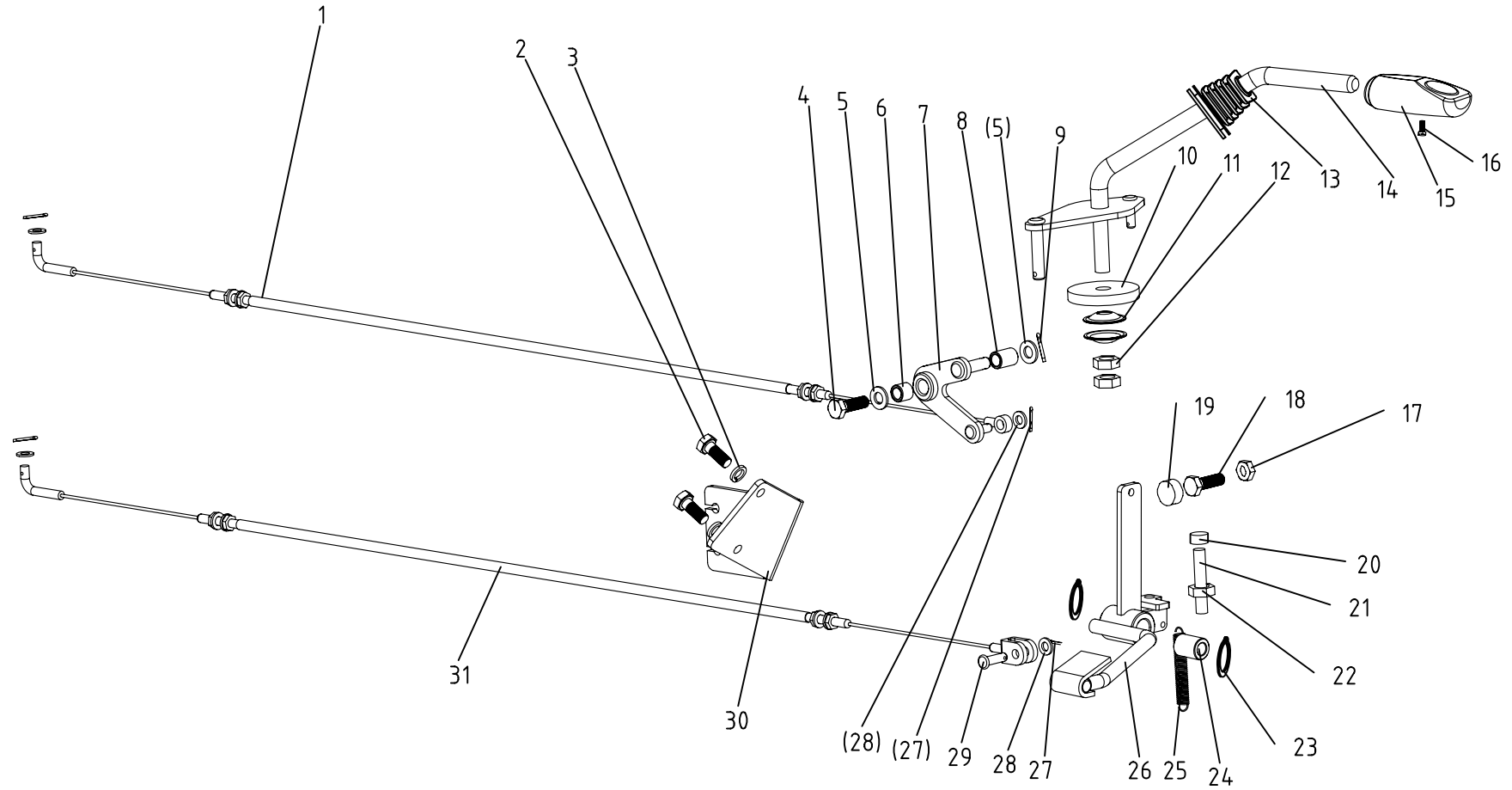


2 散热器总成 Radiator

Ser.No.	Part No.	名称及规格	Name & Specifications	Quantity	Remarks
1	GB/T6170-2000-M10	螺母 M10	Hex. nut M10	4	
2	504G3.13.104	橡胶垫	Rubber pad	2	
3	504G3.13.011A	散热器部件	Radiator	1	
4	GB/T6170-2000-M8	螺母 M8	Hex. nut M8	3	
5	GB/T93-1987-8	垫圈 8	Spring lock washer 8	3	
6	GB/T97.1-2002-8	垫圈 8	Plain washer 8	2	
7	GB/T5783-2000-M8×20	螺栓 M8×20	Hex.head bolt M8×20	3	
8	550-1.51.101	密封条	Stamping steel ribbon	1	
9	504G3-E.13.011	上挡板焊合件	thermal baffle	1	
10	484.13.101	上输水管	Upper water hose	1	
11	JB/T8870-1999-d60(40-60)	喉箍 d60(40-60)	Clip d60(40-60)	4	
12	504G3-E.13.101	水箱撑杆	Pull rod, radiator	1	
13	504G3.13.102	下输水管	Lower water hose	1	

3. A 油门操纵机构总成 Throttle Control Mechanism

504G3-E. 20. 001



3. A 油门操纵总成 Throttle Control Mechanism

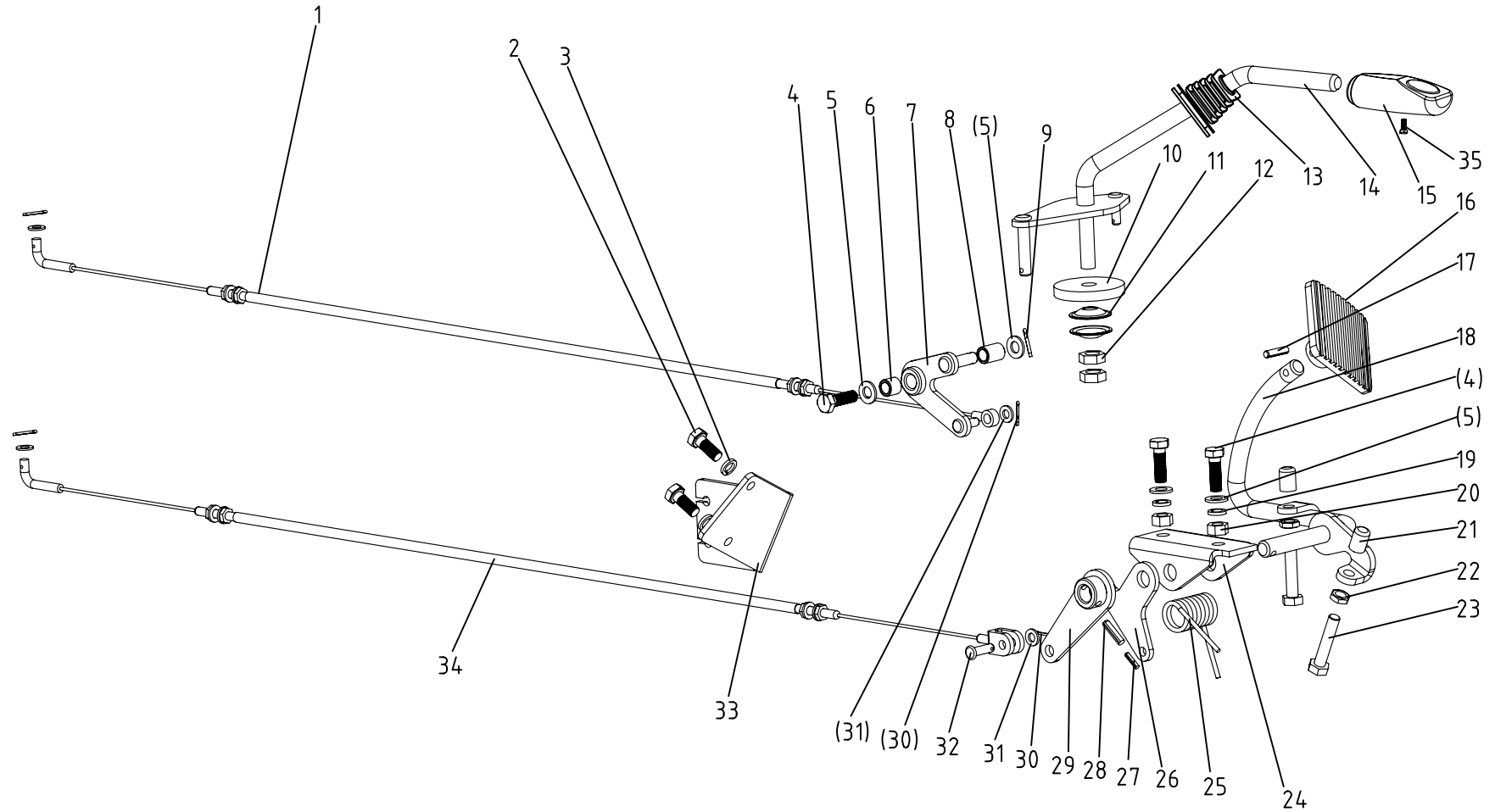
Ser.No.	Part No.	名称及规格	Name & Specifications	Quantity	Remarks
1	504G3.20.014	手油门拉线组合件	Hand throttle wire	1	
2	GB/T5783-2000-M6×20	螺栓 M6×20	Hex. head bolt M8×20	2	
3	GB/T93-1987-6	垫圈 6	Spring lock washer 6	2	
4	GB/T5781-2000-M8×25	螺栓 M8×25	Hex. head bolt M8×25	1	
5	GB/T97.1-2002-8	垫圈 8	Plain washer 8	2	
6	504G3.20.104	垫套	Bush	1	
7	504G3.20.021	连接板焊合件	Connect board	1	
8	504G3.20.115	转套	Thimble	1	
9	GB/T91-2000-2×14	销 2×14	Split pin 2×14	1	
10	504G3.20.102	摩擦片	Friction lining	1	
11	504G3.20.105	碟形垫片	Acetabuliform mat	2	
12	GB/T6170-2000-M12	螺母 M12	Hex. nut M12	2	
13	504G3.20.101	橡胶套	Rubber boot	1	
14	504G3.20.012	手油门操纵杆焊合件	Operating lever,Hand throttle	1	
15	504G3.20.011-1	手柄组合件	Handle	1	
16	GB/T845-1985-ST4.2×13	自攻螺钉 ST4. 2×13	Bolt ST4.2×13	1	
17	GB/T6170-2000-M10	螺母 M10	Hex. nut M10	1	
18	GB/T5781-2000-M10×55	螺栓 M10×55	Hex. head bolt M10×55	1	
19	504G3.21.103	橡胶垫	Rubber blanket	1	
20	550.20.120-1	橡胶帽	Rubber knot	1	
21	504G3-E.20.101	限位螺杆		1	
22	GB/T6170-2000-M8	螺母 M8	Hex. nut M8	1	
23	GB/T894.1-1986-15	挡圈 15	Circlip for shaft 15	1	
24	254G3.40.134	衬套	Bushing	1	
25	504G3-3.20.101-1	回位弹簧	Return spring	1	

3.A 油门操纵总成 Throttle Control Mechanism

续表

Ser.No.	Part No.	名称及规格	Name & Specifications	Quantity	Remarks
26	504G3-E.20.011-1	脚油门踏板焊合件	Foot throttle lever	1	
27	GB/T91-2000-1.6×12	销 1.6×12	Split pin 1.6×12	5	
28	GB/T97.1-2002-6	垫圈 6	Plain washer 6	4	
29	GB/T882-1986-B6×20	销轴 B6×20	Clevis pin with head B6×20	1	
30	504G3.20.103	支撑板	Support board	1	For outboard air cleaner
31	504G3.20.015	脚油门拉线组合件	Foot throttle wire	1	

3. B 油门操纵机构总成
Throttle Control Mechanism
504G3. 20. 001



3.B 油门操纵总成 Throttle Control Mechanism

Ser.No.	Part No.	名称及规格	Name & Specifications	Quantity	Remarks
1	504G3.20.014	手油门拉线组合件	Hand throttle wire	1	
2	GB/T5783-2000-M6×20	螺栓 M6×20	Hex. head bolt M8×20	2	
3	GB/T93-1987-8	垫圈 8	Spring lock washer 8	2	
4	GB/T5783-2000-8×25	螺栓 M8×25	Hex. head bolt M8×25	3	
5	GB/T97.1-2002-8	垫圈 8	Plain washer 8	4	
6	504G3.20.104	垫套	Bush	1	
7	504G3.20.021	连接板焊合件	Connect board	1	
8	504G3.20.115	转套	Thimble	1	
9	GB/T91-2000-2×14	销 2×14	Split pin 2×14	1	
10	504G3.20.102	摩擦片	Friction lining	1	
11	504G3.20.105	碟形垫片	Acetabuliform mat	2	
12	GB/T6170-2000-M12	螺母 M12	Hex. nut M12	2	
13	504G3.20.101	橡胶套	Rubber boot	1	
14	504G3.20.012	手油门操纵杆焊合件	Operating lever,Hand throttle	1	
15	504G3.20.011-1	手柄组合件	Handle	1	
16	550.20.104-1	油门踏板	Foot throttle pedal	1	
17	GB/T879.4-2000-5×20	销 5×20	Parallel pin 5×20	1	
18	550.20.021-1	脚油门踏杆焊合件	Foot throttle lever	1	
19	GB/T93-1987-6	垫圈 6	Spring lock washer 6	2	
20	GB/T6170-2000-M8	螺母 M8	Hex. nut M8	2	
21	550.20.120-1	橡胶帽	Rubber knot	2	
22	GB/T6172-2000-M8	螺母 M8	Hex. nut M8	2	
23	GB/T5781-2000-M8×40	螺栓 M8×40	Hex. head bolt M8×40	2	
24	550.20.121-1	油门支架	Throttle bracket	1	
25	550.20.122-1	扭簧	Twist spring	1	

3.B 油门操纵总成 Throttle Control Mechanism

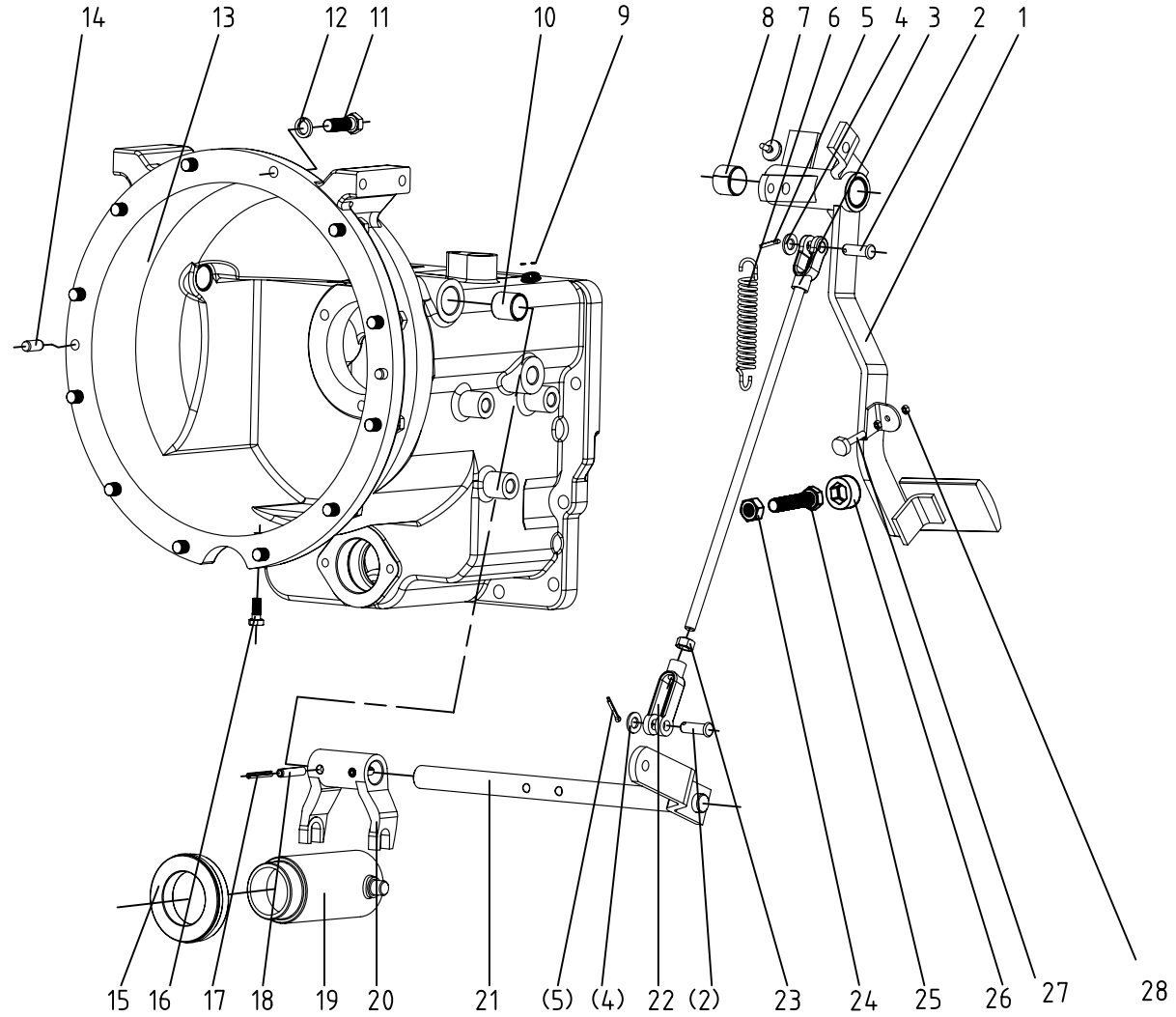
续表

Ser.No.	Part No.	名称及规格	Name & Specifications	Quantity	Remarks
26	550.20.123-1	手油门摇臂	Rocker,Hand throttle	1	
27	GB/T879.1-2000-4×22	销 4×22	Parallel pin 4×22	1	
28	GB/T879.1-2000-6×22	销 6×22	Parallel pin 6×22	1	
29	550.20.015-1	摇臂焊合件	Rocker	1	
30	GB/T91-2000-1.6×12	销 1.6×12	Split pin 1.6×12	5	
31	GB/T97.1-2002-6	垫圈 6	Plain washer 6	4	
32	GB/T882-1986-B6×20	销轴 B6×20	Clevis pin with head B6×20	1	
33	504G3.20.103	支撑板	Support board	1	For outboard air cleaner
34	504G3.20.015	脚油门拉线组合件	Foot throttle wire	1	
35	GB/T845-1985-ST4.2×13	自攻螺钉 ST4.2×13	Bolt ST4.2×13	1	

4.1 离合器总成 (A)

Clutch (A)

504G3-3. 21. 001



4.1 离合器总成 (A) Clutch (A)

Ser.No.	Part No.	名称及规格	Name & Specifications	Quantity	Remarks
1	504G3-3.21.021	离合器踏杆焊合件	Clutch pedal	1	
2	GB/T882-1986-B10×30	销轴 B10×30	Pin shaft B10×30	2	
3	504G3-3.21.014	离合器拉杆焊合件	Release pull-rod	1	
4	GB/T97.1-2002-10	垫圈 10	Plain washer 10	2	
5	GB/T91-2000-3.2×20	销 3.2×20	Split pin 3.2×20	2	
6	504G3.43.103-1	回位弹簧	Return spring	1	
7	504G3.43.101	缓冲垫	Rubber plug	1	
8	504G3.43.135	衬套 (2520)	Bush (2520)	2	
9	JB-FT-CU-12	组合密封垫圈 12	Combined seal washer 12	2	
10	504G3.21.111	离合器轴衬套	Sleeve, clutch shaft	2	
11	GB/T5783-2000-M10×40	螺栓 M10×40	Hex. head bolt M10×40	12	
12	GB/T93-1987-10	垫圈 10	Spring lock washer 10	12	
13	504G3.21.101-1	离合器壳体	Clutch case	1	
14	GB/T119.2-2000-B10×22	销 B10×22	Parallel pin B10×22	2	
15	996911K39-5	分离轴承	Release bearing	1	
16	GB/T5783-2000-M8×20	螺栓 M8×20	Hex. head bolt M8×20	1	
17	GB/T879-2000-5×35	销 5×35	Slotted spring pin 5×35	2	
18	GB/T879-2000-8×35	销 8×35	Slotted spring pin 8×35	2	
19	504G3.21.102	分离轴承座	Release bearing seat	1	
20	304G2.21.104	离合器拨叉	Release fork	1	
21	504G3-3.21.013	分离轴焊合件	Release shaft, clutch	1	
22	300.21A.148	拉杆叉头	Rod clevis	1	
23	GB/T6171-2000-M10×1	螺母 M10×1	Fine thread hex. nut M10×1	1	
24	GB/T6170-2000-M10	螺母 M10	Hex. nut M10	1	
25	GB/T5783-2000-M10×45	螺栓 M10×45	Hex. head bolt M10×45	1	

4.1 离合器总成 (A) Clutch (A)

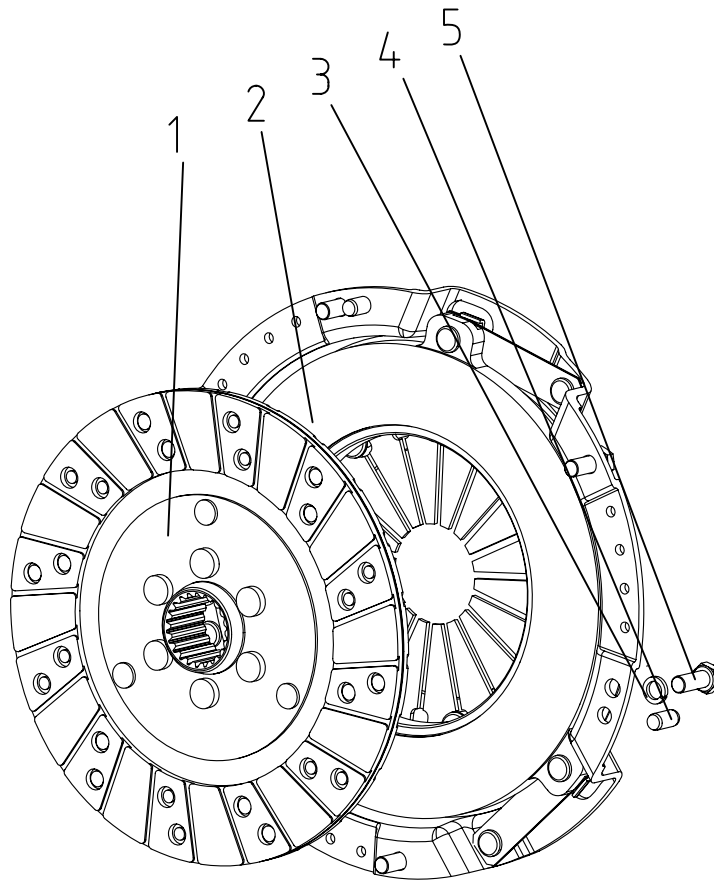
续表

Ser.No.	Part No.	名称及规格	Name & Specifications	Quantity	Remarks
26	504G3.21.103	橡胶垫	Rubber plug	1	
27	300.21C.133	调整螺栓	Adjust bolt	1	
28	GB/T6170-2000-M6	螺母 M6	Hex. nut M6	2	

4.2 离合器总成 (B)

Clutch (B)

504G3-3. 21. 001



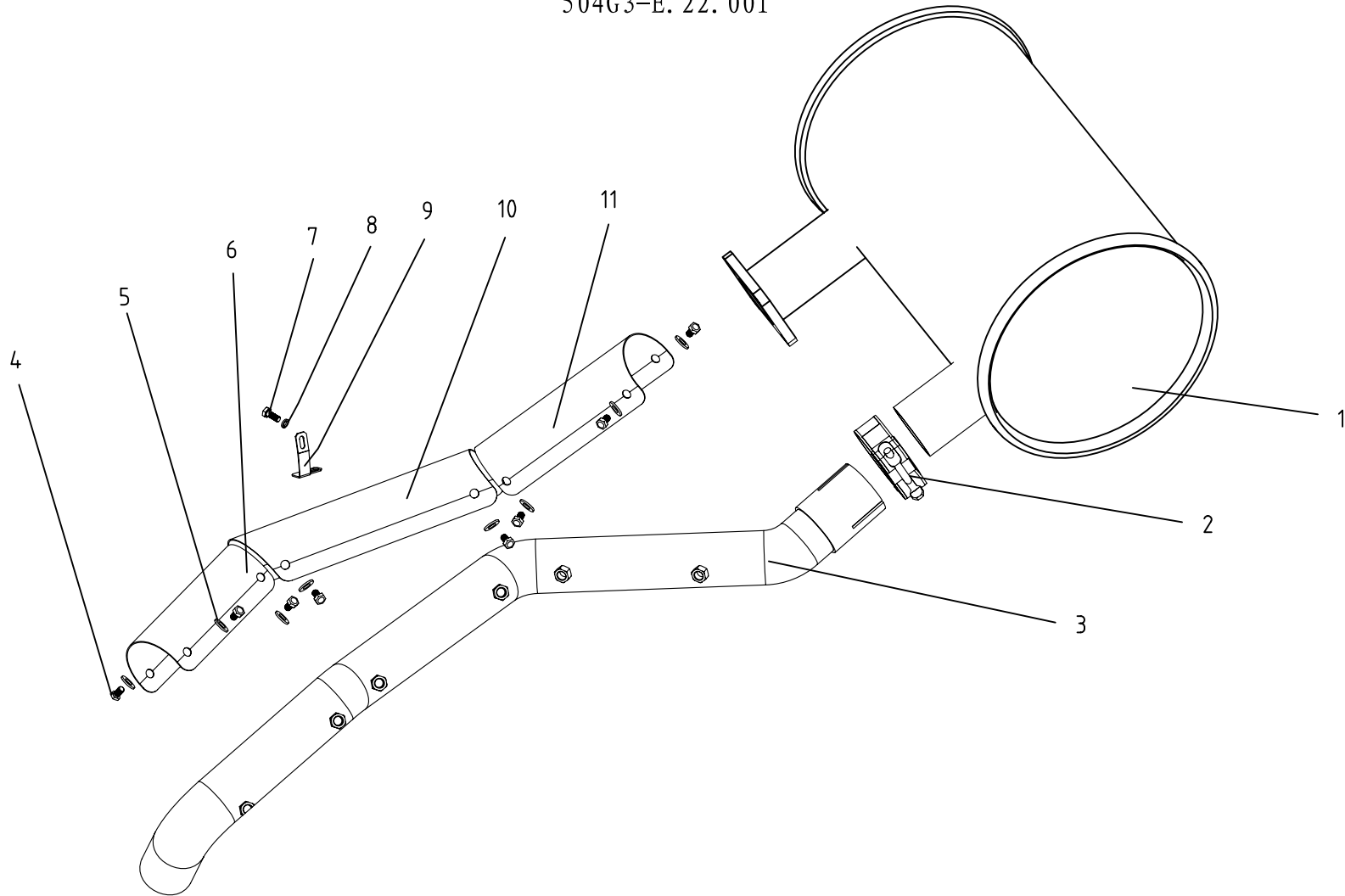
4.2 离合器总成 (B) Clutch (B)

Ser.No.	Part No.	名称及规格	Name & Specifications	Quantity	Remarks
1	504G3.21.012	离合器从动盘总成	Driven plate	1	
2	XL138Y-Z (P2)	离合器压盘及盖总成	Pressure plate & Clutch cover	1	
3	GB/T119.2-2000-B8×20	销 B8×20	Straight pin B8×20	3	
4	GB/T93-1987-8	垫圈 8	Spring lock washer 8	6	
5	GB/T5783-2000-M8×20	螺栓 M8×20	Hex. head bolt M8×20	6	

5 消声器总成

Muffler

504G3-E. 22. 001



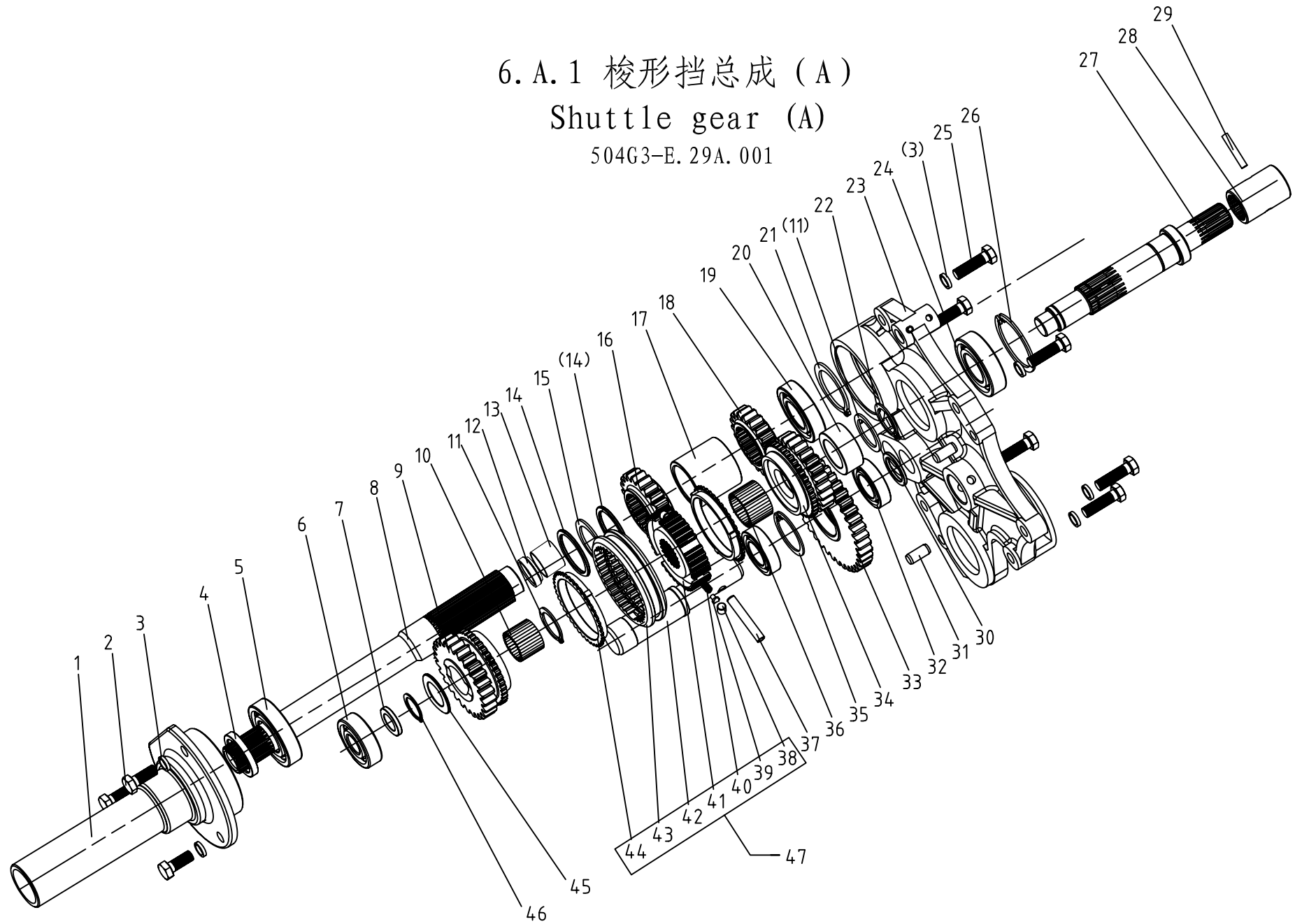
5 消声器总成 Muffler

Ser.No.	Part No.	名称及规格	Name & Specifications	Quantity	Remarks
1	504G3.22.011	消声器组合件	Muffler	1	
2	504G3.22.012	喉箍 52-55	Clip 52-55	1	
3	504G3-E.22.011	排气管焊合件	Exhaust pipe	1	
4	GB/T5783-2000-M8×12	螺栓 M8×12	Flange bolt M8×12	11	
5	GB/T97.1-2002-8	垫圈 8	Plain washer 8	12	
6	504G3.22.102-1	保护网罩(一)	Guarding net 1	1	
7	GB/T5783-2000-M8×16	螺栓 M8×16	Flange bolt M8×16	1	
8	GB/T93-1987-8	垫圈 8	Spring lock washer 8	1	
9	504G3.22.105	排气管固定板	Muffler fixed plate	1	
10	504G3-E.22.101	保护网罩(二)	Guarding net 2	1	
11	504G3-E.22.102	保护网罩(三)	Guarding net 3	1	

6. A. 1 梭形挡总成 (A)

Shuttle gear (A)

504G3-E. 29A. 001



6. A. 1 梭行挡总成 (A) Shuttle gear (A)

Ser.No.	Part No.	名称及规格	Name & Specifications	Quantity	Remarks
1	504G3.29.101	轴承座	Bearing seat	1	
2	GB/T5783-2000-M10×25	螺栓 M10×25	Hex. head bolt M10×25	3	
3	GB/T93-1987-10	垫圈 10	Spring lock washer 10	9	
4	GB/T13871-1992-FB40×55×8	密封圈 FB40×55×8	Oil seal FB40×55×8	1	
5	GB/T276-1994-6208	滚动轴承 6208	Ball bearing 6208	1	
6	GB/T283-1994-NJ304E	滚动轴承 NJ304E	Ball bearing NJ304E	1	
7	504G3.29.117-1	第二轴前隔套	Spacer	1	
8	504G3.29.201	输入轴	Input shaft	1	
9	504G3-E.29.102	前进挡被动齿轮	Driven gear	1	
10	GB/T5846-1986-K25×31×25	轴承 K25×31×25	Needle bearing K25×31×25	1	
11	504G3.63.102	轴用挡圈30	Circlip for shaft 30	2	
12	450.37.177-1	输入轴油封	Input shaft grease seal	1	
13	450.37.175	铜套	Copper bush	1	
14	504G3.29.102	第一轴隔圈	Spacing collar	2	
15	504G3.29.103	挡圈40	Circlip for shaft 40	1	
16	504G3-E.29.101	前进挡主动齿轮	Driving gear	1	
17	504G3.29.105	第一轴隔套	Spacer	1	
18	504G3.29.106	梭行挡主动齿轮 II	Driving gear II	1	
19	GB/T276-1994-6207	滚动轴承 6207	Ball bearing 6207	1	
20	504G3.29.113	第二轴后隔套	Spacer	1	
21	GB/T893.1-1986-72	挡圈 72	Circlip for shaft 72	1	
22	504G3.29.108	第二轴隔圈	Spacing collar	1	
23	504G3.29.107	离合器压板	Clutch pressure plate	1	
24	GB/T276-1994-6206	滚动轴承 6206	Ball bearing 6206	1	
25	GB/T5783-2000-M10×35	螺栓 M10×35	Hex. head bolt M10×35	6	

6. A. 1 梭行挡总成 (A) Shuttle gear (A)

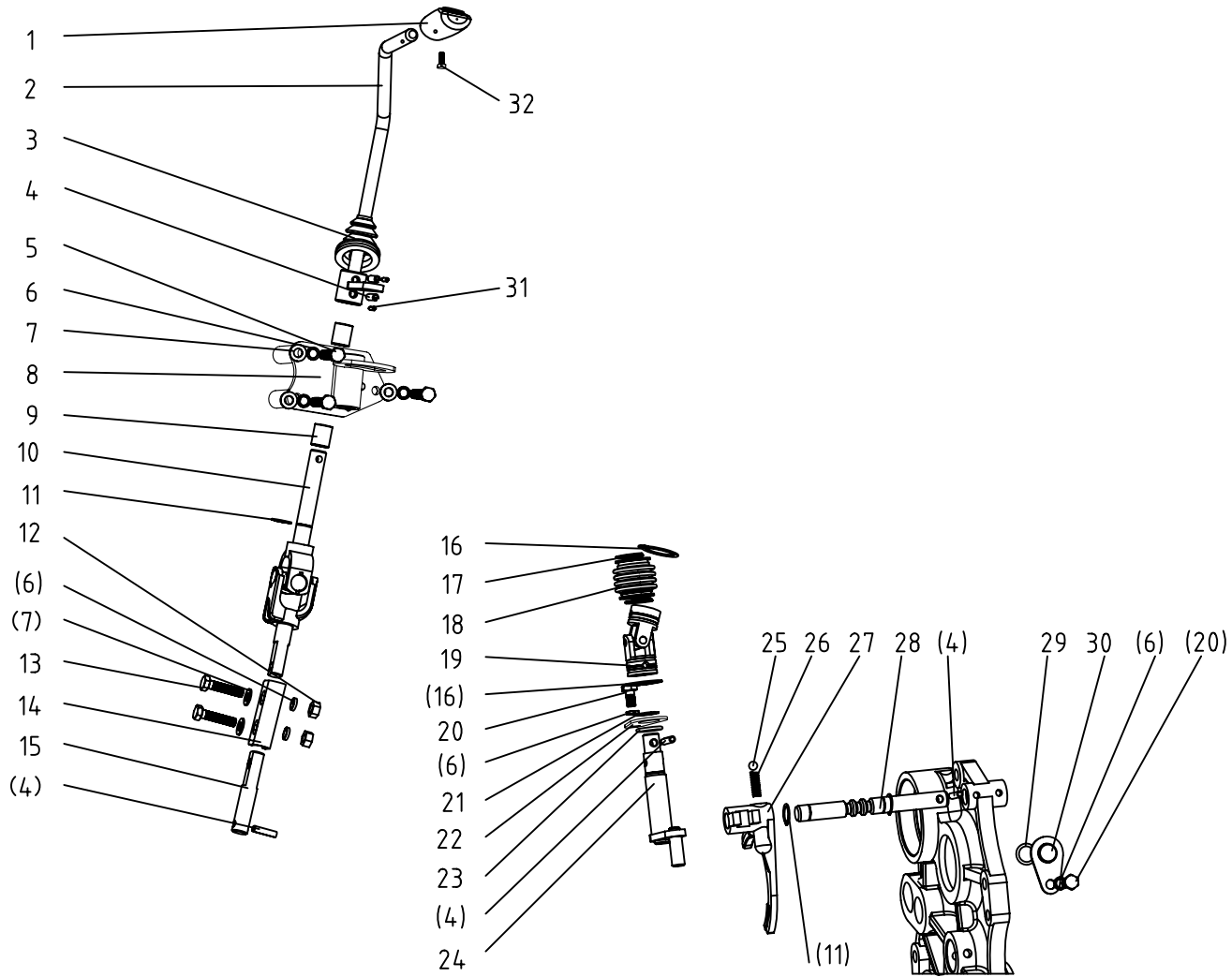
续表

Ser.No.	Part No.	名称及规格	Name & Specifications	Quantity	Remarks
26	GB/T893.1-1986-62	挡圈 62	Circlip for shaft 62	1	
27	504G3.29A.101	第二轴	2nd shaft	1	
28	504G3.29A.102	花键连接套	Splined joint sleeve	1	
29	GB/T879.1-2000-6×36	弹性销 6×36	Dowel pin 6×36	1	
30	504G3.29.110	梭行挡过轮隔圈	Spacing collar	1	
31	GB/T119.1-2000-B10×22	圆柱销 B10×22	Round pin B10×22	2	
32	GB/T276-1994-6005	滚动轴承 6005	Ball bearing 6005	2	
33	504G3.29.111	梭行挡过轮	Gear	1	
34	504G3.29.114	梭行挡被动齿轮 II	Priven gear II	1	
35	GB/T893.1-1986-47	挡圈 47	Circlip for shaft 47	1	
36	GB/T5846-1986-K30×36×25	轴承 K30×36×25	Needle bearing K30×36×25	1	
37	GB/T879.1-2000-8×50	弹性销 8×50	Dowel pin 8×50	1	
38	550-1.37A.117	止销	Stop pin	3	
39	550-1.37A.116	托架	Bracket	3	
40	550-1.37A.115	弹簧	Spring	3	
41	504G3.29.115	同步器齿毂	Hub gear	1	
42	504G3.29.109	梭行挡中间轴	Middle shaft	1	
43	550-1.37A.112	同步器齿套	Hub sleeve	1	
44	550-1.37A.114	同步环	Synthronization ring	2	
45	504G3.29.123	爬行档隔圈	Spacing collar	1	
46	504G3.29.118	挡圈25	Circlip for shaft 25	1	
47	504G3.29.018HW	同步器合件	Synchronizer	1	

6. A. 2 梭形挡总成 (B)

Shuttle gear (B)

504G3-E. 29A. 001



6. A. 2 梭行挡总成 (B) Shuttle gear (B)

Ser.No.	Part No.	名称及规格	Name & Specifications	Quantity	Remarks
1	504G3.29.020	梭行挡操纵手柄	Shift level handle	1	
2	504G3-E.29.019	梭行挡操纵杆焊合件	Shift level	1	
3	504G3.29.131	防尘罩	Dust cap	1	
4	GB/T879.1-2000-6×24	弹性销 6×24	Dowel pin 6×24	2	
5	GB/T5782-2000-M8×60	螺栓 M8×60	Hex. head bolt M8×60	3	
6	GB/T93-1987-8	垫圈 8	Spring lock washer 8	6	
7	GB/T97.1-2002-8	垫圈 8	Plain washer 8	4	
8	504G3-E.29.017	连接支架焊合件	Automotive frame	1	
9	GB/T5846-1986-K15×19×17	滚动轴承 K15×19×17	Needle bearing K15×19×17	2	
10	404G2-6F.37.016	万向节组合件	Gimbal	1	
11	GB/T894.1-1986-15	挡圈 15	Circlip for shaft 15	3	
12	GB/T6170-2000-M8	螺母 M8	Hexagon nut M8	2	
13	GB/T5783-2000-M8×35	螺栓 M8×35	Hex. head bolt M8×35	2	
14	504G3.29.129	调节板	Adjusting plate	1	
15	504G3-3.29.101	连接轴	Joint shaft	1	
16	GB/T894.1-1986-28	挡圈 28	Circlip for shaft 28	2	
17	504G3.29.112	防护套固定钢丝	Circlip for shaft 28	2	
18	504G3.29.127	防护套	Safety cover	1	
19	504G3.29.015	万向节组合件 I	Gimbal I	1	
20	GB/T5783-2000-M8×15	螺栓 M8×15	Hex. head bolt M8×15	2	
21	GB/T894.1-1986-18	挡圈 18	Circlip for shaft 18	1	
22	504G3.37.168	挡板	Baffle	1	
23	GB/T3452.1-1992-20×2.65	O形圈 20×2.65	O-ring seal 20×2.65	1	
24	504G3.29.013	梭行挡拨头焊合件	Sliding block	1	
26	GB/T308-2002-8	钢球 8	Lock ball 8	1	

6. A. 2 梭行挡总成 (B) Shuttle gear (B)

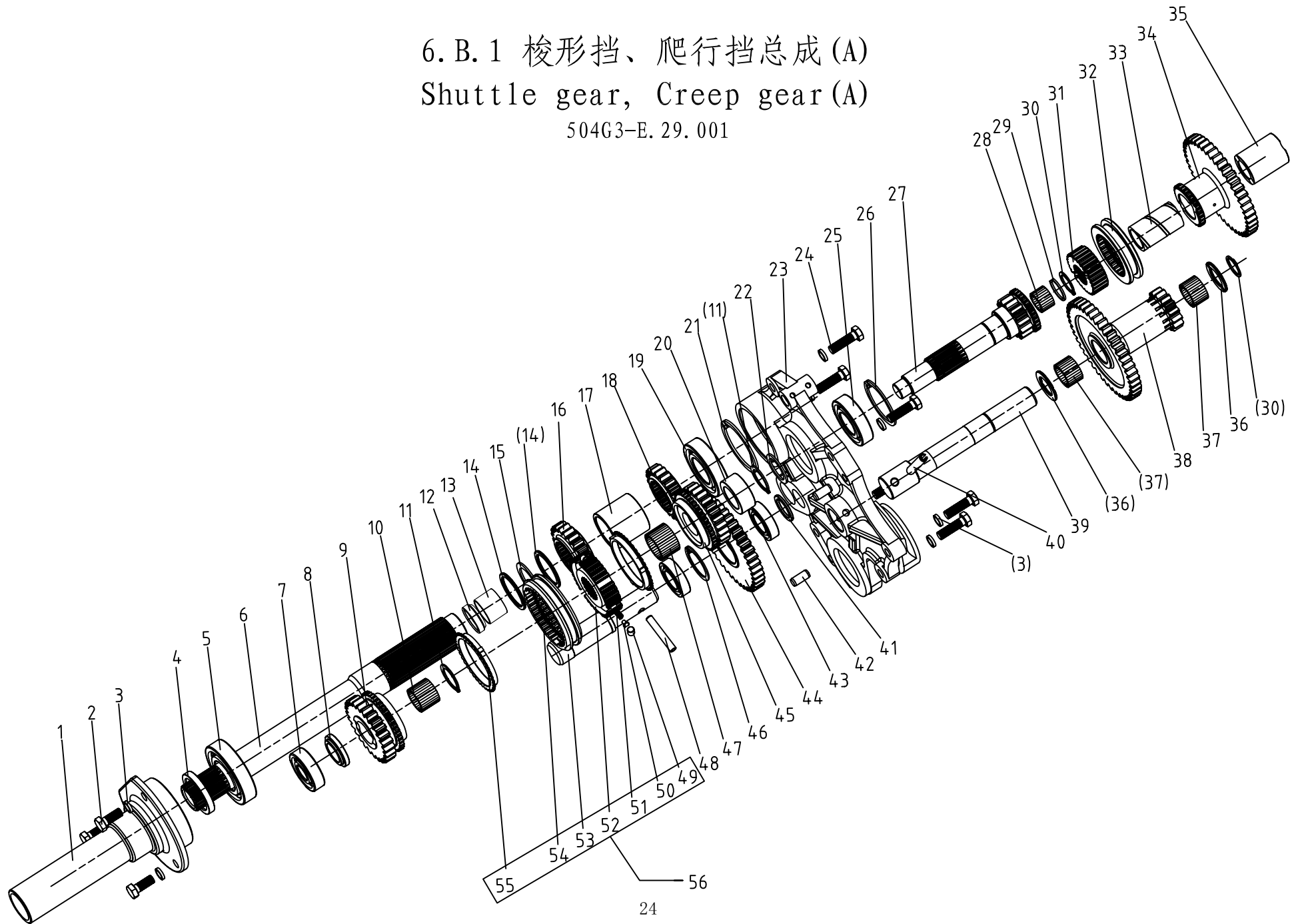
续表

Ser.No.	Part No.	名称及规格	Name & Specifications	Quantity	Remarks
27	254G3.37.163	定位弹簧	Positioning spring	1	
28	504G3.29.126	梭行挡拨叉	Shift fork	1	
29	504G3.29.125-1	梭行挡拨叉轴	Patrol fork shaft	1	
30	GB/T3452.1-1992-15×2.65	O形圈 15×2.65	O-ring seal 15×2.65	1	
31	504G3.29A.011	挡板焊合件	Baffle	1	
32	GB/T879.1-2000-4×24	弹性销 4×24	Dowel pin 4×24	2	
33	GB/T845-1985-ST4.2×13	自攻螺钉 ST4. 2×13	Bolt ST4.2×13	1	

6. B. 1 梭形挡、爬行挡总成 (A)

Shuttle gear, Creep gear (A)

504G3-E. 29. 001



6. B. 1 梭行挡、爬行挡总成(A) Shuttle gear, Creep gear(A)

Ser.No.	Part No.	名称及规格	Name & Specifications	Quantity	Remarks
1	504G3.29.101	轴承座	Bearing seat	1	
2	GB/T5783-2000-M10×25	螺栓 M10×25	Hex. head bolt M10×25	3	
3	GB/T93-1987-10	垫圈 10	Spring lock washer 10	9	
4	GB/T13871.1-2007-FB40×55×8	密封圈 FB40×55×8	Oil seal FB40×55×8	1	
5	GB/T276-1994-6208	滚动轴承 6208	Ball bearing 6208	1	
6	504G3.29.201	输入轴	Input shaft	1	drawing 504G3.41A.001
7	GB/T283-1994-NJ304E	滚动轴承 NJ304E	Ball bearing NJ304E	1	
8	504G3.29.117-1	第二轴前隔套	Spacer	1	
9	504G3-E.29.102	前进挡被动齿轮	Priven gear	1	
10	GB/T5846-1986-K25×31×25	轴承 K25×31×25	Needle bearing K25×31×25	1	
11	504G3.63.102	轴用挡圈30	Circlip for shaft 30	2	
12	450.37.177-1	输入轴油封	Input shaft grease seal	1	drawing 504G3.41A.001
13	450.37.175	铜套	Copper bush	1	drawing 504G3.41A.001
14	504G3.29.102	第一轴隔圈	Spacing collar	2	
15	504G3.29.103	挡圈40	Circlip for shaft 40	1	
16	504G3-E.29.101	前进挡主动齿轮	Driving gear	1	
17	504G3.29.105	第一轴隔套	Spacer	1	
18	504G3.29.106	梭行挡主动齿轮 II	Driving gear II	1	
19	GB/T276-1994-6207	滚动轴承 6207	Ball bearing 6207	1	drawing 504G3.41A.001
20	504G3.29.113	第二轴后隔套	Spacer	1	
21	GB/T893.1-1986-72	挡圈 72	Circlip for shaft 72	1	

6. B. 1 梭行挡、爬行挡总成(A) Shuttle gear, Creep gear(A)

续表

Ser.No.	Part No.	名称及规格	Name & Specifications	Quantity	Remarks
22	504G3.29.108	第二轴隔圈	Spacing collar	1	
23	504G3.29.107	离合器压板	Clutch pressure plate	1	
24	GB/T5783-2000-M10×35	螺栓 M10×35	Hex. head bolt M10×35	6	
25	GB/T276-1994-6206	滚动轴承 6206	Ball bearing 6206	1	
26	GB/T893.1-1986-62	挡圈 62	Circlip for shaft 62	1	
27	504G3.29.012	第二轴焊合件	2nd shaft	1	
28	GB/T5846-1986-K20×26×17	轴承 K20×26×17	Needle bearing K20×26×17	1	
29	504G3.29.138	孔用卡簧26	Circlip for shaft 26	1	
30	504G3.29.118	挡圈25	Circlip for shaft 25	3	
31	254G3.37.108	啮合套座	Splieing sleeve gear seat	1	
32	254G3.37.109	啮合套	Sliding gear	1	
33	504G3.29.119	爬行挡衬套	Bush	1	
34	504G3.29.120	爬行挡齿轮 I	Gear I	1	
35	504G3.29.121	爬行挡隔套	Spacer	1	
36	504G3.29.123	爬行挡隔圈	Spacing collar	3	
37	GB/T5846-1986-K25×31×20	轴承 K25×31×20	Needle bearing K25×31×20	2	
38	504G3.29.124	爬行挡齿轮 II	Gear II	1	
39	504G3.29.122	爬行挡齿轮轴	Gear shaft	1	
40	GB/T879.1-2000-8×45	销8×45	Dowel pin 8×45	1	
41	504G3.29.110	梭行挡过轮隔圈	Spacing collar	1	
42	GB/T119.2-2000-B10×22	销B10×22	Round pin B10×22	2	
43	GB/T276-1994-6005	滚动轴承6005	Ball bearing 6005	2	
44	504G3.29.111	梭行挡过轮	Gear	1	
45	504G3.29.114	梭行挡被动齿轮 II	Priven gear II	1	

6. B. 1 梭行挡、爬行挡总成(A) Shuttle gear, Creep gear(A)

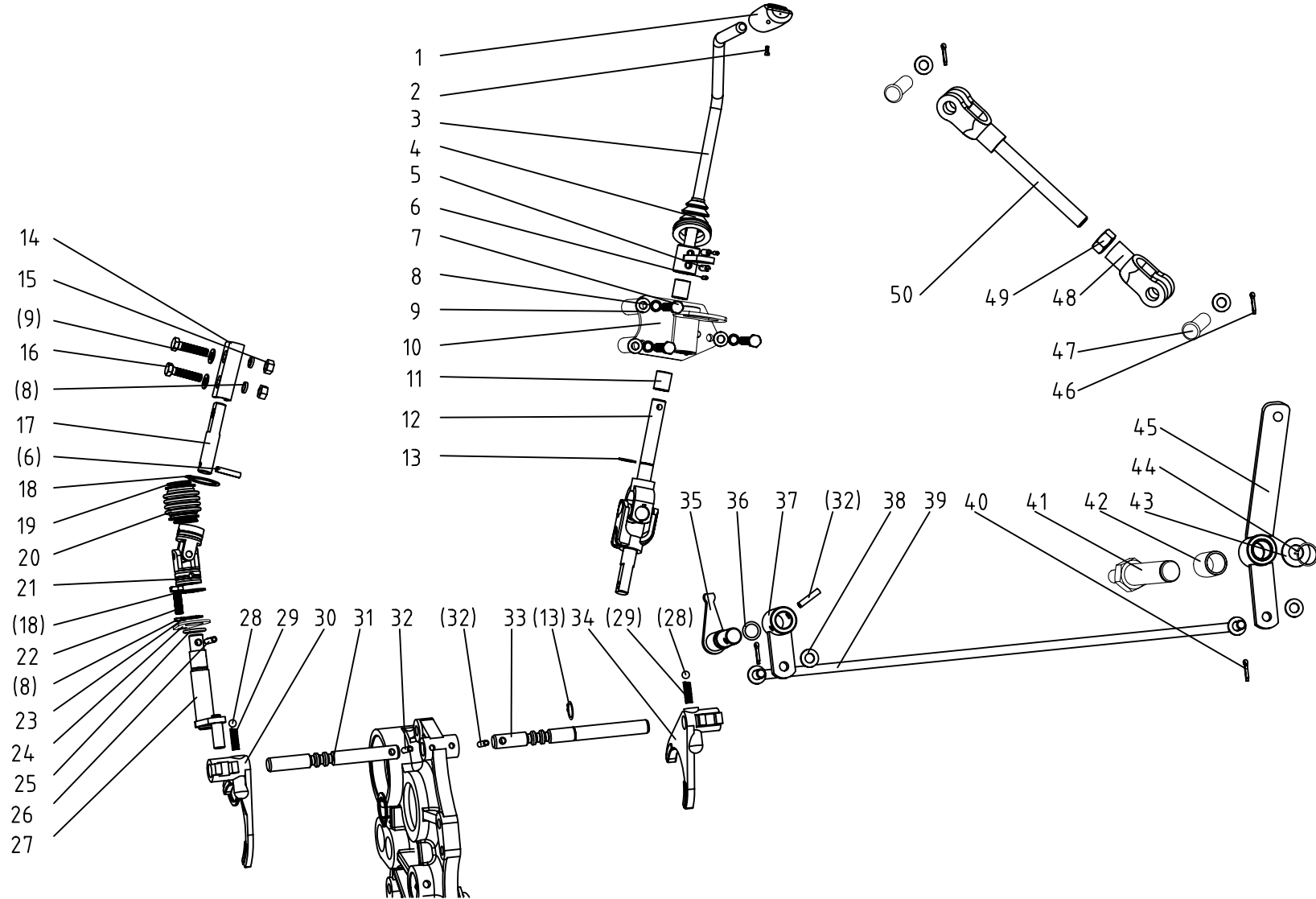
续表

Ser.No.	Part No.	名称及规格	Name & Specifications	Quantity	Remarks
46	GB/T893.1-1986-47	挡圈 47	Circlip for shaft 47	1	
47	GB/T5846-1986-K30×36×25	轴承 K30×36×25	Needle bearing K30×36×25	1	
48	GB/T879.1-2000-8×50	销 8×50	Dowel pin 8×50	1	
49	550-1.37A.117	止销	Stop pin	3	
50	550-1.37A.116	托架	Bracket	3	
51	550-1.37A.115	弹簧	Spring	3	
52	504G3.29.115	同步器齿毂	Hub gear	1	
53	504G3.29.109	梭行挡中间轴	Middle shaft	1	
54	550-1.37A.112	同步器齿套	Hub sleeve	1	
55	550-1.37A.114	同步环	Synthronization ring	2	
56	504G3.29.018HW	同步器合件	Synchronizer	1	

6. B. 2 梭形挡、爬行挡总成 (B)

Shuttle gear, Creep gear (B)

504G3-E. 29. 001



6. B. 2 梭行挡、爬行挡总成(B) Shuttle gear, Creep gear(B)

Ser.No.	Part No.	名称及规格	Name & Specifications	Quantity	Remarks
1	504G3.29.020	梭行挡操纵手柄	Shift level handle	1	
2	GB/T 845-1985-ST4.2×13	自攻螺钉 ST4. 2×13	Bolt ST4.2×13	1	
3	504G3-E.29.019	梭行挡操纵杆焊合件	Shift level	1	
4	504G3.29.131	防尘罩	Dust cap	1	
5	GB/T879.1-2000-6×24	销 6×24	Dowel pin 6×24	2	
6	GB/T879.1-2000-4×24	销 4×24	Dowel pin 4×24	2	
7	GB/T5783-2000-M8×60	螺栓 M8×60	Hex. head bolt M8×60	3	
8	GB/T93-1987-8	垫圈 8	Spring lock washer 8	6	
9	GB/T97.1-2002-8	垫圈 8	Plain washer 8	4	
10	504G3-E.29.017	连接支架焊合件	Automotive frame	1	
11	GB/T5846-1986-K15×19×17	滚动轴承 K15×19×17	Needle bearing K15×19×17	2	
12	404G2-6F.37.016	万向节组合件	Gimbal	1	
13	GB/T894.1-1986-15	挡圈 15	Circlip for shaft 15	4	
14	504G3.29.129	调节板	Adjusting plate	1	
15	GB/T6170-2000-M8	螺母 M8	Hexagon nut M8	2	
16	GB/T5783-2000-M8×35	螺栓 M8×35	Hex. head bolt M8×35	2	
17	504G3-3.29.101	连接轴	Joint shaft	1	
18	GB/T894.1-1986-28	挡圈 28	Circlip for shaft 28	2	
19	504G3.29.112	防护套固定钢丝	Circlip for shaft 28	2	
20	504G3.29.127	防护套	Safety cover	1	
21	504G3.29.015	万向节组合件 I	Gimbal I	1	
22	GB/T5783-2000-M8×16	螺栓 M8×16	Hex. head bolt M8×16	2	
23	GB/T894.1-1986-18	挡圈 18	Circlip for shaft 18	1	
24	504G3.37.168	挡板	Baffle	2	
25	GB/T3452.1-1992-20×2.65	O形圈 20×2.65	O-ring seal 20×2.65	1	

6. B. 2 梭行挡、爬行挡总成(B) Shuttle gear, Creep gear (B)

续表

Ser.No.	Part No.	名称及规格	Name & Specifications	Quantity	Remarks
26	GB/T879.1-2000-6×26	销 6×26	Dowel pin 6×26	2	
27	504G3.29.013	梭行挡拨头焊合件	Sliding block	1	
28	GB/T308-2002-8	钢球 8	Lock ball 8	2	
29	254G3.37.163	定位弹簧	Positioning spring	2	
30	504G3.29.126	梭行挡拨叉	Shift fork	1	
31	504G3.29.125-1	梭行挡拨叉轴	Patrol fork shaft	1	
32	GB/T879.1-2000-6×28	销 6×28	Dowel pin 6×28	3	
33	504G3.29.134	爬行挡拨叉轴	Patrol fork shaft	1	
34	504G3.29.133	爬行挡拨叉	Shift fork	1	
35	504G3.29.023	爬行挡拨头焊接件	Sliding block	1	
36	GB/T3452.1-1992-15×2.65	O形圈 15×2.65	O-ring seal 15×2.65	1	
37	504G3.29.022	摇臂焊接件	Rocker	1	
38	GB/T97.1-2002-10	垫圈 10	Washer 10	4	
39	504G3.29.024	拉杆焊接件	Pull rod weldment	1	
40	GB/T91-2000-3.2×14	销 3.2×14	Split pin 3.2×14	2	
41	504G3.37.154	副变速操纵支座	Operating lever back shaft	1	
42	504G3.43.115	衬套 (2030)	Bush (2030)	2	
43	GB/T97.1-2002-20	垫圈 20	Washer 20	1	
44	GB/T894.1-1986-20	挡圈 20	Circlip for shaft 20	1	
45	504G3-3.29.012	爬行档曲柄焊合件	Operating lever	1	
46	GB/T91-2000-3.2×25	销 3.2×25	Split pin 3.2×25	2	
47	GB/T882-1986-B10×30	销轴 B10×30	Clevis pin with head B10×30	2	
48	254G2.43.102	拉杆叉	Draw rod fork	1	
49	GB/T6170-2000-M10	螺母 M10	Hexagon nut M10	1	

6. B. 2 梭行挡、爬行挡总成(B) Shuttle gear, Creep gear (B)

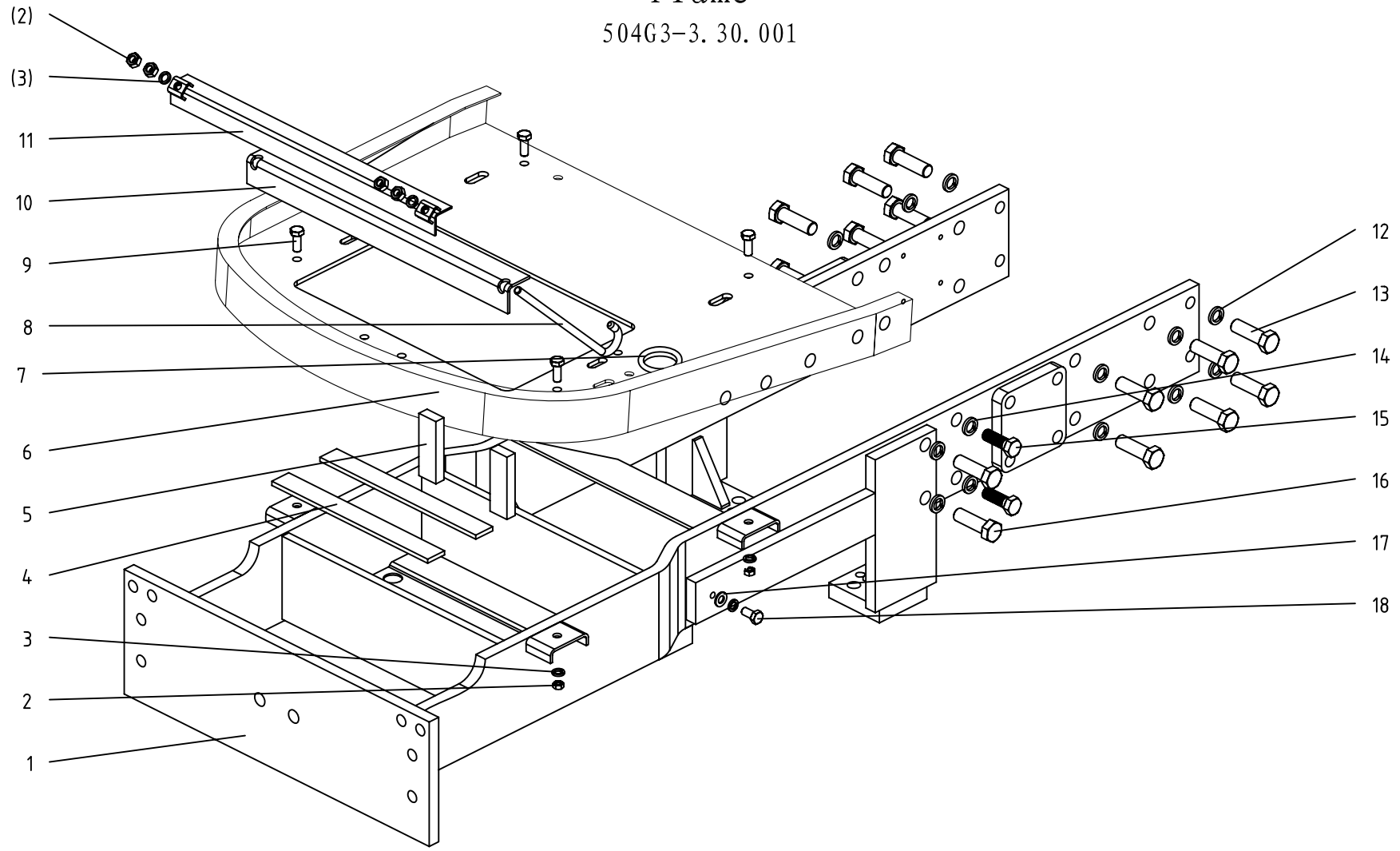
续表

Ser.No.	Part No.	名称及规格	Name & Specifications	Quantity	Remarks
50	504G3.37.090	拉杆焊合件	Pull rod weldment	1	

7 机架总成

Frame

504G3-3. 30. 001

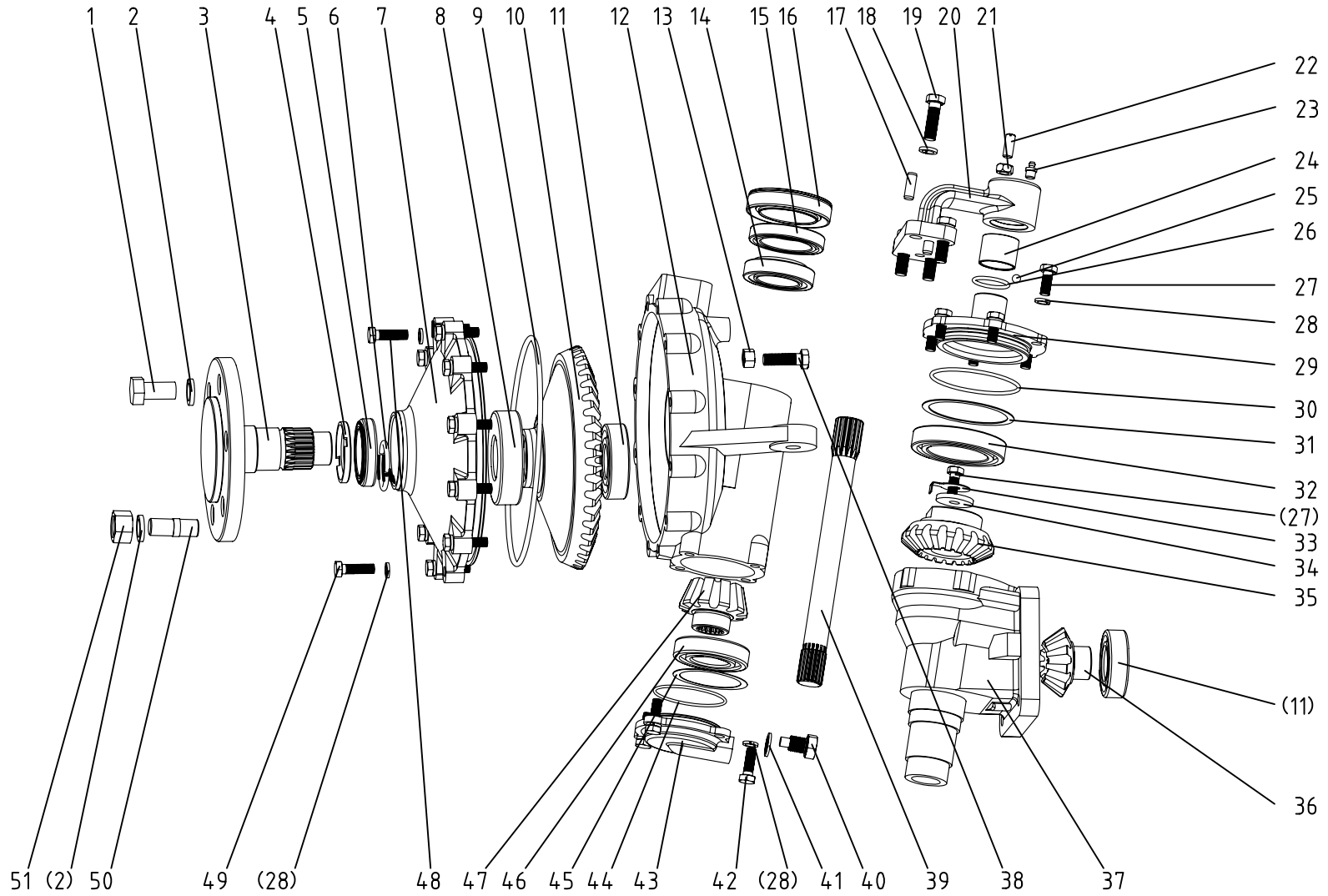


7 机架总成 Frame

Ser.No.	Part No.	名称及规格	Name & Specifications	Quantity	Remarks
1	504G3.30.011	机架焊合件	Frame	1	
2	GB/T6170-2000-M8	螺母 M8	Hex. nut M8	8	
3	GB/T93-1987-8	垫圈 8	Spring Lock washer 8	9	
4	504G3.30.103	橡胶垫2	Cushion 2	2	
5	504G3.30.104	橡胶垫1	Cushion 1	2	
6	504G3-3.30.013	前盖板焊合件	Front cover board assy	1	
7	550-1.47.104	电瓶线护圈	Battery line guard	2	
8	504G3.30.102	电瓶螺杆	Battery clamping boit	2	
9	GB/T5783-2000-M8×20	螺栓 M8×20	Hex.head bolt M8×20	4	
10	504G3.30.101	压箍胶垫	Rubber pad,battery	1	
11	504G3.30.012	电瓶压箍焊合件	Battery clamping plate assy	1	
12	GB/T93-1987-14	垫圈 14	Spring Lock washer 14	16	
13	GB/T5783-2000-M14×35	螺栓 M14×35	Hex.head bolt M14×35	12	
14	GB/T93-1987-12	垫圈 12	Spring Lock washer 12	4	
15	GB/T5783-2000-M12×35	螺栓 M12×35	Hex.head bolt M12×35	4	
16	GB/T5782-2000-M14×50	螺栓 M14×50	Hex.head bolt M14×50	4	
17	GB/T97.1-2002-8	垫圈 8	Plain washer 8	3	
18	GB/T5783-2000-M8×16	螺栓 M8×16	Hex.head bolt M8×16	1	

8.1 前驱动桥总成(左边减速) Front Drive Axle (Left Side-Slowdown)

504G3. 31. 001



8.1 前驱动桥总成 (左边减速) Front Wheel Drive Axle (Left Side-Slowdown)

Ser.No.	Part No.	名称及规格	Name & Specifications	Quantity	Remarks
1	GB/T5786-2000-M18×1.5×35	螺栓 M18×1.5×35	hex. head bolt M18×1.5×35	4	
2	GB/T93-1987-18	垫圈 18	Spring lock washer 18	6	
3	504G3.31.101	驱动轴	Drive shaft	1	
4	504G3.31.127-1	油封挡圈	Oil seal blocking ring	1	
5	404-9.31.111	防泥水油封MC50×72×15/12	Guard against turbid oil-seal MC50×72×15/12	1	
6	304.31.102-2	驱动轴固定圈	Fixing ring of drive shaft	2	
7	504G3.31.102-1	驱动轴盖	Drive shaft cover	1	
8	GB/T276-1994-6309	轴承 6309	Ball bearing 6309	1	
9	GB/T3452.1-1992-236×5.3	O形圈 236×5.3	O-ring seal 236×5.3	1	
10	504G3.31.117	末减速被动齿轮	Driven bevel gear of final drive	1	
11	GB/T276-1994-6307	轴承 6307	Ball bearing 6307	2	
12	504G3.31.122	左边减速壳体	Left final drive housing	1	
13	GB/T6170-2000-M12	螺母 M12	Hex. thin slotted nut M12	1	
14	GB/T276-1994-32009	轴承 32009	Ball bearing 32009	1	
15	GB/T276-1994-61911	轴承 61911	Ball bearing 61911	1	
16	504G3.31.123	防泥水油封MC60×90×20/14	Guard against turbid oil-seal MC60×90×20/14	1	
17	GB/T119.1-2000-B10×28	销 B10×28	Straight pin B10×28	2	
18	GB/T93-1987-12	垫圈 12	Spring lock washer 12	4	
19	GB/T5783-2000-M12×40	螺栓 M12×40	Hex. head bolt M12×40	4	
20	504G3.31.201	转向臂	Steering arm	1	
21	GB/T6171-2000-M10×1	螺母 M10×1	Hex. thin slotted nut M10×1	1	
22	504.31.144	紧钉螺钉 M10×1	Lockbolt M10×1	1	
23	JB/T7940.2-1995-M8×1	油杯 M8×1	Grease cup M8×1	1	
24	304.31.202-1	联接转向臂衬套	Steering arm bushing	1	
25	GB/T308-2002-8.7312G200b	钢球 8.7312G200b	Stillball 8.7312G200b	1	11/32''

8.1 前驱动桥总成（左边减速）Front Wheel Drive Axle（Left Side-Slowdown）

续表

Ser.No.	Part No.	名称及规格	Name & Specifications	Quantity	Remarks
26	GB/T3452.1-1992-34.5×2.65	O形圈 34.5×2.65	O-ring seal 34.5×2.65	1	
27	GB/T5783-2000-M10×25	螺栓 M10×25	Hex. head bolt M10×25	6	
28	GB/T93-1987-10	垫圈 10	Spring lock washer 10	22	
29	504G3.31.107	上轴承盖	Upper bearing cover	1	
30	GB/T3452.1-1992-92.5×3.55	O形圈 92.5×3.55	O-ring seal 92.5×3.55	1	
31	554.31C.147	调整垫片	Adjusting shims	demand	
32	GB/T276-1994-6013	轴承 6013	Ball bearing 6013	1	
33	304.31.138	锁紧垫片	Lock washer	1	
34	304.31.110-1	立轴挡圈	Blocking ring of upright shaft	1	
35	504G3.31.108	中间传动被动齿轮	Driven bevel gear of the first drive	1	
36	504G3.31.109	中间传动主动齿轮	Driving bevel gear of the first drive	1	
37	504G3.31.104-1	立轴套管	Upright shaft housing	1	
38	GB/T5783-2000-M12×30	螺栓 M12×30	Hex. head bolt M12×30	1	
39	504G3.31.106-1	立轴	Upright shaft	1	
40	200.38.024	放油螺塞总成	Oil drain plug	1	
41	JB-FT-CU-16	组合铜垫圈16	Combined seal washer 16	1	
42	GB/T5783-2000-M10×30	螺栓 M10×30	Hex. head bolt M10×30	4	
43	504G3.31.118	下轴承盖	Lower bearing cover	1	
44	GB/T3452.1-1992-75×2.65	O形圈 75×2.65	O-ring seal 75×2.65	1	
45	850-2.39.112/113/114	调整垫片	Adjusting shims	demand	
46	GB/T276-1994-6208	轴承 6208	Ball bearing 6208	1	
47	504G3.31.120	末减速主动齿轮	Driving bevel gear of final drive	1	
48	GB/T5783-2000-M10×40	螺栓 M10×40	Hex. head bolt M10×40	11	
49	GB/T5783-2000-M10×35	螺栓 M10×35	Hex. head bolt M10×35	1	

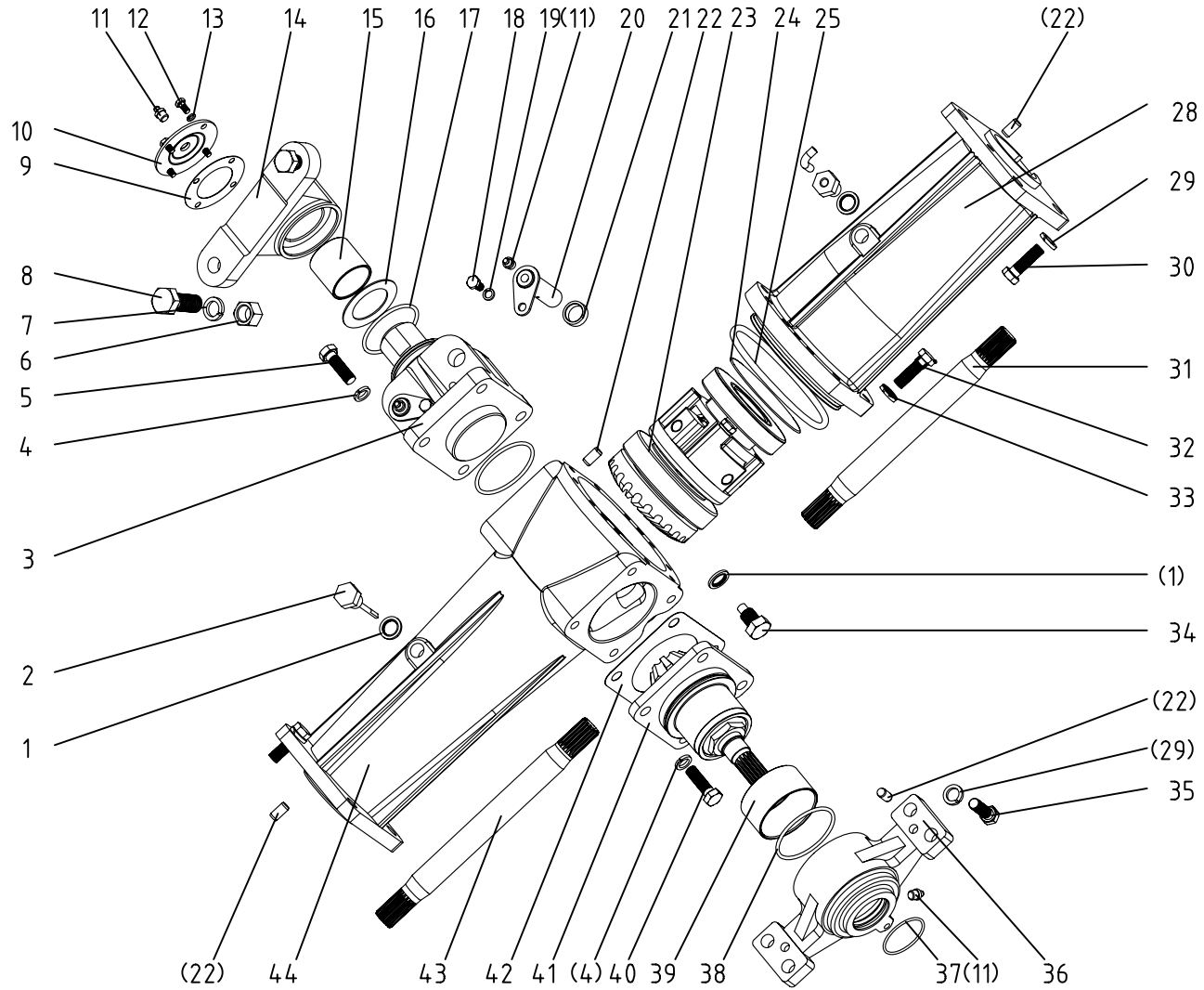
8.1 前驱动桥总成（左边减速）Front Wheel Drive Axle（Left Side-Slowdown）

续表

Ser.No.	Part No.	名称及规格	Name & Specifications	Quantity	Remarks
50	304.31.179	螺柱	Double screw bolt	2	M18×1.5×52-20
51	GB/T6176-2000-M18×1.5	螺母 M18×1.5	Hex. nut M18×1.5	2	

8.2 前驱动桥总成(中) Front Drive Axles (Middle)

504G3. 31. 001



8.2 前驱动桥总成(中) Front Wheel Drive Axle (middle)

Ser.No.	Part No.	名称及规格	Name & Specifications	Quantity	Remarks
1	JB-FT-CU-16	组合铜垫圈16	Combined seal washer 16	3	
2	304.31.013-1	量油尺合件	Oil dipstick	1	
3	504G3.31.121	油缸支座	Cylinder pedestal	1	
4	GB/T93-1987-12	垫圈 12	Spring lock washer 12	8	
5	GB/T5786-2000-M12×1.5×40	螺栓 M12×1.5×40	Hex. head bolt M12×1.5×40	4	
6	GB/T6170-2000-M16	螺母 M16	Hex. nut M16	2	
7	GB/T93-1987-16	垫圈 16	Spring lock washer 16	2	
8	GB/T27-1988-M16×65	螺栓 M16×65	Hex. head bolt M16×65	2	
9	304.31.122	端盖垫片	End cover gasket	1	
10	304.31.019	前支座端盖组合件	End cover of front pedestal	1	
11	JB/T7940.1-1995-M10×1	油杯 M10×1	Grease cup M10×1	4	
12	GB/T5783-2000-M6×12	螺栓 M6×12	Hex. head bolt M6×12	4	
13	GB/T93-1987-6	垫圈 6	Spring lock washer 6	4	
14	504G3.31.207	前支座	Front pedestal	1	
15	304.31.219-1	前支座衬套	Front pedestal bush	1	
16	304.31.123-1	前摆轴垫片	Shims for front swing axle	demand	
17	GB/T3452.1-1992-65×2.65	O型圈 65×2.65	O-ring seal 65×2.65	1	
18	GB/T5783-2000-M8×16	螺栓 M8×16	Hex. Head bolt M8×16	2	
19	GB/T93-1987-8	垫圈 8	Spring lock washer 8	2	
20	504G3.31.013	销轴焊合件	Pin shaft	2	
21	504G3.31.125	隔套	Spacer	2	
22	GB/T119.1-2000-B10×20	销 B10×20	Straight pin B10×20	5	
23	504G3.31.012	差速器总成	Differential assembly	1	
24	504G3.31.130/131/132	被动圆锥齿轮调整垫片	Tab for driven bevel gear	demand	
25	GB/T3452.1-1992-132×2.65	O型圈 132×2.65	O-ring seal 132×2.65	1	

8.2 前驱动桥总成(中) Front Wheel Drive Axle (middle)

续表

Ser.No.	Part No.	名称及规格	Name & Specifications	Quantity	Remarks
26	304.31.119-1	通气管	Vent pipe	1	
27	304.31.118-1	通气螺塞	Vent plug	1	
28	504G3.31.112	右半轴套管	Right half shaft housing	1	
29	GB/T93-1987-14	垫圈 14	Spring lock washer 14	12	
30	GB/T5786-2000-M14×1.5×40	螺栓M14×1.5×40	Hex. Head bolt M14×1.5×40	8	
31	504G3.31.114	右半轴	Right half shaft	1	
32	GB/T5783-2000-M10×40	螺栓 M10×40	Hex. head bolt M10×40	10	
33	GB/T93-1987-10	垫圈 10	Spring lock washer 10	10	
34	200.38.024	放油螺塞总成	Oil drain plug	1	
35	GB/T5783-2000-M14×45	螺栓 M14×45	Hex. head bolt M14×45	4	
36	504G3.31.212	后支座	Rear pedestal	1	
37	GB/T3452.1-1992-45×2.65	O型圈 45×2.65	O-ring seal 45×2.65	1	
38	GB/T3452.1-1992-69×2.65	O型圈 69×2.65	O-ring seal 69×2.65	1	
39	304.31.221-1	后支座衬套	Rear pedestal bush	1	
40	GB/T5786-2000-M12×1.5×30	螺栓 M12×1.5×30	Hex. head bolt M12×1.5×30	4	
41	504G3.31.016	主动锥齿轮总成	Bevel drive pinion assembly	1	
42	504G3.31.140/141/142	轴承座垫片	Shims for bearing seat	demand	
43	504G3.31.111	左半轴	Left half shaft	1	
44	504G3.31.110	左半轴套管	Left half shaft housing	1	

8.3 前驱动桥总成 (右边减速) Front Wheel Drive Axle (Right Side-Slowdown)

Ser.No.	Part No.	名称及规格	Name & Specifications	Quantity	Remarks
1	504G3.31.104-1	立轴套管	Upright shaft housing	1	
2	504G3.31.109	中间传动主动齿轮	Driving bevel gear of the first drive	1	
3	GB/T276-1994-6307	轴承 6307	Ball bearing 6307	2	
4	504G3.31.108	中间传动被动齿轮	Driven bevel gear of the first drive	1	
5	GB/T276-1994-6013	轴承 6013	Ball bearing 6013	1	
6	554.31C.147	调整垫片	Adjusting shims	demand	
7	304.31.110-1	立轴挡圈	Blocking ring of upright shaft	1	
8	304.31.138	锁紧垫片	Lock washer	1	
9	GB/T5783-2000-M10×25	螺栓 M10×25	Hex. head bolt M10×25	6	
10	GB/T3452.1-1992-92.5×3.55	O形圈 92.5×3.55	O-ring seal 92.5×3.55	1	
11	GB/T93-1987-10	垫圈 10	Spring lock washer 10	22	
12	504G3.31.107	上轴承盖	Upper bearing cover	1	
13	GB/T3452.1-1992-34.5×2.65	O型圈 34.5×2.65	O-ring seal 34.5×2.65	1	
14	GB/T308-2002-8.7312G200b	钢球 8.7312G200b	Stillball 8.7312G200b	1	11/32''
15	304.31.202-1	联接转向臂衬套	Steering arm bushing	1	
16	504G3.31.201	转向臂	Steering arm	1	
17	GB/T6171-2000-M10×1	螺母 M10×1	Hex. thin slotted nut M10×1	1	
18	JB/T7940.1-1995-M8×1	油杯 M8×1	Grease cup M8×1	1	
19	504.31.144	紧钉螺钉 M10×1	Lockbolt M10×1	1	
20	GB/T119.1-2000-B10×28	销 B10×28	Straight pin B10×28	2	
21	GB/T93-1987-12	垫圈 12	Spring lock washer 12	4	
22	GB/T5783-2000-M12×40	螺栓 M12×40	Hex. head bolt M12×40	4	
23	504G3.31.123	防泥水油封MC60×90×20/14	Guard against turbid oil-seal MC60×90×	1	
24	GB/T276-1994-61911	轴承 61911	Ball bearing 61911	1	
25	GB/T276-1994-32009	轴承 32009	Ball bearing 32009	1	

8.3 前驱动桥总成 (右边减速) Front Wheel Drive Axle (Right Side-Slowdown)

续表

Ser.No.	Part No.	名称及规格	Name & Specifications	Quantity	Remarks
26	GB/T6170-2000-M12	螺母 M12	Hex. thin slotted nut M12	1	
27	504G3.31.116	右边减速壳体	Right final drive housing	1	
28	504G3.31.117	末减速被动齿轮	Driven bevel gear of final drive	1	
29	GB/T3452.1-1992-236×5.3	O形圈 236×5.3	O-ring seal 236×5.3	1	
30	GB/T276-1994-6309	轴承 6309	Ball bearing 6309	1	
31	504G3.31.102-1	驱动轴盖	Drive shaft cover	1	
32	GB/T5783-2000-M10×40	螺栓 M10×40	Hex. head bolt M10×40	11	
33	304.31.102-2	驱动轴固定圈	Fixing ring of drive shaft	2	
34	404-9.31.111	防泥水油封MC50×72×15/12	Guard against turbid oil-seal MC50×72×	1	
35	504G3.31.127-1	油封挡圈	Blocking ring	1	
36	GB/T93-1987-18	垫圈 18	Spring lock washer 18	6	
37	GB/T5786-2000-M18×1.5×35	螺栓 M18×1.5×35	hex. head bolt M18×1.5×35	4	
38	504G3.31.101	驱动轴	Drive shaft	1	
39	304.31.179	螺柱	Double screw bolt	2	M18×1.5×52-20
40	GB/T6176-2000-M18×1.5	螺母 M18×1.5	Hex. nut M18×1.5	2	
41	504G3.31.021	拉杆接头总成(右)	Linkage ball joint (Right)	1	
42	GB/T9459-1988-M14×1.5	螺母 M14×1.5	Hex. thin slotted nut M14×1.5	2	
43	GB/T91-2000-3.2×24	销 3.2×24	Split pin 3.2×24	2	
44	GB/T6173-2000-M18×1.5	螺母 M18×1.5	Hex.thin nut M18×1.5	demand	
45	GB/T5783-2000-M10×35	螺栓 M10×35	Hex. head bolt M10×35	1	
46	504G3.31.208	横拉杆	Steering tie rod	1	
47	GB/T6173-2000-M18×1.5-L	螺母 M18×1.5-左	Hex.thin nut M18×1.5-Left	1	
48	504G3.31.020	拉杆接头总成(左)	Linkage ball joint (Left)	1	
49	GB/T5783-2000-M10×30	螺栓 M10×30	Hex. head bolt M10×30	4	

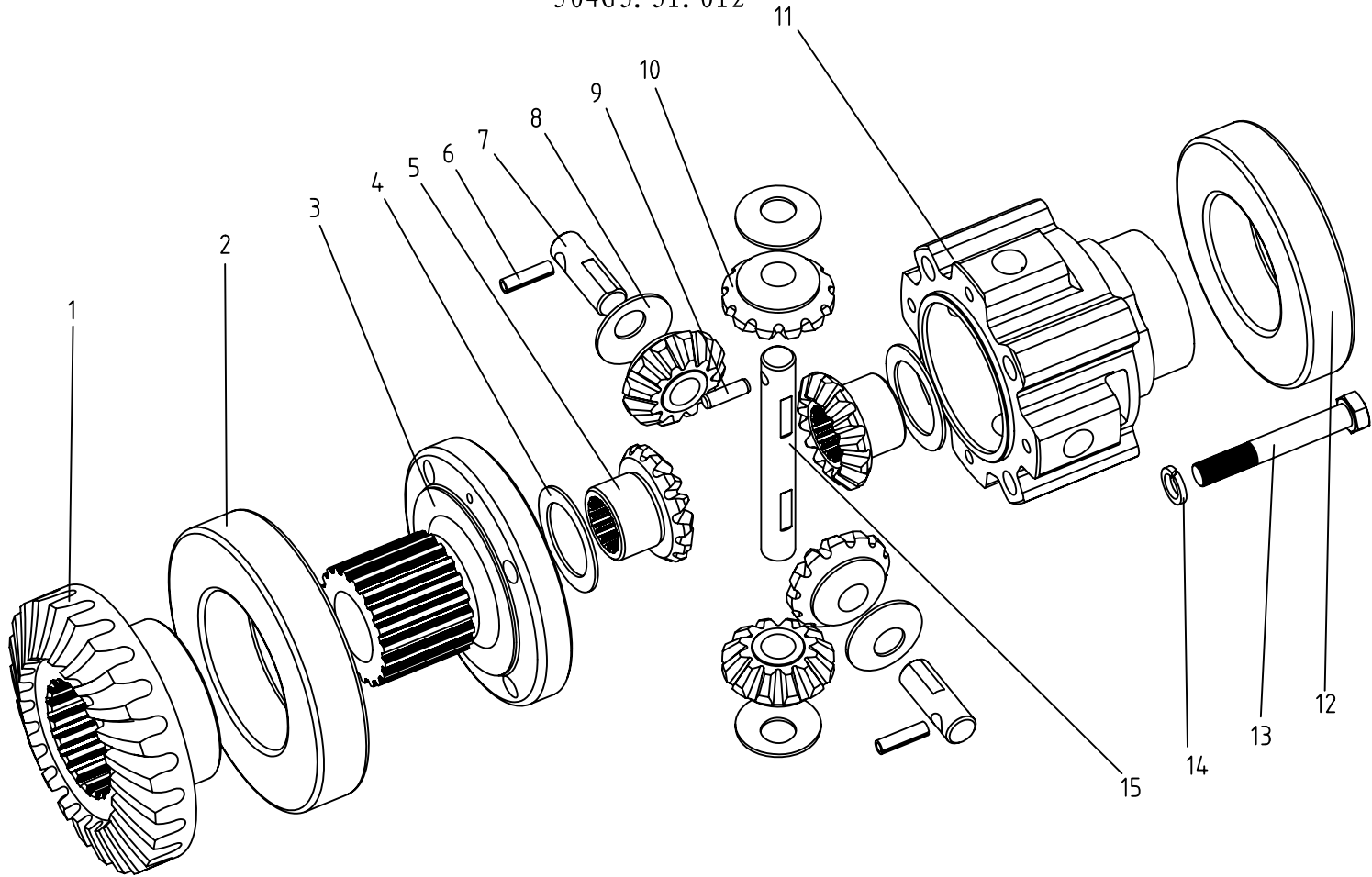
8.3 前驱动桥总成（右边减速）Front Wheel Drive Axle (Right Side-Slowdown)

续表

Ser.No.	Part No.	名称及规格	Name & Specifications	Quantity	Remarks
50	504G3.31.118	下轴承盖	Lower bearing cover	1	
51	GB/T3452.1-1992-75×2.65	O形圈 75×2.65	O-ring seal 75×2.65	1	
52	850-2.39.112/113/114	调整垫片	Adjusting shims	demand	
53	GB/T276-1994-6208	轴承 6208	Ball bearing 6208	1	
54	JB-FT-CU-16	组合铜垫圈16	Combined seal washer 16	1	
55	200.38.024	放油螺塞总成	Oil drain plug	1	
56	504G3.31.120	末减速主动齿轮	Driving bevel gear of final drive	1	
57	504G3.31.106-1	立轴	Upright shaft	1	
58	GB/T5783-2000-M12×30	螺栓 M12×30	Hex. head bolt M12×30	1	

8.4 前驱动桥总成 (504G3. 31. 012 部件)
Front Drive Wheel Axle (504G3. 31. 012 Assembly)

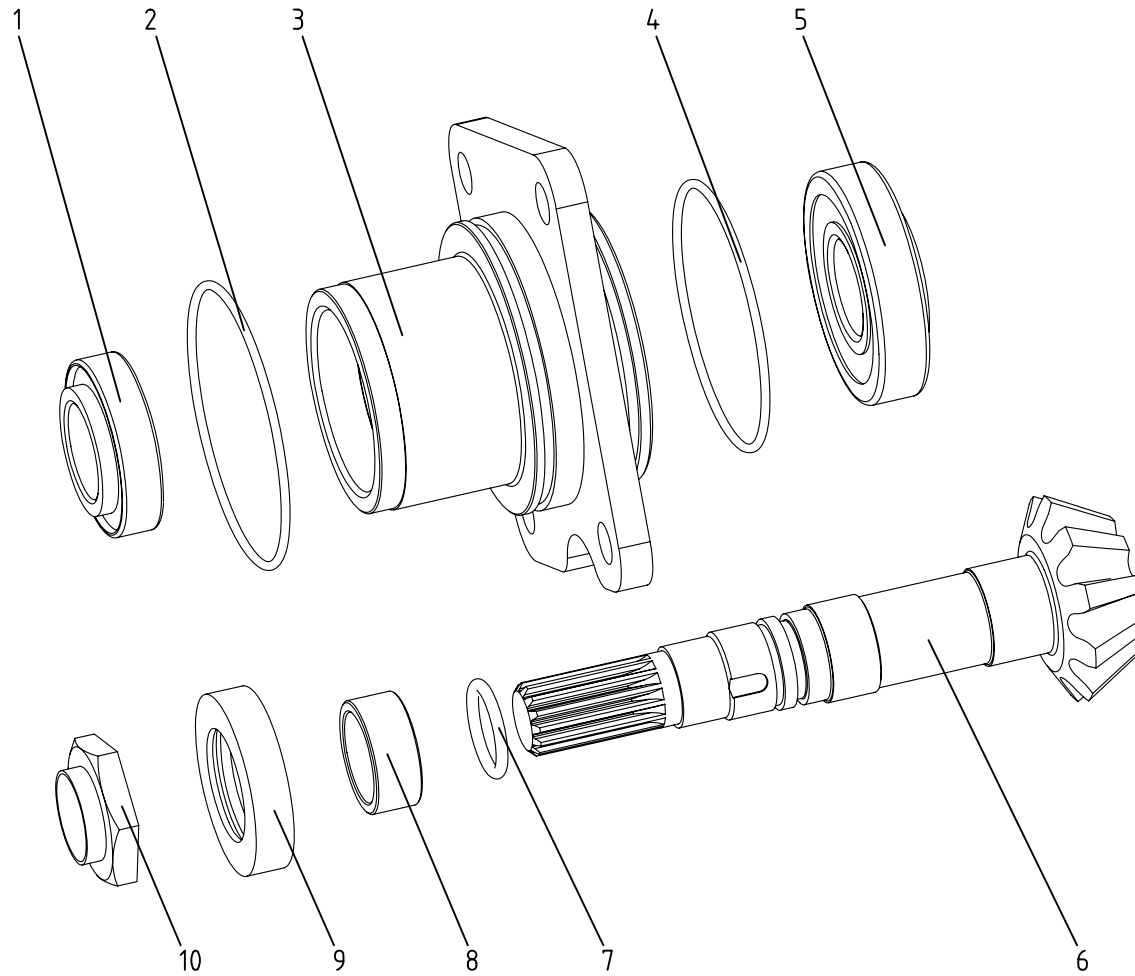
504G3. 31. 012



8.4 前驱动桥总成 (504G3.31.012部件) Front Wheel Drive Axle (504G3.31.012 Assembly)

Ser.No.	Part No.	名称及规格	Name & Specifications	Quantity	Remarks
1	504G3.31.202	被动圆锥齿轮	Crown gear	1	
2	GB/T276-1994-6214	轴承6214	Taper roller bearing 6214	1	
3	504G3.31.203	左差速器壳体	Left differential housing	1	
4	304.31.210A-1	半轴齿轮垫圈	Half shaft gear washer	2	
5	304.31.211A	差速器半轴齿轮	Half shaft gear	2	
6	GB/T879.1-2000-6×24	销6×24	Pin 6×24	2	
7	504G3.31.214	行星齿轮短轴	Planet gear short shaft	2	
8	304.31.209A-1	行星齿轮垫圈	Planet gear washer	4	
9	GB/T119.1-2000-B6×32	销 B6×32	Straight pin B6×32	1	
10	304.31.205A	差速器行星齿轮	Planet gear	4	
11	504G3.31.204	右差速器壳体	Right differential housing	1	
12	GB/T276-1994-6212	轴承6212	Taper roller bearing 6212	1	
13	GB/T5785-2000-M10×1×70	螺栓 M10×1×70	Hex. head bolt M10×1×70	4	
14	GB/T93-1987-10	垫圈 10	Spring lock washer 10	4	
15	504G3.31.215	行星齿轮长轴	Planet gear long shaft	1	

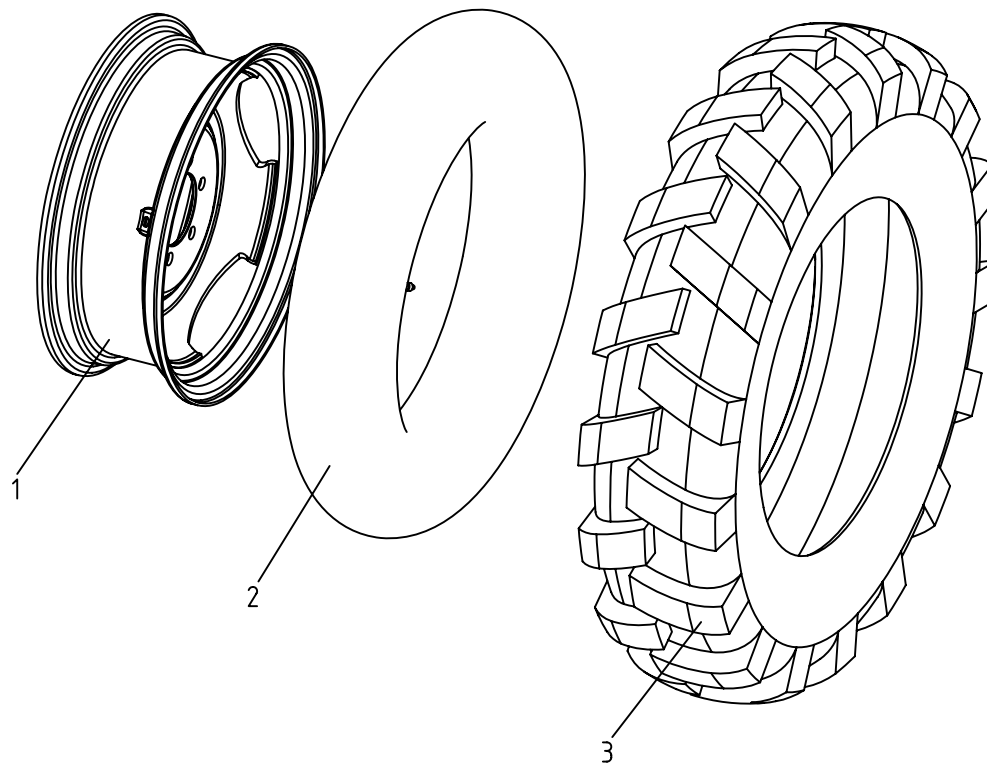
8.5 前驱动桥总成 (504G3. 31. 016部件)
Front Drive Axle (504G3. 31. 016 Assembly)
504G3. 31. 016



8.5 前驱动桥总成 (504G3.31.016部件) Front Wheel Drive Axle (504G3.31.016 Assembly)

Ser.No.	Part No.	名称及规格	Name & Specifications	Quantity	Remarks
1	GB/T297-1994-32006	轴承 32006	Taper roller bearing 32006	1	
2	GB/T3452.1-1992-85×2.65	O形圈 85×2.65	O-ring seal 85×2.65	1	
3	504G3.31.210	主动锥齿轮轴承座	Bearing seat	1	
4	GB/T3452.1-1992-80×2.65	O形圈 80×2.65	O-ring seal 80×2.65	1	
5	GB/T297-1994-31306	轴承 31306	Taper roller bearing 31306	1	
6	504G3.31.211	主动圆锥齿轮	Bevel drive pinion	1	
7	GB/T3452.1-1992-23.6×2.65	O形圈 23.6×2.65	O-ring seal 23.6×2.65	1	
8	304.31.225-1	主动锥齿轮油封座圈	Oil-seal seat	1	
9	HG4-692-1967-SD35×56×12	油封 SD35×56×12	Oil-seal SD35×56×12	1	
10	504G3.31.209	锁紧螺母	Locknut	1	

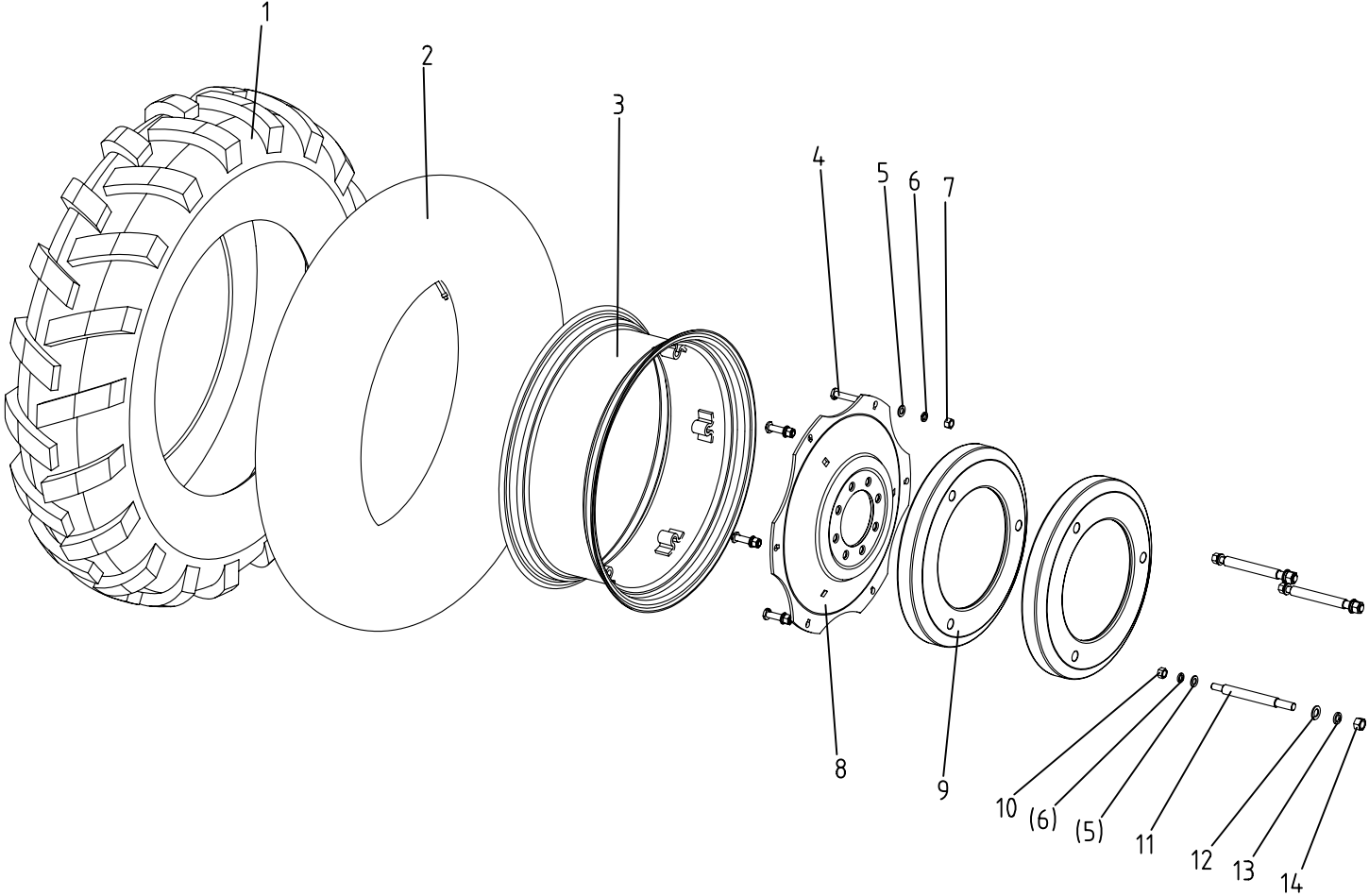
9 前驱动轮总成
Front Drive Wheel (8.3-20)
454J.32C.001



9 前驱动轮总成 Front Wheel (8.3-20)

Ser.No.	Part No.	名称及规格	Name & Specifications	Quantity	Remarks
1	454J.32C.011	轮辋总成 (W7×20)	Front wheel rim	1	
2	GB/T2979-2008-8.3-20	8.3-20 内胎	Tube 8.3-20	1	
3	GB/T2979-2008-8.3-20	8.3-20 外胎	Tire 8.3-20	1	

10 驱动轮总成
Drive Wheel (12.4-28)
504G3. 34. 001



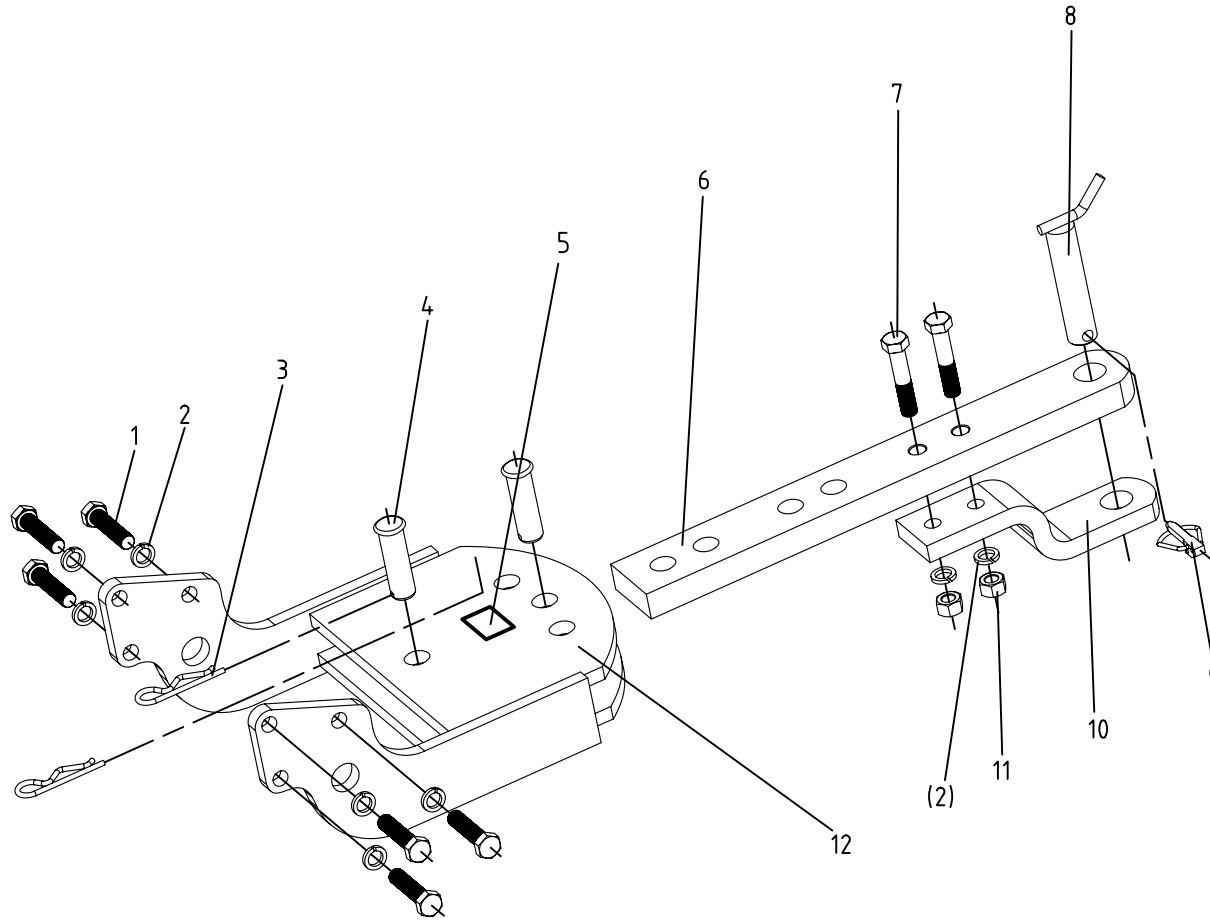
10 驱动轮总成 Drive Wheel (12.4-28)

Ser.No.	Part No.	名称及规格	Name & Specifications	Quantity	Remarks
1	GB/T2979-1991-12.4-28	12.4-28外胎	12.4-28 shoe	1	
2	GB/T2979-1991-12.4-28	12.4-28内胎	12.4-28 inner tube	1	
3	504G3.34.011	轮辋总成	Driving wheel rim	1	
4	450.34.101	轮辋螺栓	Attachment bolt	6	
5	GB/T97.1-2002-16	垫圈 16	plain washer 16	9	
6	GB/T93-1987-16	垫圈 16	Spring lock washer 16	9	
7	GB/T6171-2000-M16×1.5	螺母 M16×1.5	Fine thread hex. Nut M16×1.5	6	
8	450.34.104	幅板	Wheel disc	1	
9	450.34.103-1	配重	Rear wheel ballast	2	Optional
10	GB/T6170-2000-M16	螺母 M16	Hex. Nut M16	3	
11	504G3.34.102	配重螺栓	Ballast bolt	3	
12	GB/T97.1-2002-20	垫圈 20	plain washer 20	3	
13	GB/T93-1987-20	垫圈 20	Spring lock washer 20	3	
14	GB/T6170-2000-M20	螺母 M20	Hex. Nut M20	3	

11. A 牵引装置总成

Drawbar

504G3.53.001



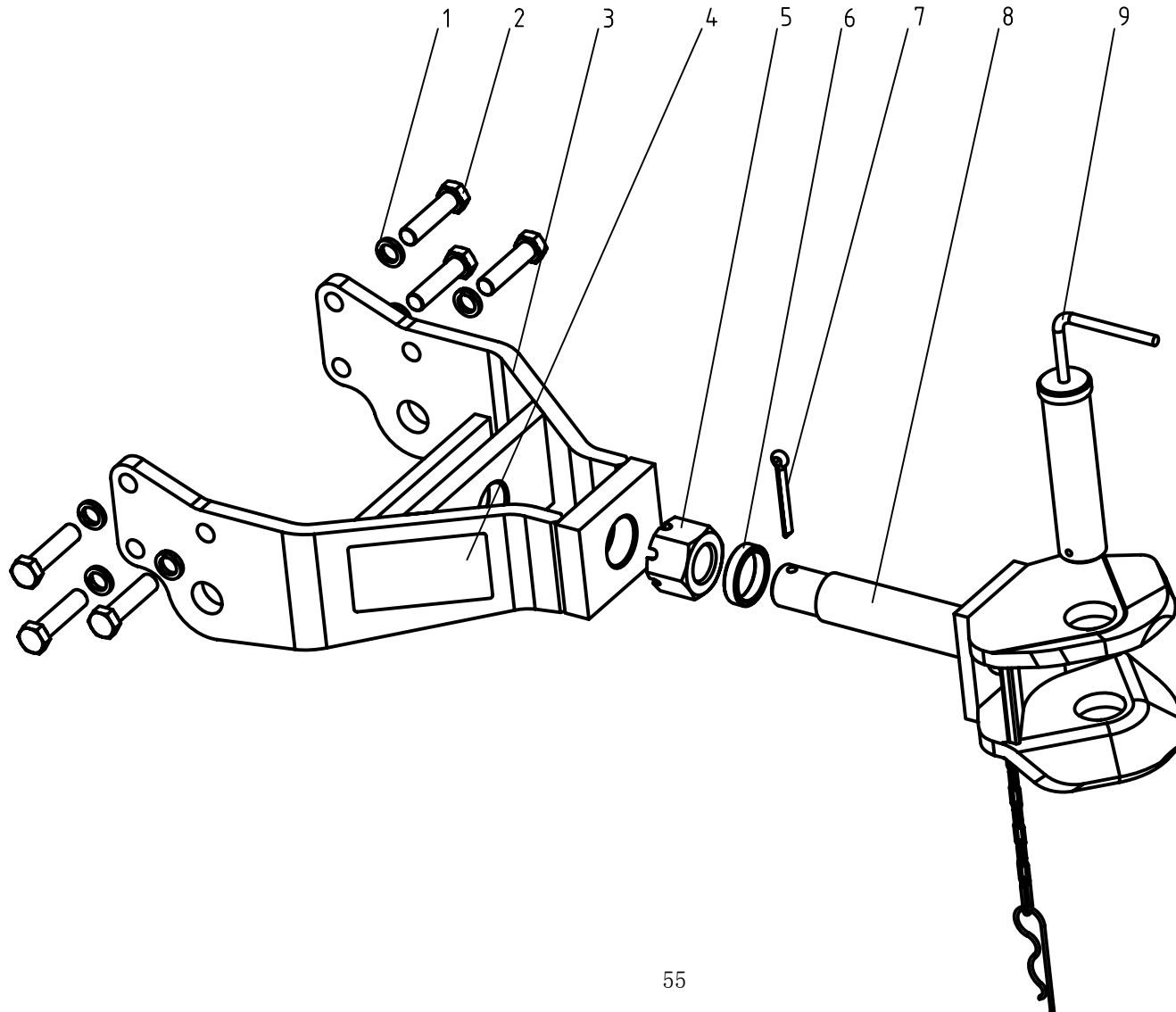
11. A 牵引装置总成 Drawbar

Ser.No.	Part No.	名称及规格	Name & Specifications	Quantity	Remarks
1	GB/T5783-2000-M16×65	螺栓 M16×65	Hex.head bolt M14×65	6	
2	GB/T93-1987-16	垫圈 16	Spring washer 16	8	
3	300.53.102	牵引R销	R-pin	2	
4	GB/T882-1986-B25×80	销轴 B25×80	Pin B25x80	2	
5	504G3.53.103	牵引装置E-mark证号标贴	E-mark labeling	1	
6	450.53.103	牵引板	Drawbar rod	1	
7	GB/T5782-2000-M16×75	螺栓 M16×75	Hex.head bolt M16×75	2	
8	300.53.011	销轴焊合件	Hitch pin	1	
9	200.56.011	锁销组合件	Lock pin	1	
10	300.53.104-1	牵引卡	Drawbar clip	1	
11	GB/T6170-2000-M16	螺母 M16	Hex.Nut M16	2	
12	504G3.53.011	牵引装置焊合件	Drawbar frame	1	

11. B 拖挂装置总成

Clevis type

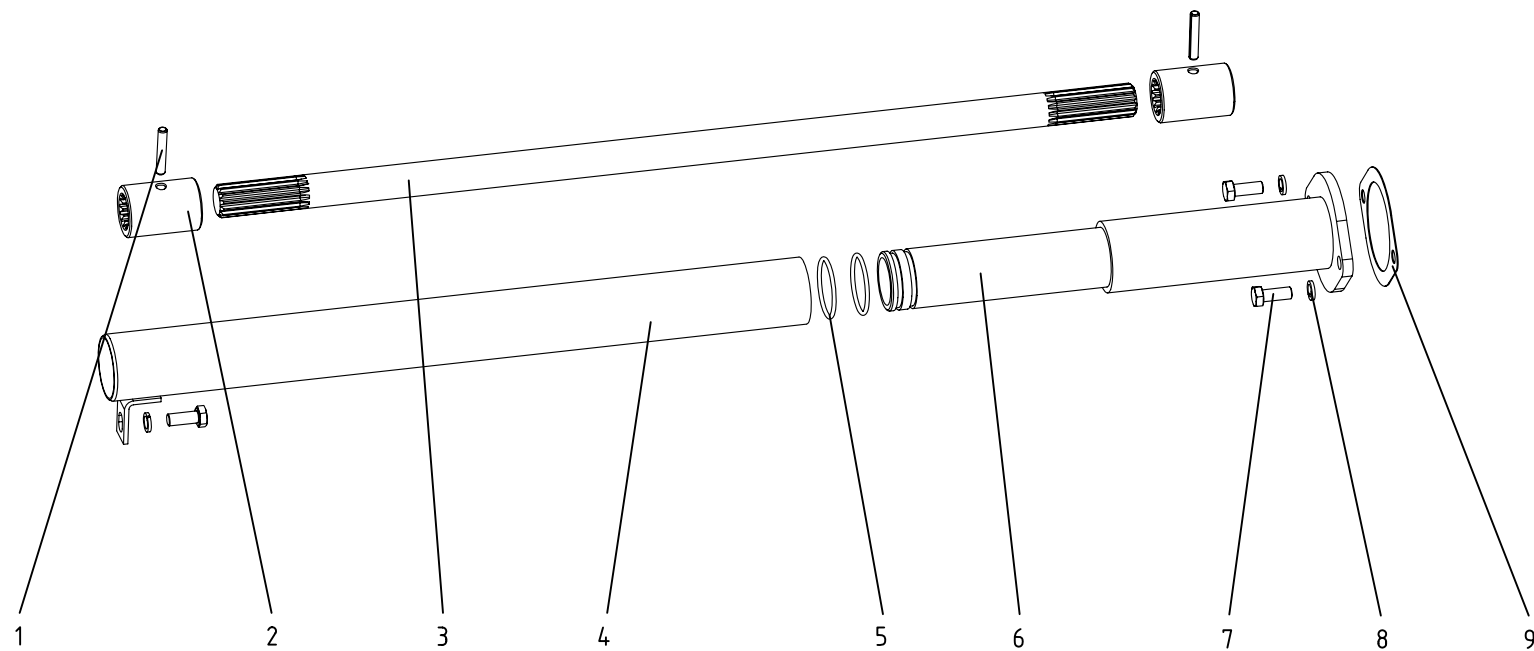
504G3.35B.001



11. B 拖挂装置总成 Clevis Type

Ser.No.	Part No.	名称及规格	Name & Specifications	Quantity	Remarks
1	GB/T93-1987-16	垫圈16	Spring lock washer 16	6	
2	GB/T5782-2000-M16×65	螺栓M16×65	Hex.bolt M16×65	6	
3	504G3.35B.011	固定架焊合件	Fixed yoke weldment	1	
4	504G3.35B.115	拖挂装置E-mark证号标贴	E-mark labeling	1	
5	GB/T6178-2000-M36	螺母M36	Hexagon slotted nut M16	1	
6	300-6.35B.101	套筒	Sleeve	1	
7	GB/T91-1986-8×60	销8×60	Split pin 8×60	1	
8	300-6.35B.013	联接架焊合件	Draw bail weldment	1	
9	300-6.35.018	插销焊合件(二)	Bolt weldment	1	

12 传动轴总成
The transmission shaft assembly
504G3. 36. 001



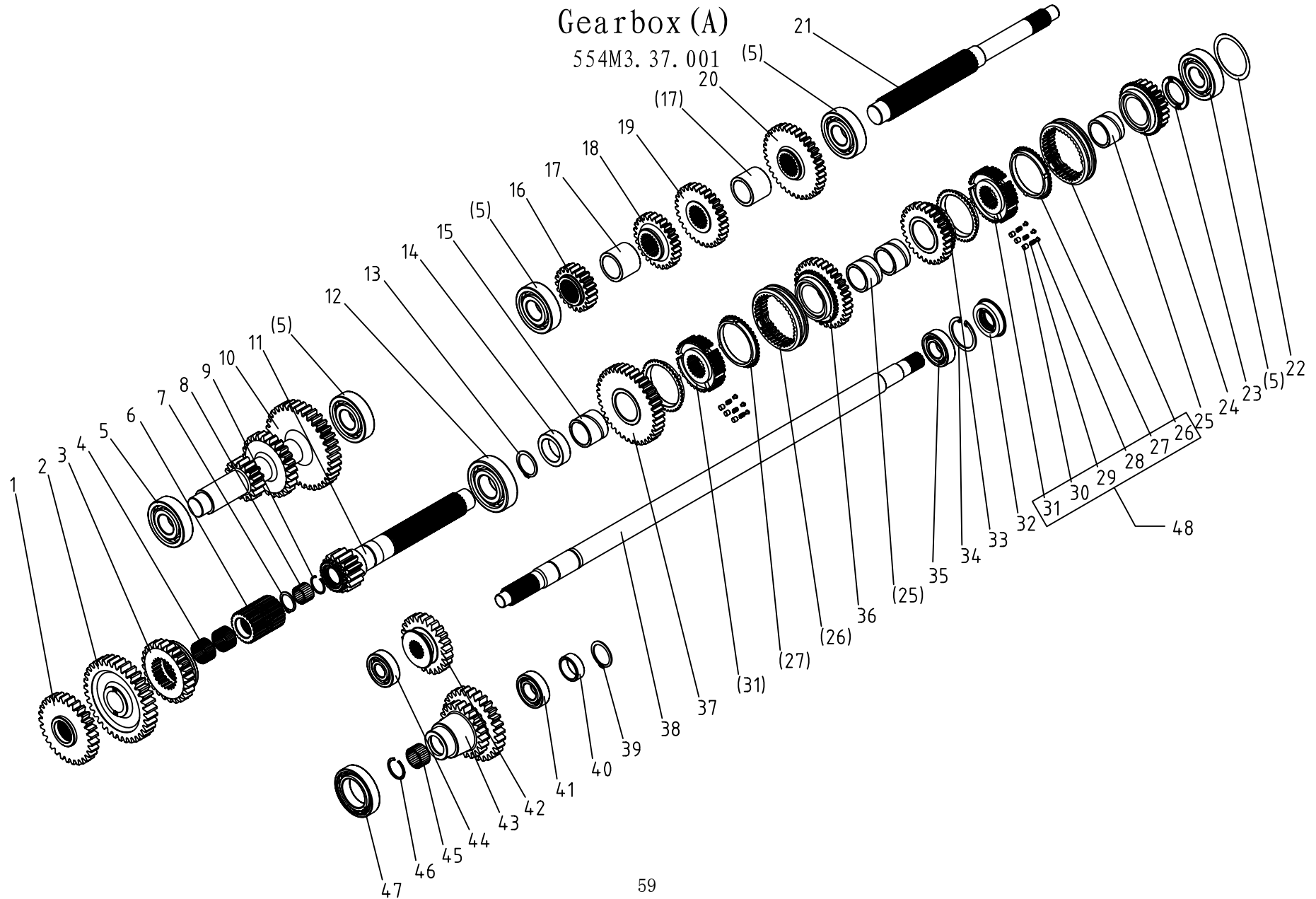
12 传动轴总成 Transmission shaft

Ser.No.	Part No.	名称及规格	Name & Specifications	Quantity	Remarks
1	GB/T897.2-2000-6×35	销6×35	Slotted spring pin 6×35	2	
2	504G3.41.121	花键连接套	Spline connecting	2	
3	504G3.36.101	传动轴	Transmission shaft	1	
4	504G3.36.011	前套管焊合件	Front housing	1	
5	GB/T3452.1-1992-36.5×2.65	O形圈 36.5×2.65	O-ring seal 36.5×2.65	2	
6	504G3.36.012	后套管焊合件	Rear housing	1	
7	GB/T5783-2000-M8×20	螺栓 M8×20	Hex. head bolt M8×20	3	
8	GB/T93-1987-8	垫圈 8	Spring lock washer 8	3	
9	504G3.36.102	纸垫	Paper gasket	1	

13.1 变速箱总成 (A)

Gearbox (A)

554M3. 37. 001



13.1 变速箱总成 (A) Gearbox (A)

Ser.No.	Part No.	名称及规格	Name & Specifications	Quantity	Remarks
1	504G3.37.118-1	前驱动主动齿轮	Front drive active gear	1	
2	504G3.37.116A	低档被动齿轮	Driven gear,low speed	1	
3	504G3.37.125	副变速滑动齿轮	Sliding gear,secondary change speed	1	
4	GB/T5846-1986-K30×35×17	滚针轴承 K30×35×17	Ball bearing K30×35×17	2	
5	GB/T276-1994-6306	轴承 6306	Ball bearing 6306	5	
6	504G3.37.126-1	副变速滑动齿轮座	Sliding sleeve seat,secondary change speed	1	
7	254G3.37.129	轴用卡簧28	Circlip for shaft 28	1	
8	504G3.37.023	满装滚针组件	Ball bearing groupware	1	
9	504G3.37.129-1	孔用卡簧32	Circlip for hole 32	1	
10	554M3.37.103	副变速中间齿轮轴	Counter-gear-shaft	1	
11	554M3.37.105	第二轴	2nd shaft	1	
12	GB/T276-1994-6307	轴承 6307	Ball bearing 6307	1	
13	504G3.37.112	挡圈35	Circlip for shaft 35	1	
14	504G3.37.111	隔套	Spacer bush	1	
15	504G3.37.131	长衬套	Long bush	1	
16	504G3.37.109	I 档主动齿轮	Driving gear,1st speed	1	
17	504G3.37.106	主变速输入轴隔套	Spacer bush	2	
18	504G3.37.108	II 档主动齿轮	Driving gear,2nd speed	1	
19	504G3.37.107	III 档主动齿轮	Driving gear,3rd speed	1	
20	554M3.37.101	IV 档主动齿轮	Driving gear,4th speed	1	
21	504G3.37.104A	主变速输入轴	Input shaft,main change speed	1	
	504G3.37.104	主变速输入轴	Input shaft,main change speed	1	For creeper gear
22	504G3.37.145	调整垫片	Adjust shims	demand	
23	504G3.37.142	隔圈	Spacing ring	1	
24	554M3.37.104	IV 档被动齿轮	Driven gear,4th speed	1	

13.1 变速箱总成 (A) Gearbox (A)

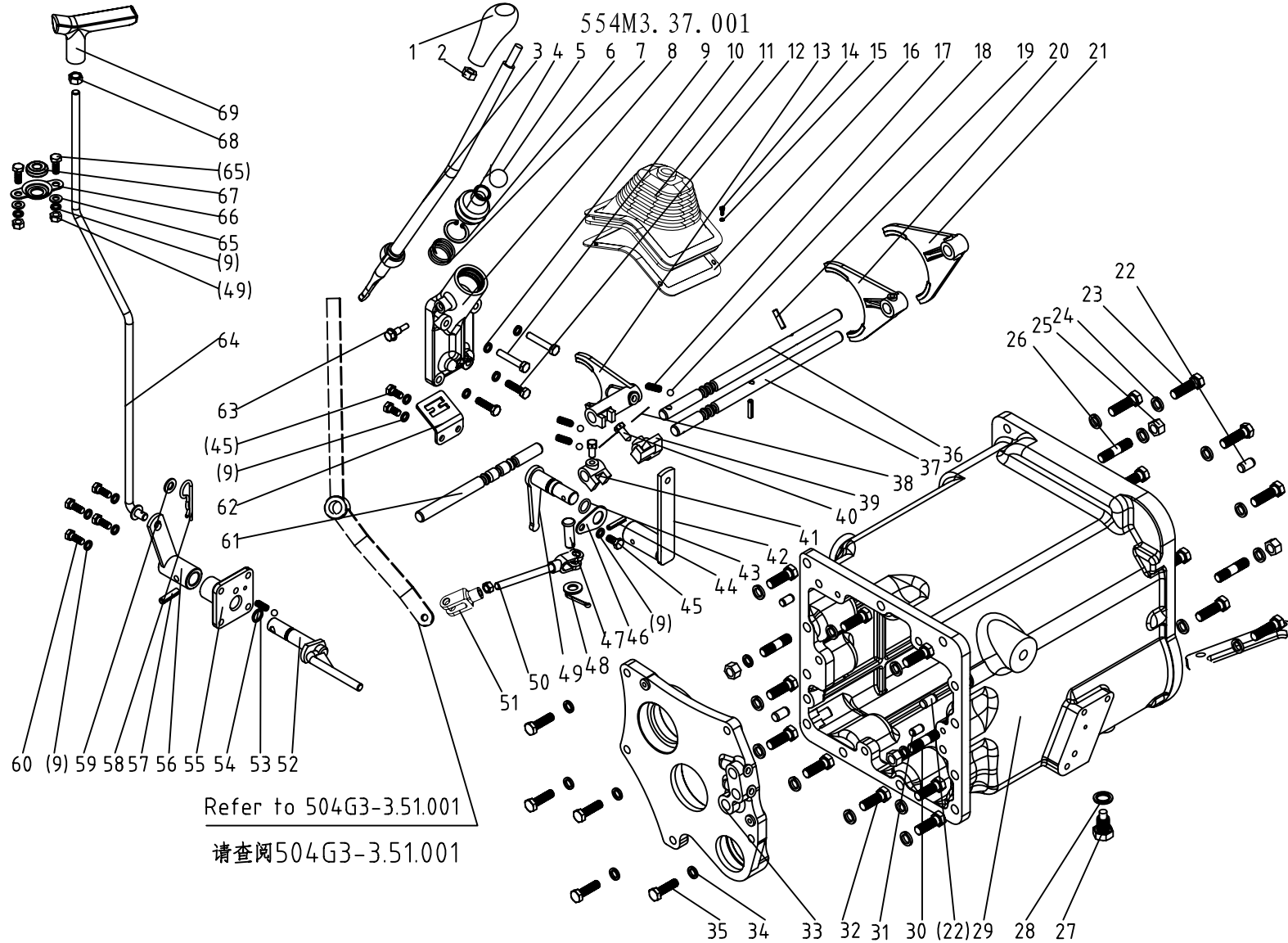
续表

Ser.No.	Part No.	名称及规格	Name & Specifications	Quantity	Remarks
25	504G3.37.141	衬套	Bush	3	
26	550-1.37A.112	同步器齿套	Hub sleeve	2	
27	550-1.37A.114	同步环	Cone ring	4	
28	550-1.37A.116	托架	Bracket	6	
29	550-1.37A.115	弹簧	Spring	6	
30	550-1.37A.117	止销	Pin	6	
31	504G3.37.136	同步器齿毂	Hub gear	2	
32	254G3.41.124	密封圈FB25×52×9	Oil seal FB25×52×9	1	
33	504G3.37.135	III档被动齿轮	Driven gear,3rd speed	1	
34	GB/T893.1-1986-52	挡圈 52	Circlip for hole 52	1	
35	GB/T276-1994-6205	轴承 6205	Ball bearing 6205	1	
36	504G3.37.134	II档被动齿轮	Driven gear,2nd speed	1	
37	504G3.37.132	I档被动齿轮	Driven gear,1st speed	1	
38	504G3.37.148	前驱动轴	Front wheel driving shaft	1	
39	504G3.63.102	轴用挡圈 30	Circlip for shaft 30	1	
40	504G3.37.124A	隔套	Spacer bush	1	
41	GB/T283-1994-NJ205E	轴承 NJ205E	Ball bearing NJ205E	1	
42	504G3.37.122	前驱动被动齿轮	Front wheel driven shaft	1	
43	504G3.37.120	前驱动中间双联齿轮	Doublegear block	1	
44	GB/T276-1994-6304	轴承 6304	Ball bearing 6304	1	
45	GB/T5846-1986-K25×31×17	滚针轴承 K25×31×17	Ball bearing K25×31×17	1	
46	504G3.37.121	孔用卡簧31	Circlip for hole 31	1	
47	GB/T276-1994-6009	轴承 6009	Ball bearing 6009	1	
48	504G3.37.022HW	同步器合件	Synchronizer	1	

13.2 变速箱总成 (B)

Gearbox (B)

554M3. 37.001



13.2 变速箱总成 (B) Gearbox (B)

Ser.No.	Part No.	名称及规格	Name & Specifications	Quantity	Remarks
1	504G3.37.157	主变速换挡杆手柄总成	Gear-shift hand lever,main change speed	1	
2	GB/T6170-2000-M10	螺母 M10	Nut M10	2	
3	504G3-3.37.011-1	主变速操纵杆焊合件	Gear shift lever,main change speed	1	
4	254G3.37.152	防尘罩	Dust boot	1	
5	GB/T3083-1982-Zd1.5×200	镀锌钢丝 Zd1.5×200	Galvanized Steel Wire Zd1.5×200	1	
6	GB/T893.1-1986-34	挡圈 34	Circlip for hole 34	1	
7	254G3.37.151	变速杆弹簧	Spring	1	
8	504G3.37.153	主变速座	Seat,mian change speed	1	
9	GB/T93-1987-8	垫圈 8	Spring lock washer 8	12	
10	GB/T5783-2000-M8×45	螺栓 M8×45	Hex. head bolt M8×45	2	
11	504G3-3.37.102	换挡杆橡胶套	Rubber Parts,Gear-shift lever	1	
12	GB/T5783-2000-M8×30	螺栓 M8×30	Hex. head bolt M8×30	2	
13	504G3.37.115	副变速拨叉	Shift fork,secondary change speed	1	
14	GB/T818-2000-M5×16	螺栓 M5×16	Hex. head bolt M12×40	4	
15	GB/T93-1987-5	垫圈 5	Spring lock washer 5	4	
16	504G3-3.37.101	橡胶套固定板	Fixed plate for Rubber Parts	1	
17	254G3.37.163	定位弹簧	Positioning spring	3	
18	GB/T308-2002-8	钢球 8	Steel ball 8	4	
19	GB/T879.4-2000-6×28	销 6×28	Pin 6×28	2	
20	504G3.37.149	III-IV档拨叉	Shift fork,3rd-4th speed	1	
21	504G3.37.133	I - II档拨叉	Shift fork,1st-2nd speed	1	
22	GB/T119.2-2000-B12×20	销 B12×20	Round pin B 12×20	4	
23	GB/T5783-2000-M12×40	螺栓 M12×40	Hex. head bolt M12×40	9	
24	GB/T93-1987-12	垫圈 12	Spring lock washer 12	22	
25	GB/T6170-2000-M12	螺母 M12	Nut M12	4	

13.2 变速箱总成 (B) Gearbox (B)

续表

Ser.No.	Part No.	名称及规格	Name & Specifications	Quantity	Remarks
26	GB/T899-1988-M12×35	双头螺柱 M12×35	Studs M12×35	2	
27	200.38.024	放油螺塞总成	Oil drain plug	1	
28	JB-FT-CU-16	组合密封铜垫圈16	Copper washer 16	1	
29	504G3.37.101	变速箱体	Gearbox housing	1	
30	GB/T899-1988-AG M12×30	双头螺柱 AG M12×30	Studs AG M12×30	2	
31	GB/T119.2-2000-B10×20	销 B10×20	Round pin B 10×20	2	
32	GB/T5783-2000- M12×35	螺栓 M12×35	Hex. head bolt M12×35	9	
33	504G3.37.110	变速箱后隔板	After gearbox partition	1	
34	GB/T93-1987-10	垫圈 10	Spring lock washer 10	5	
35	GB/T5783-2000-M10×35	螺栓 M10×35	Hex. head bolt M10×35	5	
36	504G3.37.156	I - II 档拨叉轴	Shift fork shaft,1st-2nd speed	1	
37	504G3.37.155	III-IV 档拨叉轴	Shift fork shaft,3rd-4th speed	1	
38	GB/T3083-1982-Zd1.4×250	镀锌钢丝 Zd1.4×250	Galvanized Steel Wire Zd1.4×250	2	
39	504G3.37.102	III-IV 档拨头	Shift fork head,3rd-4th speed	1	
40	254G3.37.146	紧定螺钉	Set screw	2	
41	504G3.37.150	I - II 档拨叉头	Shift fork head,1st-2nd speed	1	
42	504G3-3.37.012	副变速摇臂焊接件	Rocker arm,secondary change speed	1	
43	GB/T3452.1-1992-15×2.65	O形圈 15×2.65	O-ring seal 15×2.65	1	
44	GB/T879.4-2000-6×30	销 6×30	Pin 6×30	2	
45	GB/T5783-2000-M8×16	螺栓 M8×16	Hex. head bolt M8×16	2	
46	504G3.37.168	挡板	Baffle	1	
47	GB/T882-1986-B10×30	销轴 B10×30	Clevis pin with head B10×30	2	
48	GB/T91-2000-3.2×25	销 3.2×25	Split pin 3.2×25	2	
49	504G3.37.015	副变速拨杆焊接件	Driving lever,secondary change speed	1	

13.2 变速箱总成 (B) Gearbox (B)

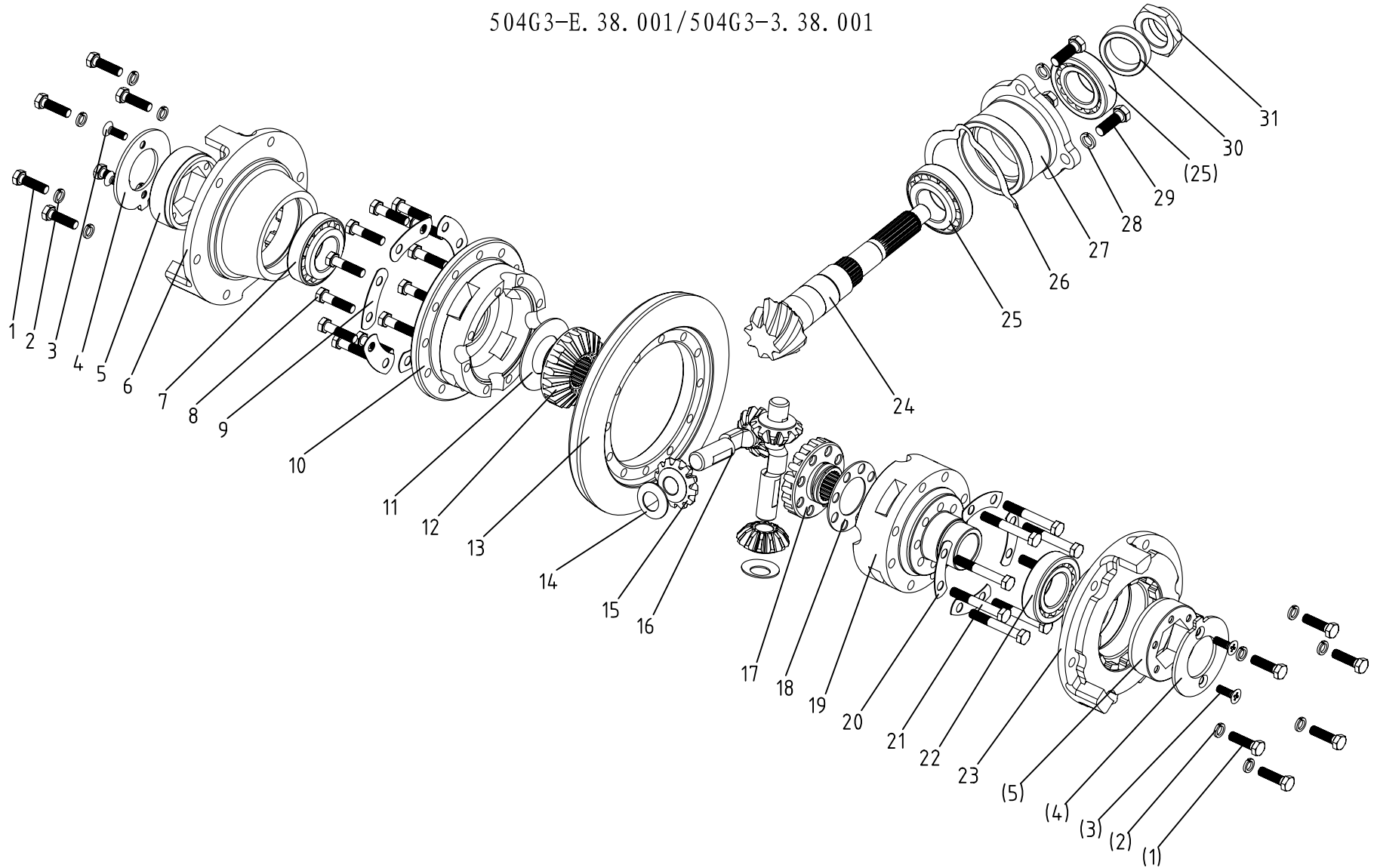
续表

Ser.No.	Part No.	名称及规格	Name & Specifications	Quantity	Remarks
50	504G3.37.090	拉杆焊合件	Pull rod weldment	1	
51	254G2.43.102	拉杆叉	Rod clevis	1	
52	504G3.37.018	前驱动拨头焊接件	Shifting block,Front wheel drive	1	
53	GB/T3452.1-1992-13.2×2.65	O形圈 13.2×2.65	O-ring seal 13.2×2.65	1	
54	504G3.37.171	前驱动定位弹簧	Positioning spring,Front wheel drive	1	
55	504G3.37.172	前驱动操纵座	Spring support,Front wheel drive	1	
56	504G3.37.020	前驱动摇臂焊接件	Rocker arm,Front wheel drive	1	
57	GB/T879.4-2000-8×30	销 8×30	Pin 8×30	1	
58	GB/T4329-2001-2.8×45	R销 2.8×45	R pin 2.8×45	1	
59	GB/T97.1-2002-10	垫圈 10	Washer 10	3	
60	GB/T5783-2000-M8×20	螺栓 M8×20	Hex. head bolt M8×20	2	
61	504G3.37.165	副变速拨叉轴	Shift fork shaft,secondary change speed	1	
62	504G3.37.151-1	主变速导向互锁板	Oriented interlock board	1	
63	254G3.37.160	主变速紧定螺钉	Set screw,main change speed	1	
64	504G3-3.37.013	前驱动操纵杆焊接件	Control lever,Front wheel drive	1	
65	GB/T97.1-2002-8	垫圈 8	Washer 8	2	
66	454.42.111	限位圈锁紧板	Locking plate	1	
67	454.42.110	限位圈	Limit circle	1	
68	GB/T6171-2000-M10×1	螺母 M10×1	Nut M10×1	1	
69	504G3.37.011	前驱动操纵手柄	Control handle,Front wheel drive	1	

14.1 后桥总成 (A)

Rear Axle (A)

504G3-E. 38. 001/504G3-3. 38. 001



14.1 后桥总成 (A) Rear Axle (A)

Ser.No.	Part No.	名称及规格	Name & Specifications	Quantity	Remarks
1	GB/T5783-2000-M10×35	螺栓 M10×35	Hex. head bolt M10×35	12	
2	GB/T93-1987-10	垫圈 10	Spring lock washer 10	12	
3	GB/T819-2000-M8×25	十字槽沉头螺钉 M8×25	Countersunk screw M8×25	4	
4	450.38.121	紧固板	Fixing plate	2	
5	450.38.122	调整螺母	Adjusting nut	2	
6	504G3.38.105	差速器轴承座1	Differential case cover 1	1	
7	GB/T297-1994-32011	滚动轴承 32011	Ball bearing 32011	1	
8	GB/T5785-2000-M10×1×30	螺栓 M10×1×30	Bolt M10×1×30	12	level 10.9
9	450.38.148	圆锥齿轮锁紧垫片	Lock piece	6	
10	650.38.168	差速器右壳	Differential right housing	1	
11	650.38.162	半轴齿轮垫片 I	Shim,half shaft gear I	1	
12	650.38.169	右半轴齿轮	Right half shaft gear	1	
13	504G3.38.113	中央传动被动齿轮	Spiral-bevel gear	1	
14	650.38.164	行星齿轮垫片	Planet gear shim	4	
15	650.38.166	行星齿轮	Planet gear	4	
16	650.38.165	行星齿轮轴	Planet gear shaft	2	
17	650.38.161	左半轴齿轮	Left half shaft gear	1	
18	650.38.170	半轴齿轮垫片 II	Shim,half shaft gear II	1	
19	650.38.163	差速器左壳	Differential left housing	1	
20	450.38.140	锁紧垫片	Lock piece	4	
21	GB/T5782-2000-M10×70	螺栓 M10×70	Hex. head bolt M10×70	8	level 10.9
22	GB/T297-1994-32210	滚动轴承 32210	Ball bearing 32210	1	
23	504G3.38.107	差速器轴承座2	Differential case cover 2	1	
24	504G3.38.114-3	中央传动主动齿轮	Spiral-bevel pinion	1	
25	GB/T297-1994-32208	滚动轴承 32208	Ball bearing 32208	2	NSK

14.1 后桥总成 (A) Rear Axle (A)

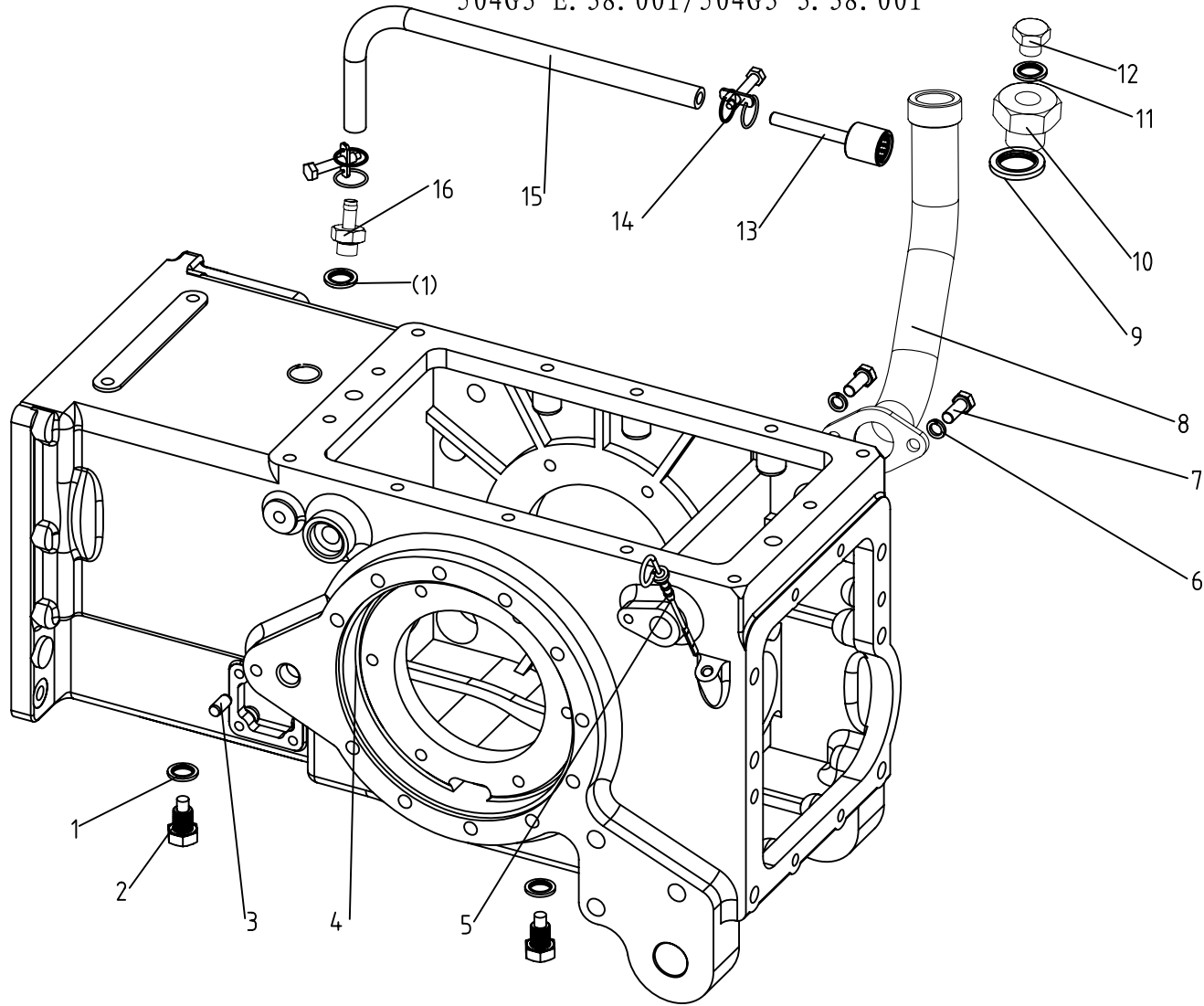
续表

Ser.No.	Part No.	名称及规格	Name & Specifications	Quantity	Remarks
26	504G3.38.102	主动齿轮调整垫片	Adjust shims	demand	
27	504G3.38.115-1	主动齿轮轴承座	Bearing seat spiral bevel pinion	1	
28	GB/T93-1987-12	垫圈 12	Spring lock washer 12	3	
29	GB/T5783-2000-M12×35	螺栓 M12×35	Hex. head bolt M12×35	3	
30	504G3.38.118	隔套	Clapboard	1	
31	504G3.38.116	锁紧螺母	Lock nut	1	

14.2 后桥总成 (B)

Rear Axle (B)

504G3-E. 38. 001/504G3-3. 38. 001



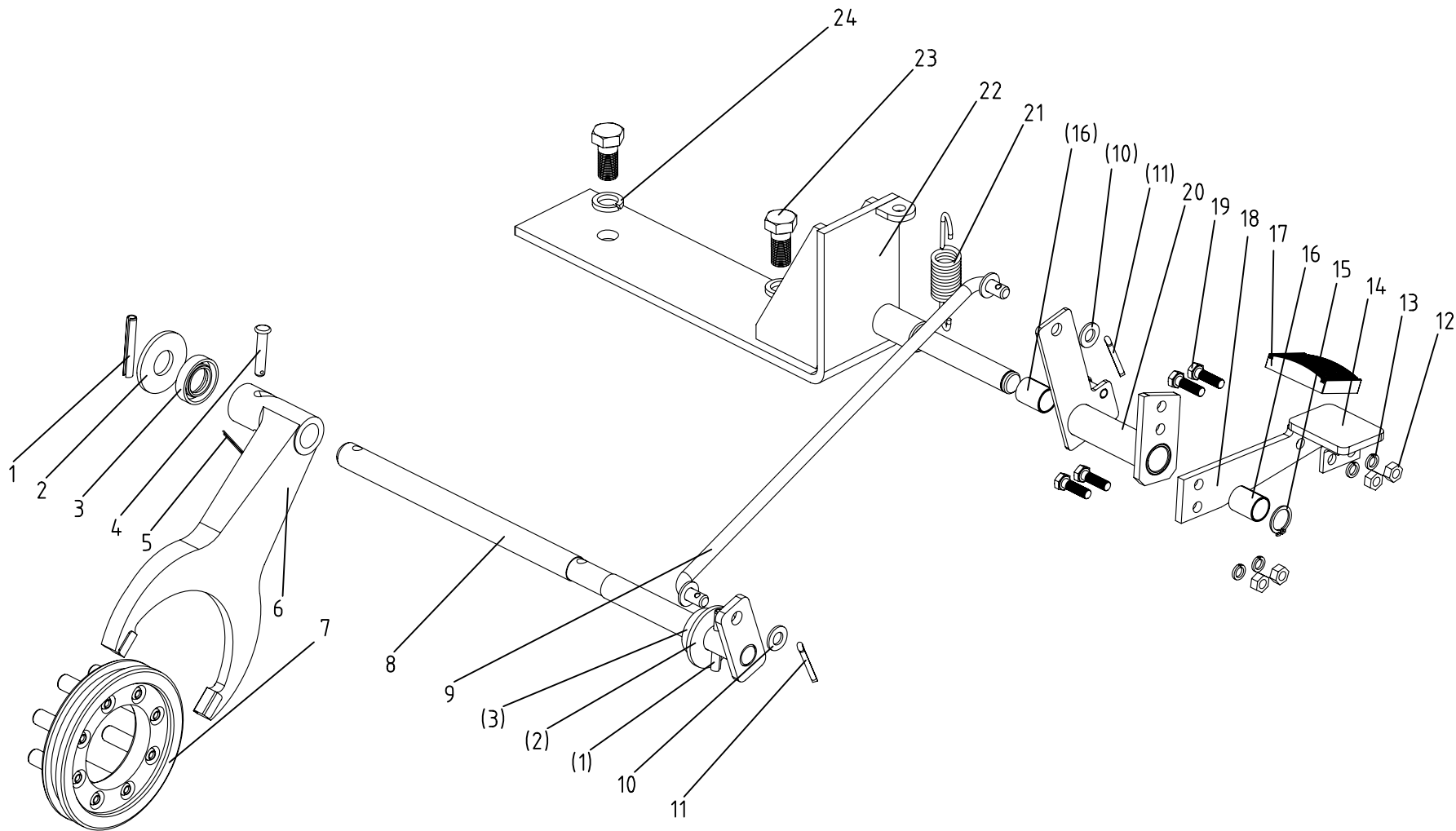
14.2 后桥总成 (B) Rear Axle (B)

Ser.No.	Part No.	名称及规格	Name & Specifications	Quantity	Remarks
1	JB-FT-CU-16	组合密封铜垫圈16	Copper washer 16	4	
2	200.38.024	放油螺栓总成	Oil drain plug	2	
3	GB/T119.1-2000-10×22	销 10×22	Round pin 10×22	2	
4	504G3.38.101A	后桥壳体	Housing assy rear axle	1	
5	504G3.38.014	油尺	Oil dipstick	1	
6	GB/T93-1987-10	垫圈 10	Spring washer 10	2	
7	GB/T5783-2000-M10×25	螺栓 M10×25	Oil drain plug	2	
8	504G3.38.050	加油口管焊合件	Oil import	1	
9	JB-FT-CU-30	组合密封铜垫圈30	Copper washer 30	1	
10	504G3.38.135-1	加油盖	Encourage plug	1	
11	JB-FT-CU-18	组合密封铜垫圈18	Copper washer 18	1	
12	JB/ZQ4450-1997-M18×1.5	螺塞 M18×1.5	Bolt tuck M18×1.5	1	
13	900A.50.011-1	呼吸器总成	Rebreather	1	
14	JB/T8870-1999- (16-25)	喉箍 (16-25)	Hoop (16-25)	2	
15	JB/T6015-1999-10×1100	夹布输油胶管 10×1100	Oil hose 10×1100	1	
16	504G3.38.031	呼吸器接头螺栓焊合件	Rebreather welding	1	

14.3 差速锁总成

Differential Lock

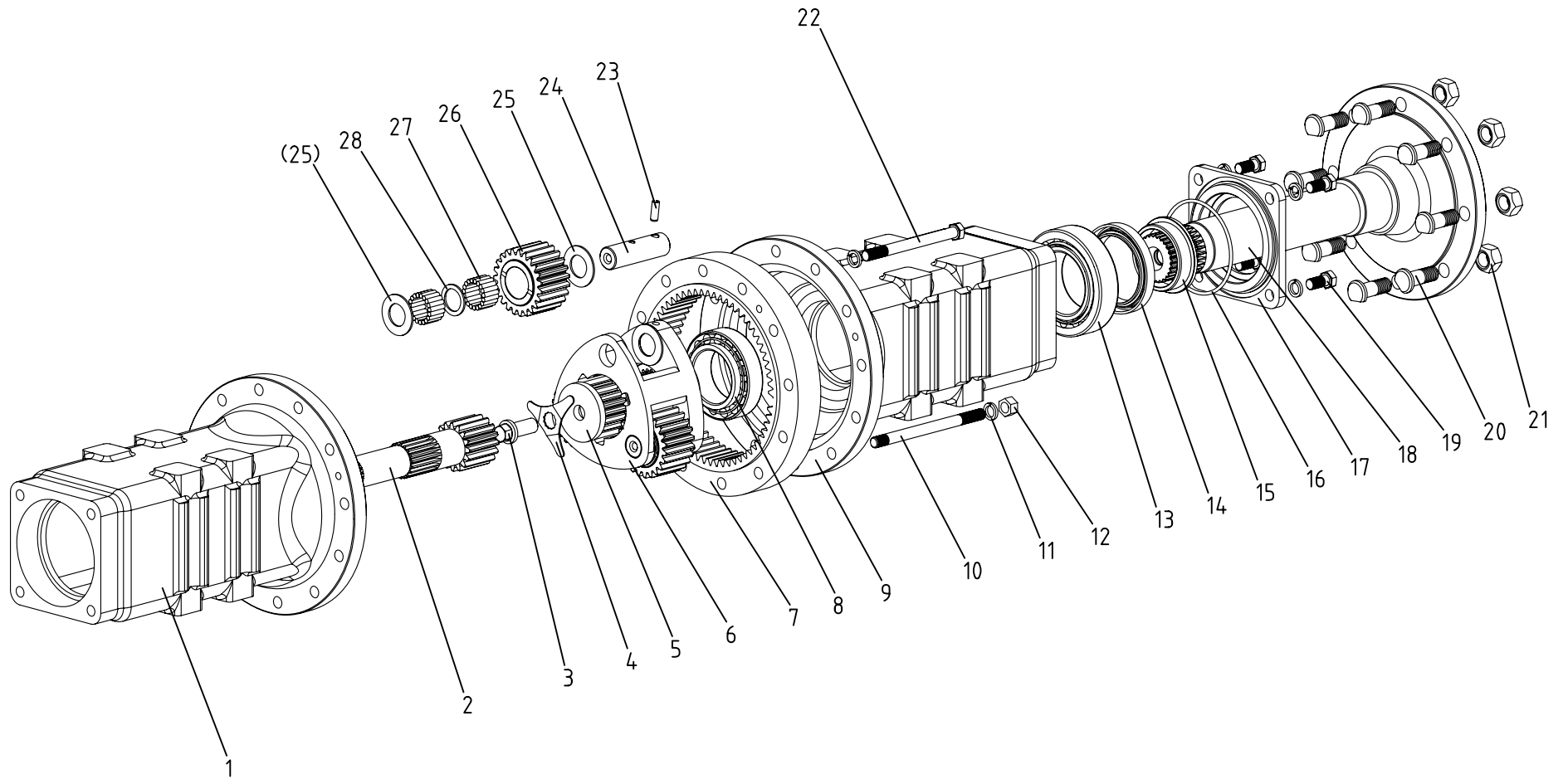
504G3-E. 38. 001/504G3-3. 38. 001



14.3 差速锁总成 Differential Lock

Ser.No.	Part No.	名称及规格	Name & Specifications	Quantity	Remarks
1	GB/T879.1-2000-6×40	销 6×40	Round pin 6×40	2	
2	504G3.38.104	挡圈	Bead flange	2	
3	GB/T9877.1-1988-FB16×30×7	油封 FB16×30×7	Oil seal FB 16×30×7	2	
4	GB/T882-1986-6×30	销轴 6×30	Clevis pin with head 6×30	1	
5	GB/T4329-2001-1.8×30	R销 1.8×30	Pin 1.8×30	1	
6	504G3.38.106	差速锁拨叉	Shift folk,differential lock	1	
7	450.38.022	差速锁组件	Differential lock	1	
8	504G3.38.010	差速锁拨叉轴焊合件	Shift folk shaft,differential lock	1	
9	504G3.38.011	拉杆焊合件	Pole	1	
10	GB/T97.1-2002-8	垫圈 8	Washer 8	2	
11	GB/T91-2000-3.2×18	销 3.2×18	Pin 3.2×18	2	
12	GB/T6170-2000-M6	螺母 M6	Hex. nut M6	4	
13	GB/T93-1987-6	垫圈 6	Spring lock washer 6	4	
14	504G3.38.017	差速踏板焊合件	Control step,differential lock	1	
15	GB/T894.1-1986-14	挡圈 14	Circlip for shaft 14	1	
16	504G3.38.132	衬套 (1420)	Bush (1420)	2	
17	504G3.38.103	差速锁踏板套	Rubber coating for control step	1	
18	504G3-3.38.101	差速踏杆	Control pedal,differential lock	1	For Rops
	504G3-E.38.101	差速踏杆	Control pedal,differential lock	1	For Cab
19	GB/T5783-2000-M6×20	螺栓 M6×20	Hex. head bolt M6×20	4	
20	504G3-3.38.018	差速器套管焊合件	Control lever,differential lock	1	
21	504G3.38.108	回位弹簧	Return spring	1	
22	504G3-3.38.015	固定架焊合件	Mounting bracket	1	
23	GB/T5783-2000-M12×25	螺栓 M12×25	Hex. head bolt M12×25	2	
24	GB/T93-1987-12	垫圈 12	Spring lock washer 12	2	

15 最终传动总成
Final Transmission
504G3. 39. 001



15 最终传动总成 Final Transmission

Ser.No.	Part No.	名称及规格	Name & Specifications	Quantity	Remarks
1	504G3.39.101	右最终传动壳体	Right half shaft housing	1	
2	504G3.39.105	半轴	Half shaft	2	
3	450.39.112	驱动轴锁紧螺栓	Lock bolt,driving shaft	2	
4	450.39.111	驱动轴锁片	Lock piece,driving shaft	2	
5	504G3.39.115	挡块	Retaining collar	2	
6	504G3.39.110	行星架	Planet carrier	2	
7	504G3.39.104	齿圈	Ring gear	2	
8	GB/T297-1994-30211	轴承 30211	Tapered roller bearing 30211	2	
9	504G3.39.107	左最终传动壳体	Left half shaft housing	1	
10	GB/T899-1988-AGM12-M12×150	螺柱 AGM12-M12×150	Double end stud AGM12×150	4	
11	GB/T93-1987-12	垫圈 12	Spring lock washer 12	30	
12	GB/T6170-2000-M12	螺母 M12	Hex. Nut M12	4	
13	GB/T297-1994-30213	轴承 30213	Tapered roller bearing 30213	2	
14	450J.39.012	驱动轴油封总成	Oil-seal	2	
15	450.39.117	驱动轴衬套	Bush	2	
16	GB/T3452.1-1992-125×3.55	O形圈 125×3.55	O-ring seal 125×3.55	2	
17	450.39.118	油封座	Oil seal bracket	2	
18	650.39.116	驱动轴	Drive shaft	2	
19	GB/T5783-2000-M12×25	螺栓 M12×25	Hex. head bolt M12×25	8	
20	300.39.102	后轮毂螺栓	Rear hub bolt	16	
21	300.39.101	后轮毂螺母	Rear hub nut	16	
22	GB/T5782-2000-M12×155	螺栓 M12×155	Hex. head bolt M12×155	18	
23	GB/T879.1-2000-8×22	销 8×22	Slotted spring pin 8×22	6	
24	504G3.39.114	行星轮轴	Planet gear shaft	6	
25	504G3.39.111	滚针外隔圈	Outer spacer sleeve	12	

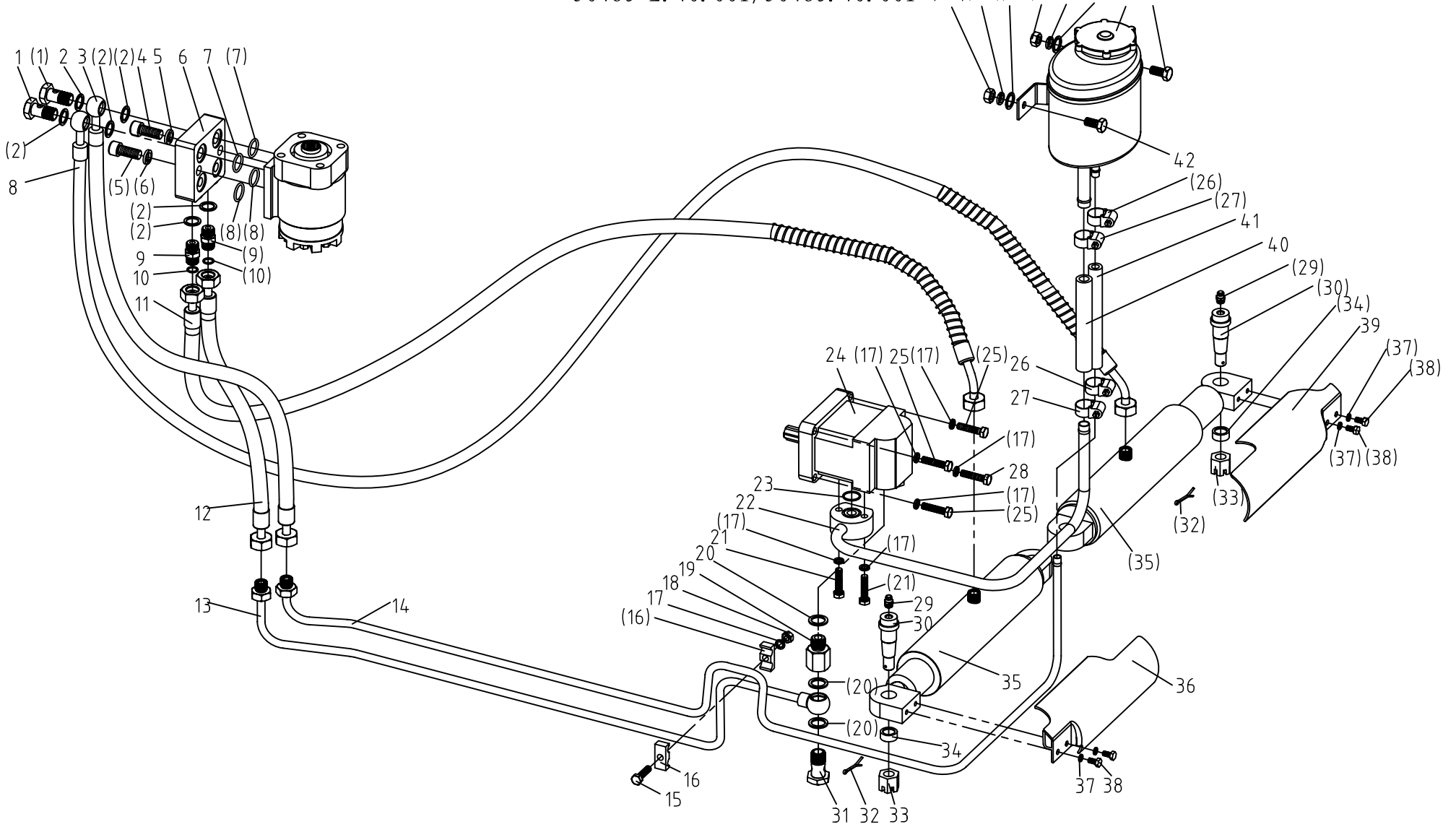
15 最终传动总成 Final Transmission

续表

Ser.No.	Part No.	名称及规格	Name & Specifications	Quantity	Remarks
26	504G3.39.113	行星轮	Planet gear	6	
27	GB/T309-2000-5×21.8	滚针 5×21.8	Needle roller 5×21.8	228	
28	504G3.39.112	滚针内隔圈	Inner spacer sleeve	6	

16.1 液压转向系统总成 Full Hydraulic Power Steering Gear

504G3-E. 40. 001/504G3. 40. 001 (46)(45)(44)4645 44 43 (42)



16.1 液压转向系统总成 Full Hydraulic Power Steering Gear

Ser.No.	Part No.	名称及规格	Name & Specifications	Quantity	Remarks
1	250D.40.150	铰接螺栓 M16×1.5	Hollow bolt M16×1.5	2	
2	JB-FT-CU-16	组合铜垫圈 16	Combination washer 16	4	
3	504G3.40.018	转向器回油软管总成	Oil return hose assy	1	
4	GB/T70.1-2000-M12×30	螺栓 M12×30	Hex.head bolt M12×30	2	
5	GB/T93-1987-12	垫圈 12	Spring lock washer 12	2	
6	504G3.40.101	转向阀块	Valve	1	
7	GB/T3452.1-1992-20×2.65	O形圈 20×2.65	O-ring seal 20×2.65	4	
8	504G3.40.017	左转向软管总成	Hose assy (left)	1	
9	504G3.40.102	管接头体	Connetor	2	
10	GB/T3452.1-1992-7.5×1.8	O形圈 7.5×1.8	O-ring seal 7.5×1.8	6	
11	504G3.40.020	右转向软管总成	Hose assy (right)	1	
12	504G3.40.015	转向器进油软管总成	Oil delivery hose assy	1	
13	504G3.40.014	转向器进油管焊合件	Oil delivery pipe weldment	1	
14	504G3.40.019	转向器回油管焊合件	Oil return pipe assy	1	
15	GB/T5783-2000-M8×30	螺栓 M8×30	Hex.head bolt M8×30	1	
16	254-8.40.109	两通管夹	Pipe nip	2	
17	GB/T 93-1987-8	垫圈 8	spring lock washer 8	7	
18	GB/T6170-2000-M8	螺母 M8	Hex. nut M8	1	
19	504G3.40.103	恒流泵接头	Connector	1	
20	JB-FT-CU-18	组合铜垫圈 18	Combination washer 18	3	
21	GB/T5783-2000- M8×40	螺栓 M8×40	Hex.head bolt M8×40	2	
22	504G3.40.011	恒流泵吸油管焊合件	Inlet pipe assy	1	
23	GB/T3452.1-1992-21.2×1.8	O形圈 21.2×1.8	O-ring seal 21.2×1.8	1	
24	HLCB-D10-10	恒流泵	Constant flow pump	1	
25	GB/T 5783-2000-M8×35	螺栓 M8×35	Hex.head bolt M8×35	3	

16.1 液压转向系统总成 Full Hydraulic Power Steering Gear

续表

Ser.No.	Part No.	名称及规格	Name & Specifications	Quantity	Remarks
26	JB/T8870-1999-2A(13-20)	喉箍 2A(13-20)	Hoop 2A (13-20)	2	
27	JB/T8870-1999-2A(16-20)	喉箍 2A(16-20)	Hoop 2A (16-20)	2	
28	GB/T5783-2000-M8×55	螺栓 M8×55	Hex.head bolt M8×55	1	
29	GB/T7940.1-1995-M10×1	油杯 M10×1	Angle grease nipple M10×1	2	
30	504G3.40.111	销轴	Pin	2	
31	JB/T6013-2000-M18×1.5	铰接螺栓 M18×1.5	Hollow bolt M18×1.5	1	
32	GB/T91-2000-3.2×25	销 3.2×25	Split pin 3.2×25	2	
33	GB/T6181-2000-M14	螺母 M14	Hex.nut M14	2	
34	504G3.31.125	隔套	Press-in sleeve	2	
35	504G3.40.024	转向油缸总成	Steering cylinder assy	2	
36	504G3.40.023	左转向油缸挡板焊合件	Baffle	1	
37	GB/T93-1987-6	垫圈 6	spring lock washer 6	4	
38	GB/T5783-2000-M6×12	螺栓 M6×12	Hex.head bolt M6×12	4	
39	504G3.40.025	右转向油缸挡板焊合件	Baffle	1	
40	JB/T6015-2000-13-230	胶管 13-230	Rubber pipe 13-230	1	
41	JB/T6015-2000-10-230	胶管 10-230	Rubber pipe 10-230	1	
42	GB/T5783-2000-M10×20	螺栓 M10×20	Hex.head bolt M10×20	2	
43	254G2.40.015-2	转向油箱总成	Oil tank	1	
44	GB/T97.1-2002-10	垫圈 10	Plain washer 10	2	
45	GB/T93-1987-10	垫圈 10	Spring lock washer 10	2	
46	GB/T6170-2000-M10	螺母 M10	Hex.nut M10	2	

16.2.A 转向总成Steering System

Ser.No.	Part No.	名称及规格	Name & Specifications	Quantity	Remarks
1	102S-1-80-10	液压转向器	Hydraulic steering gear	1	
2	GB/T5783-2000-M8×16	螺栓 M8×16	Hex. head bolt M8×16	2	
3	GB/T93-1987-8	垫圈 8	Spring lock washer 8	4	
4	504G3-E.40.021	底座焊合件	Pedestal	1	
5	GB/T93-1987-10	垫圈 10	Spring lock washer 10	6	
6	GB/T5783-2000-M10×35	螺栓 M10×35	Hex. head bolt M10×35	4	
7	GB/T894.1-1986-20	挡圈 20	Circlip for shaft 20	2	
8	504G3.40.137	花键轴	Spline	1	
9	GB/T276-1994-6004-2Z	轴承 6004-2Z	Ball bearing 6004-2Z	1	
10	GB/T893.1-1986-42	挡圈 42	Circlip for shaft 42	1	
11	504G3.40.037	万向节总成	Gimbal	1	
12	GB/T6170-2000-M8	螺母 M8	Hex. nut M8	3	
13	GB/T5783-2000-M8×35	螺栓 M8×35	Hex. head bolt M8×35	2	
14	504G3.40.157	转向轴	Steering shaft	1	
15	550-1.40A.017	方向盘总成	Steering wheel assy	1	C112106168
16	304.40.112	橡胶轴承	Rubber sleeve	2	
17	504G3-E.40.022	支架焊合件	Bracket weldment	1	
18	504G3.40.033	销轴焊合件 (二)	Pin(2)	1	
19	GB/T6173-2000-M16×1.5	螺母 M16×1.5	Hex. nut M16×1.5	1	
20	GB/T97.1-2002-16	垫圈 16	Plain washer 16	1	
21	GB/T91-2000-3.2×28	销 3.2×28	Split pin 3.2x28	2	
22	GB/T97.1-2002-8	垫圈 8	Plain washer 8	2	
23	GB/T882-1986-B8×28	销轴 B8×28	Clevis pin with head B8×28	2	
24	5206HX	锁止气弹簧	Gas spring	1	
25	132543	释放杆总成	Release lever	1	

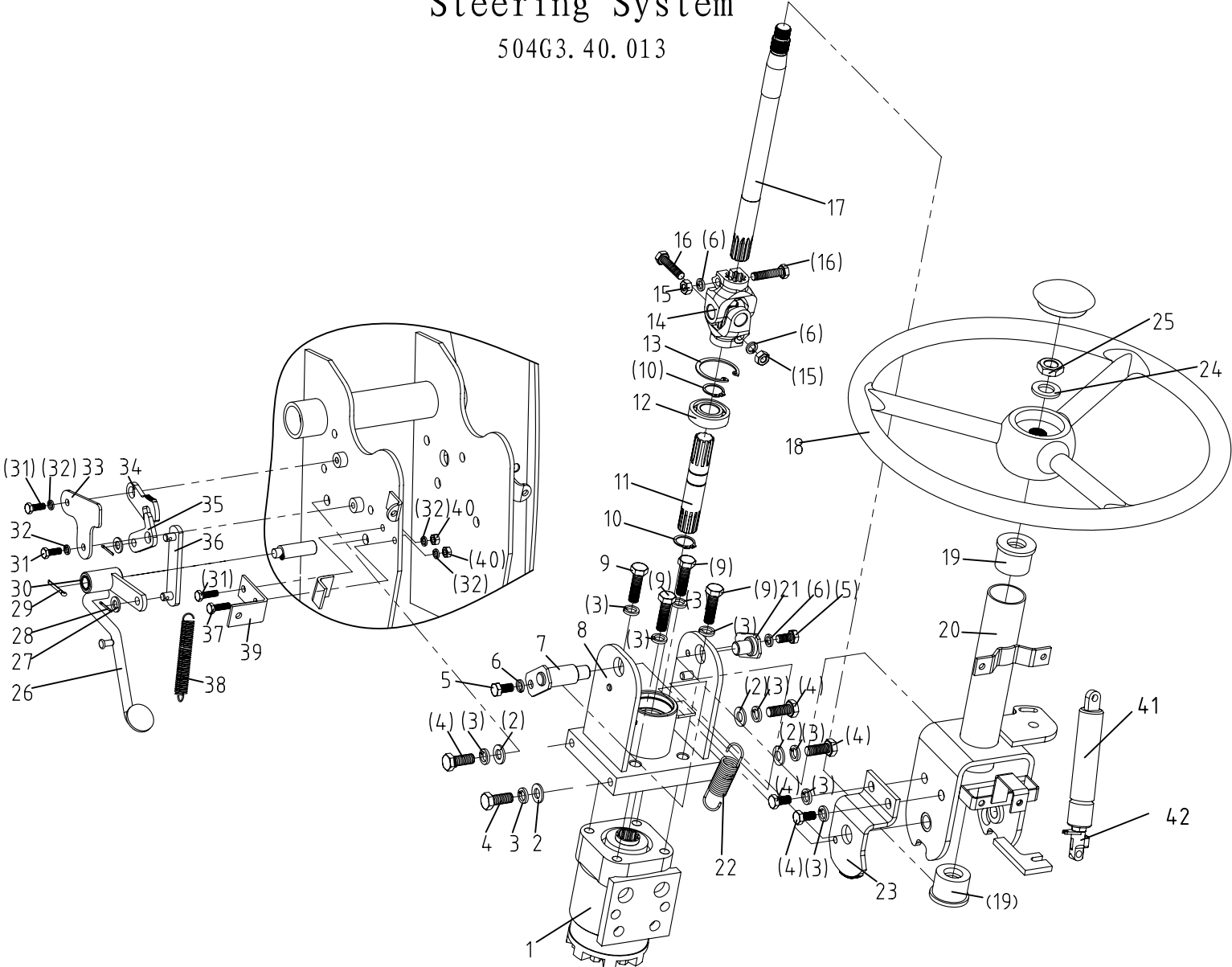
16.2.A 转向总成Steering System

Ser.No.	Part No.	名称及规格	Name & Specifications	Quantity	Remarks
1	102S-1-80-10	液压转向器	Hydraulic steering gear	1	
2	GB/T5783-2000-M8×16	螺栓 M8×16	Hex. head bolt M8×16	2	
3	GB/T93-1987-8	垫圈 8	Spring lock washer 8	4	
4	504G3-E.40.021	底座焊合件	Pedestal	1	
5	GB/T93-1987-10	垫圈 10	Spring lock washer 10	6	
6	GB/T5783-2000-M10×35	螺栓 M10×35	Hex. head bolt M10×35	4	
7	GB/T894.1-1986-20	挡圈 20	Circlip for shaft 20	2	
8	504G3.40.137	花键轴	Spline	1	
9	GB/T276-1994-6004-2Z	轴承 6004-2Z	Ball bearing 6004-2Z	1	
10	GB/T893.1-1986-42	挡圈 42	Circlip for shaft 42	1	
11	504G3.40.037	万向节总成	Gimbal	1	
12	GB/T6170-2000-M8	螺母 M8	Hex. nut M8	3	
13	GB/T5783-2000-M8×35	螺栓 M8×35	Hex. head bolt M8×35	2	
14	504G3.40.157	转向轴	Steering shaft	1	
15	550-1.40A.017	方向盘总成	Steering wheel assy	1	C112106168
16	304.40.112	橡胶轴承	Rubber sleeve	2	
17	504G3-E.40.022	支架焊合件	Bracket weldment	1	
18	504G3.40.033	销轴焊合件 (二)	Pin(2)	1	
19	GB/T6173-2000-M16×1.5	螺母 M16×1.5	Hex. nut M16×1.5	1	
20	GB/T97.1-2002-16	垫圈 16	Plain washer 16	1	
21	GB/T91-2000-3.2×28	销 3.2×28	Split pin 3.2x28	2	
22	GB/T97.1-2002-8	垫圈 8	Plain washer 8	2	
23	GB/T882-1986-B8×28	销轴 B8×28	Clevis pin with head B8×28	2	
24	5206HX	锁止气弹簧	Gas spring	1	
25	132543	释放杆总成	Release lever	1	

16.2.B 转向总成

Steering System

504G3.40.013



16.2.B 转向总成 Steering System

Ser.No.	Part No.	名称及规格	Name & Specifications	Quantity	Remarks
1	102S-1-80-10	液压转向器	Hydraulic steering gear	1	
2	GB/T97.1-2002-10	垫圈 10	Plain washer 10	4	
3	GB/T93-1987-10	垫圈 10	Spring lock washer 10	6	
4	GB/T5783-2000-M10×25	螺栓 M10×25	Hex. head bolt M10×25	6	
5	GB/T5783-2000-M8×16	螺栓 M8×16	Hex. head bolt M8×16	2	
6	GB/T93-1987-8	垫圈 8	Spring lock washer 8	4	
7	504G3.40.029	销轴焊合件 (一)	Pin(1)	1	
8	504G3.40.034	底座焊合件	Pedestal	1	
9	GB/T5783-2000-M10×35	螺栓 M10×35	Hex. head bolt M10×35	4	
10	GB/T894.1-1986-20	挡圈 20	Circlip for shaft 20	2	
11	504G3.40.137	花键轴	Spline	1	
12	GB/T276-1994-6004-2Z	轴承 6004-2Z	Ball bearing 6004-2Z	1	
13	GB/T893.1-1986-42	挡圈 42	Circlip for shaft 42	1	
14	504G3.40.037	万向节总成	Gimbal	1	
15	GB/T6170-2000-M8	螺母 M8	Hex. nut M8	3	
16	GB/T5783-2000-M8×35	螺栓 M8×35	Hex. head bolt M8×35	2	
17	504G3.40.157	转向轴	Steering shaft	1	
18	550-1.40A.017	方向盘总成	Steering wheel assy	1	C112106168
19	304.40.112	橡胶轴承	Rubber sleeve	2	
20	504G3.40.028	支架焊合件	Bracket weldment	1	
21	504G3.40.033	销轴焊合件 (二)	Pin(2)	1	
22	504G3.40.134	弹簧 (一)	Spring(1)	1	
23	504G3.40.130	上调节板	Upper regulate board	1	
24	GB/T97.1-2002-16	垫圈 16	Plain washer 16	1	
25	GB/T6173-2000-M16×1.5	螺母 M16×1.5	Hex. nut M16×1.5	1	

16.2.B 转向总成 Steering System

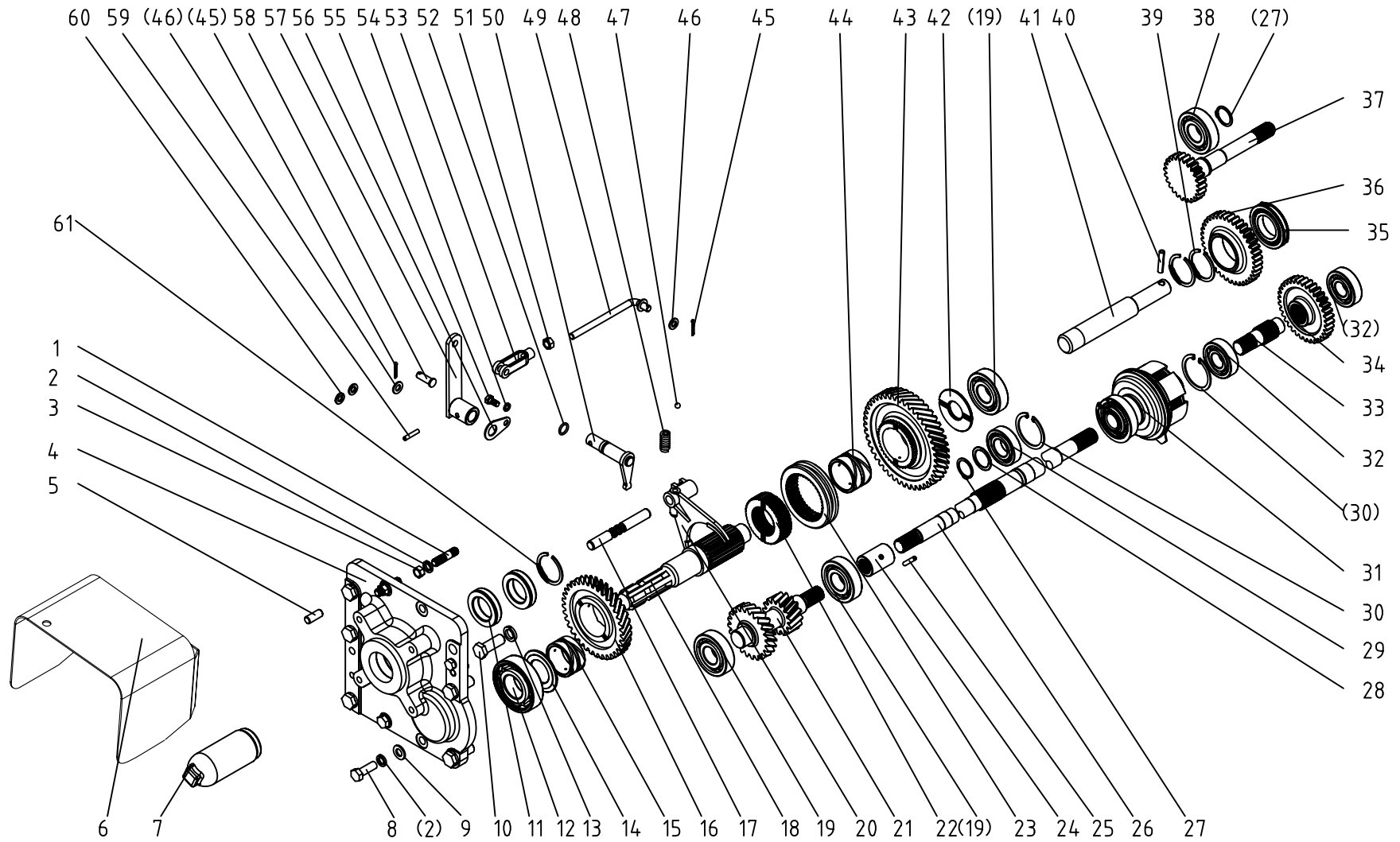
续表

Ser.No.	Part No.	名称及规格	Name & Specifications	Quantity	Remarks
26	504G3.40.031	踏杆焊合件	Pedal	1	
27	GB/T97.1-2002-8	垫圈 8	Plain washer 8	2	
28	GB/T91-2000-2×16	销 2×16	Split pin 2x16	2	
29	GB/T91-2000-3.2×25	销 3.2×25	Split pin 3.2x25	1	
30	504G3.40.158	衬套 (12-15)	Bushing	2	
31	GB/T5783-2000-M6×16	螺栓 M6×16	Hex. head bolt M6×16	2	
32	GB/T93-1987-6	垫圈 6	Spring lock washer 6	4	
33	504G3.40.131	限位板	Positioning plate	1	
34	504G3.40.132	下调节板	Lower regulate board	1	
35	504G3.40.133	操纵板	Control board	1	
36	504G3.40.030	连接板焊合件	Joint board	1	
37	GB/T5783-2000-M6×20	螺栓 M6×20	Hex. head bolt M6×20	2	
38	504G3.40.136-1	弹簧 (二)	Spring(2)	1	
39	504G3.40.135	弹簧座	Spring coil	1	
40	GB/T6170-2000-M6	螺母 M6	Hex. nut M6	2	
41	5206HX	锁止气弹簧	Gas spring	1	
42	132543	释放杆总成	Release lever	1	

17 后置动力输出总成

PTO

504G3-3.41.001



17 动力输出总成 PTO

Ser.No.	Part No.	名称及规格	Name & Specifications	Quantity	Remarks
1	GB/T899-1998-AM12-M12×1.25×35	螺栓 AM12-M12×1.25×35	Bolt AM12-M12×1.25×35	2	
2	GB/T93-1987-12	垫圈 12	Spring lock washer 12	4	
3	GB/T6171-2000-M12×1.25	螺母 M12×1.25	Hex. nut M12×1.25	2	
4	504G3.41.119	后盖	Rear cover	1	
5	GB/T119.1-2000-B12×22	销 B12×22	Straight pin B12×22	2	
6	504G3.41.178-1	动力输出防护罩	PTO shaft safety cover	1	
7	450.38.120-1	输出轴防护罩	Output shaft safety cover	1	
8	GB/T97.1-2002-12	垫圈 12	Plain washer 12	2	
9	GB/T5783-2000-M12×35	螺栓 M12×35	Hex. head bolt M12×35	2	
10	GB/T5783-2000-M16×45	螺栓 M16×45	Hex. head bolt M16×45	6	
11	GB/T13871.1-2007-FB40×62×8	油封FB40x62x8	PTO oil seal	2	
12	GB/T276-1994-6308	滚动轴承 6308	Ball bearing 6308	1	
13	GB/T93-1987-16	垫圈 16	Spring lock washer 16	6	
14	504G3.41.116	大隔圈	Big clapboard	1	
15	504G3.41.115	衬套 II	Bush II	1	
16	504G3.41.114	后置动力输出被动齿轮 II	PTO driven gear II	1	1000r/min
17	504G3.41.108	后置动力输出拨叉轴	PTO shift fork shaft	1	
18	504G3.41.118	后置动力输出轴	PTO shaft	1	6 teeth
19	GB/T283-1994-NJ306E	滚动轴承 NJ306E	Ball bearing NJ306E	3	
20	504G3.41.131	拨叉	PTO shift fork	1	
21	504G3.41.120	后置动力输出常啮合齿轮轴	Driving gear shaft	1	1000r/min
22	504G3.41.111	啮合套座	Sliding sleeve seat	1	
23	504G3.41.110	啮合套	Sliding sleeve	1	
24	504G3.41.121	花键连接套	spline connecting	1	
25	GB/T879.1-2000-6×36	销 6×36	Slotted spring pin 6×36	1	

17 动力输出总成 PTO

续表

Ser.No.	Part No.	名称及规格	Name & Specifications	Quantity	Remarks
26	504G3.41.122	动力输出液压离合器从动轴	PTO hydraulic clutch driven shaft	1	
27	504G3.63.102	轴用挡圈 30	Circlip for shaft 30	2	
28	504G3.29.108	第二轴隔圈	Clapboard for shaft II	1	
29	GB/T276-1994-6206	轴承 6206	Ball bearing 6206	1	
30	GB/T893.1-1986-62	挡圈 62	Circlip for hole 62	2	
31	504G3.41.013	液压离合器	Hydraulic clutch	1	
32	GB/T276-1994-6305	轴承 6305	Ball bearing 6305	2	
33	504G3.41.125	动力输出液压离合器主动轴	PTO hydraulic clutch initiative shaft	1	
34	504G3.41.126	动力输出传动被动齿轮	PTO transmission driven gear	1	
35	504G3.41.128	动力输出中间齿轮轴承	Ball bearing	1	
36	504G3.41.102-2	动力输出中间传动齿轮	PTO transmission middle gear	1	
37	504G3.41.101	动力输出主动轴	PTO initiative shaft	1	
38	GB/T283-1994 -NUP306E	滚动轴承 NUP306E	Ball bearing NUP306E	1	
39	GB/T305-1998-80/86.6	止动环 80/86.6	Stop ring 80/86.6	2	
40	GB/T879.1-2000-8×45	销 8×45	Slotted spring pin 8×45	1	
41	504G3.41.103-2	动力输出中间轴	PTO middle shaft	1	
42	504G3.41.105	小隔圈	Small clapboard	1	
43	504G3.41.107	后置动力输出被动齿轮 I	PTO driven gear I	1	
44	504G3.41.106	衬套 I	Bush I	1	
45	GB/T91-2000-3.2×18	销 3.2×18	Placket pin 3.2×18	2	
46	GB/T97.1-2002-10	垫圈 10	Plain washer 10	2	
47	GB/T308-2002-8	钢球 8	Steel ball 8	1	
48	254G3.37.163	定位弹簧	Locating spring	1	
49	504G3-3.41.011	拉杆焊合件	Pull rod	1	

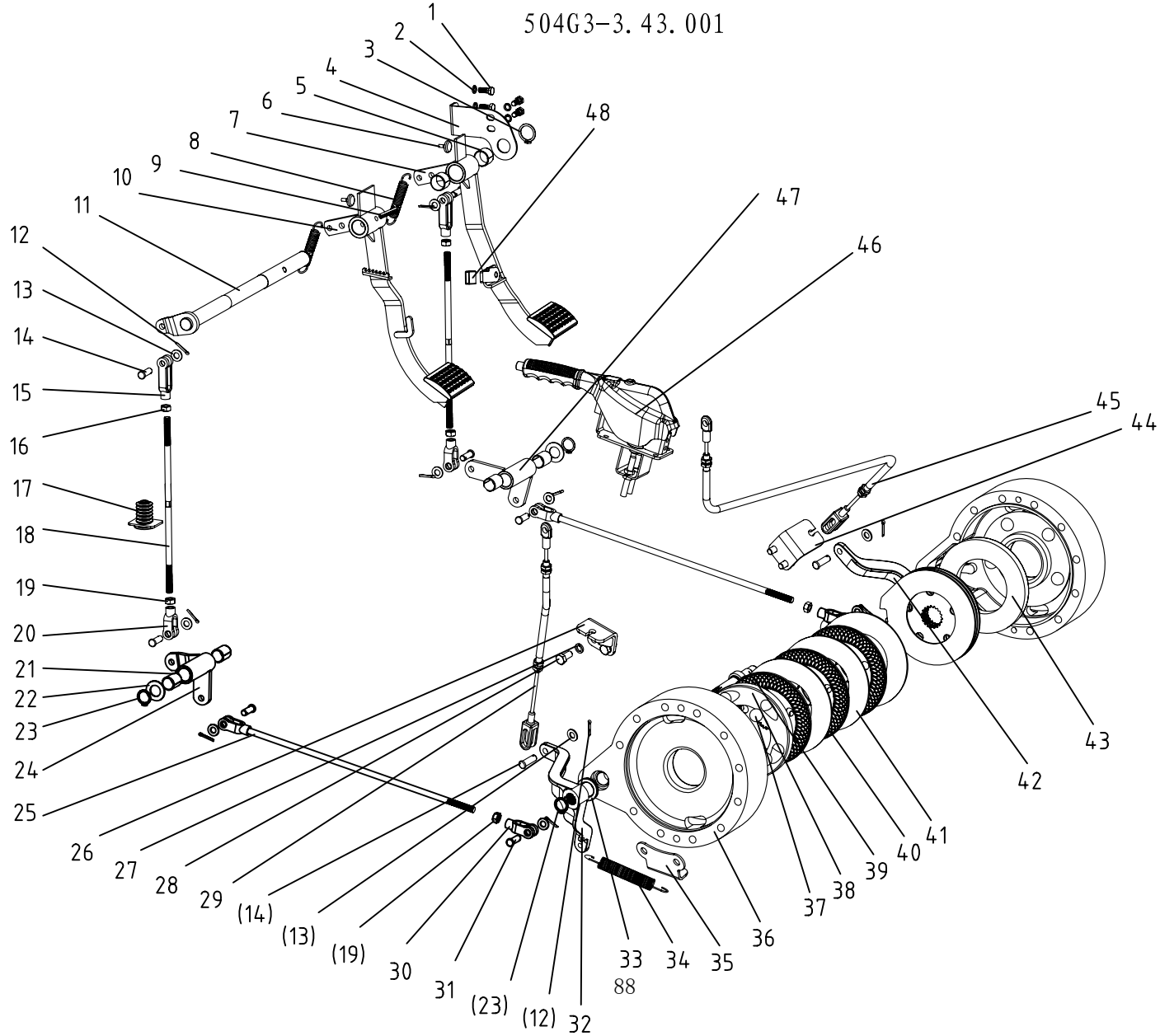
17 动力输出总成 PTO

续表

Ser.No.	Part No.	名称及规格	Name & Specifications	Quantity	Remarks
50	504G3-3.41.015	后置动力输出拨杆焊合件	PTO dial rod	1	
51	GB/T6171-2000-M10×1	螺母 M10×1	Hex. nut M10×1	1	
52	GB/T3452.1-1992-15×2.65	O形圈 15×2.65	O-ring seal 15×2.65	1	
53	300.21A.148	拉杆叉头	Rod clevis	1	
54	GB/T93-1987-8	垫圈 8	Spring lock washer 8	1	
55	GB/T5783-2000-M8×16	螺栓 M8×16	Hex. head bolt M8×16	1	
56	504G3.37.168	挡板	Baffle	1	
57	504G3-3.41.012	摇臂焊合件	Rocker	1	
58	GB/T880-1986-B10×30	销 B10×30	Pin shaft B10×30	2	
59	GB/T879.1-2000-8×30	销 8×30	Slotted spring pin 8×30	1	
60	JB-FT-CU-12	组合铜垫圈12	Combined washer 12	2	
61	300.41B.125	油封挡圈	Oil seal collar	1	

18 制动器及操纵机构总成 Disc Brake and Operation Mechanism

504G3-3.43.001



18 制动器及操纵机构总成 Disc Brake and Operation Mechanism

Ser.No.	Part No.	名称及规格	Name & Specifications	Quantity	Remarks
1	GB/T5783-2000-M8×20	螺栓 M8×20	Hex. head bolt M8×20	4	
2	GB/T93-1987-8	垫圈 8	Spring lock washer 8	4	
3	GB/T894.1-1986-25	挡圈 25	Circlip for shaft 25	1	
4	504G3.43.104	支撑板	Support board	1	
5	504G3.43.135	衬套 (2520)	Bush (2520)	2	
6	504G3.43.101	缓冲垫	Cushion	2	
7	504G3.43.033	右制动踏杆焊合件	Right brake lever weldment	1	
8	504G3.43.103-1	回位弹簧	Return spring	2	
9	GB/T879.4-2000-8×40	销 8×40	Spring split pin 8×40	1	
10	504G3.43.016-2	左制动踏杆焊合件	Left brake lever weldment	1	
11	504G3.43.015	制动传动轴焊合件	Brake pedal shaft	1	
12	GB/T91-2000-3.2×20	销 3.2×20	Split pin 3.2×20	11	
13	GB/T97.1-2002-10	垫圈 10	Chamfered plain washer 10	11	
14	GB/T882-1986-B10×30	销轴 B10×30	Clevis pin with head B10×30	8	
15	254G2.21.106	连接叉	Rod clevis	2	
16	GB/T6171-2000-M10×1L	螺母 M10×1 (左)	Hex. nut M10×1 (left)	2	
17	504G3.43.110	橡胶套	Rubber sheath	1	
18	504G3-3.43.109-1	前拉杆	Front pull rod	2	
19	GB/T6171-2000-M10×1	螺母 M10×1	Hex. nut M10×1	4	
20	300.21A.148	拉杆叉头	Draw rod fork	2	
21	504G3.43.115	衬套 (2030)	Bush (2030)	4	
22	GB/T97.1-2002-20	垫圈 20	Chamfered plain washer 20	2	
23	GB/T894.1-1986-20	挡圈 20	Circlip for shaft 20	4	
24	504G3.43.034	左连接套管焊合件	Left connect cannula weldment	1	
25	504G3.43.014	制动后拉杆焊合件	Back pull rod weldment	2	

18 制动器及操纵机构总成 Disc Brake and Operation Mechanism

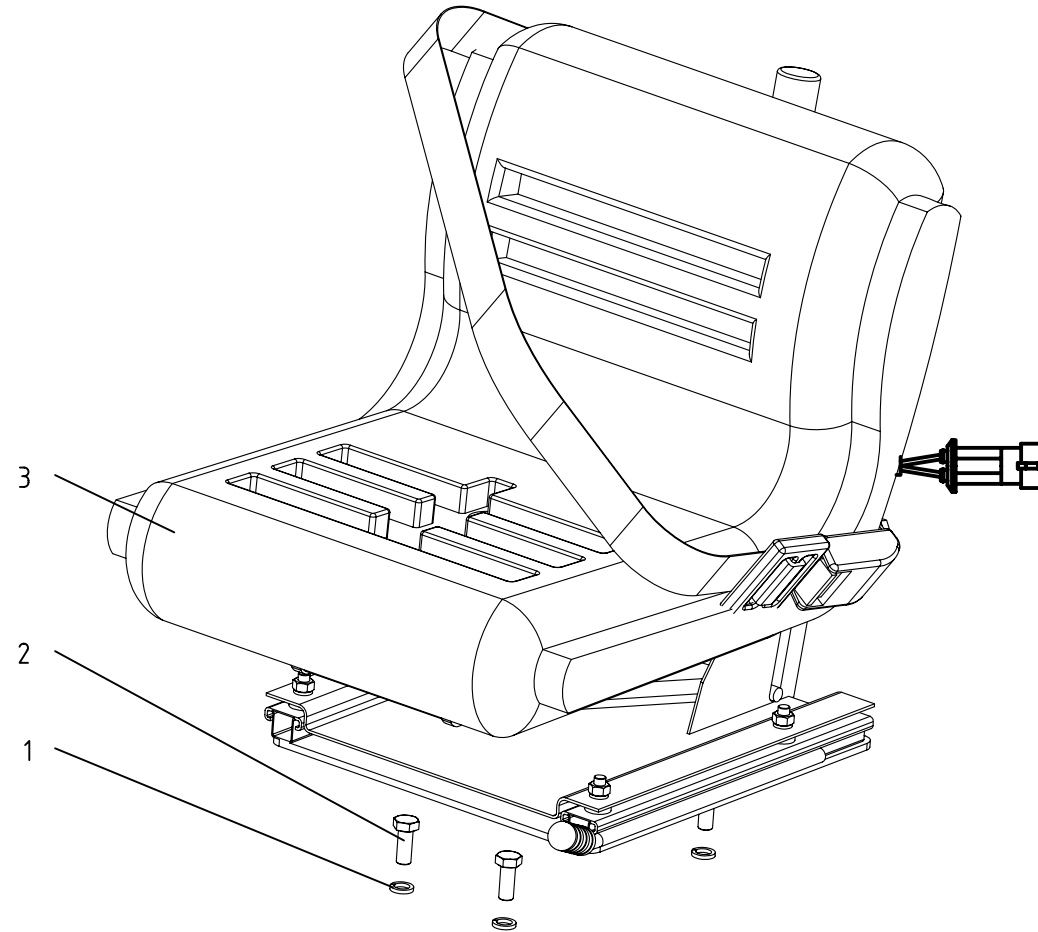
续表

Ser.No.	Part No.	名称及规格	Name & Specifications	Quantity	Remarks
26	504G3.43.020	左拉线支座焊合件	Left dragline support weldment	1	
27	GB/T93-1987-10	垫圈 10	Spring lock washer 10	9	
28	GB/T5783-2000-M10×20	螺栓 M10×20	Hex. head bolt M10×20	4	
29	504G3.43.021	左制动拉线组合件	Left brake dragline	1	
30	354G3.43.102	拉杆叉头	Draw rod fork	2	
31	GB/T882-1986-B10×32	销轴 B10×32	Clevis pin with head B10×32	2	
32	504G3.43.109-1	左制动臂	Left brake rocker arm	1	
33	GB/T13871-1992-FB22×35×7	油封 FB22×35×7	Oil seal FB22×35×7	2	
34	504G3.43.112	弹簧挂板	Spring hanging board	2	
35	504G3.43.111	制动臂回位弹簧	Brake rocker arm return spring	2	
36	504G3.43.107	制动盘	Brake disc	2	
37	GB/T308-2002-7/8"	钢球 7/8"	Ball 7/8"	10	
38	504G3.43.106	压盘 (左)	Pressure plate (left)	1	
39	504G3.43.019-1	制动轴焊合件	Detent axis	2	
40	450.43.011	摩擦片总成	Brake driven disk	6	
41	450.43.103	摩擦片	Friction disc	6	
42	504G3.43.102-1	右制动臂	Right brake rocker arm	1	
43	504G3.43.108	压盘 (右)	Pressure plate (right)	1	
44	504G3.43.023	右拉线支座焊合件	Right dragline support weldment	1	
45	504G3.43.024	右制动拉线组合件	Right brake dragline	1	
46	504G3-3.43.015	手制动组合件	Park brake mechanism	1	
47	504G3.43.035	右连接套管焊合件	Right connect cannula weldment	1	
48	GB/T13527.2-1992-DT-14×0.6	DT-14×0.6	DT-14×0.6	1	L=23

19 座椅总成

Seat

504G3-E. 44. 001

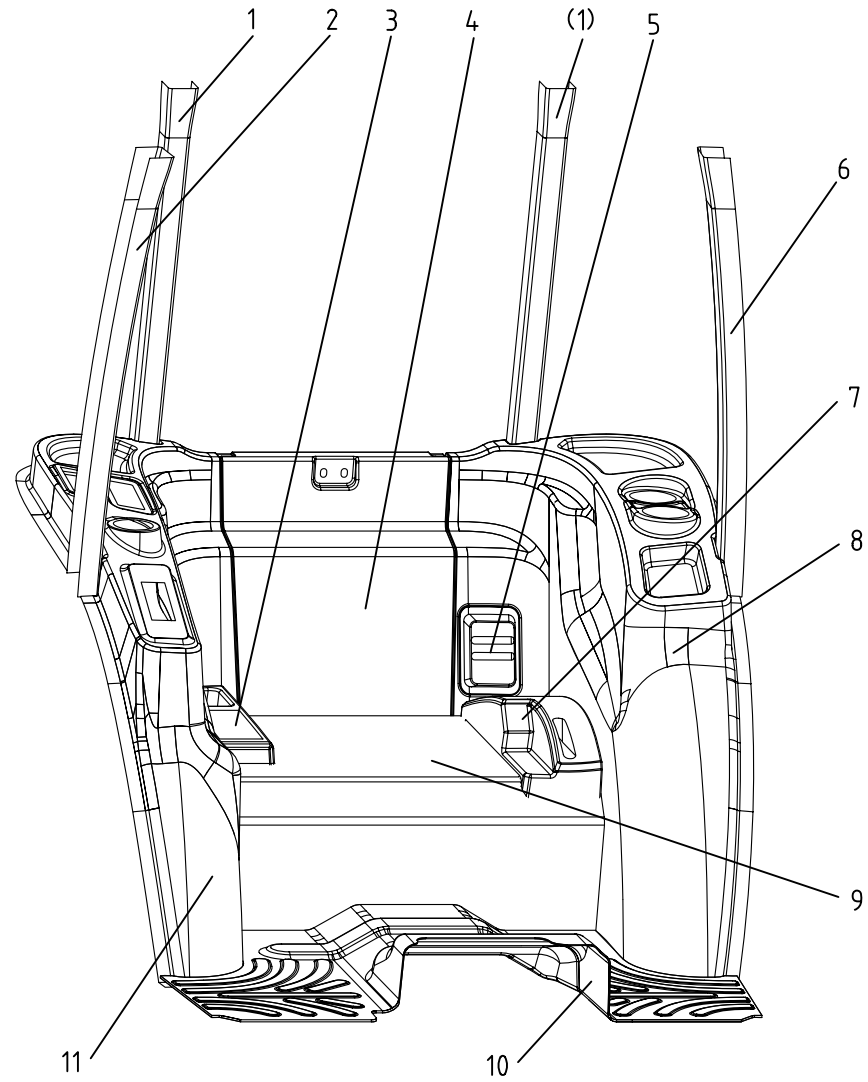


19 座椅总成 Seat

Ser.No.	Part No.	名称及规格	Name & Specifications	Quantity	Remarks
1	GB/T93-1987-8	垫圈 8	Spring lock washer 8	4	
2	GB/T5783-2000-M8×20	螺栓 M8x20	Bolt M8x20	4	
3	DS44/1HB	座椅	Seat	1	
	XL-SEAT-003	座椅	Seat	1	Optional
	YHG6-S23	座椅	Seat	1	Optional

20.1.1 驾驶室内饰总成 Cab trim Assembly

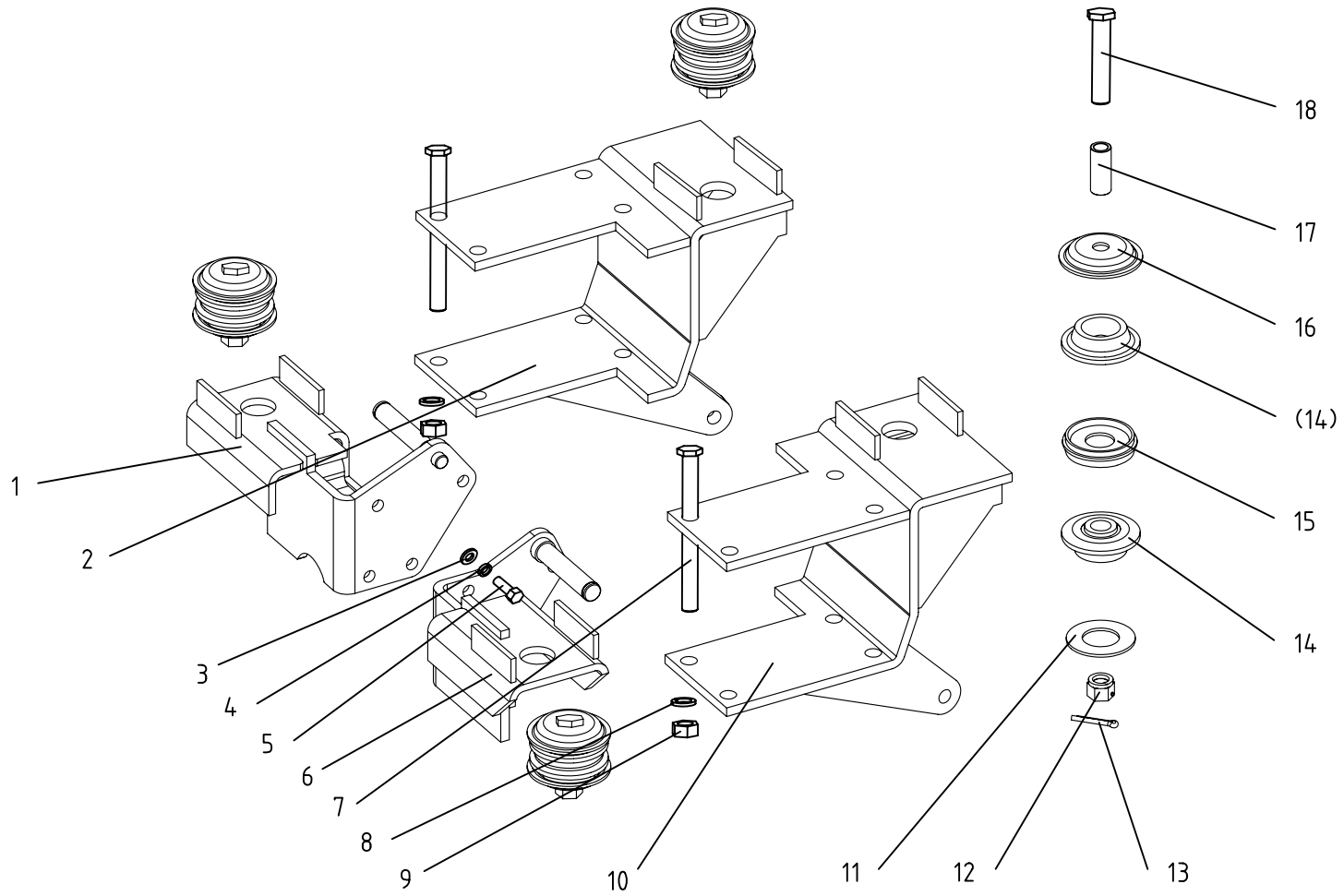
504G3-E.45.001



20.1.1 驾驶室内饰总成 Cab trim Assembly

Ser.No.	Part No.	名称及规格	Name & Specifications	Quantity	Remarks
1	504G3-E.45.420	后立柱内饰	Rear pillar trim	2	
2	504G3-E.45.422	右侧立柱内饰	Right pillar trim	1	
3	504G3-E.45.418	档位控制盒	Range shift control trim	1	
4	504G3-E.45.414	后围内饰板	Squab panel trim	1	
5	504G3-E.45.419	手柄控制盒	Handle control trim	1	
6	504G3-E.45.421	左侧立柱内饰	Left pillar trim	1	
7	504G3-E.45.417	刹车控制盒	Brake handle control trim	1	
8	504G3-E.45.412	左挡泥板内饰罩	Left mud shields rest trim	1	
9	504G3-E.45.415	座椅底板	Noise barrier for seat plank	1	
10	504G3-E.45.416	隔音底板	Noise barrier for floor	1	
11	504G3-E.45.413	右挡泥板内饰罩	Right mud shields rest trim	1	

20.1.2 驾驶室支撑
Backstops of Cab Assembly
504G3-E.45.001



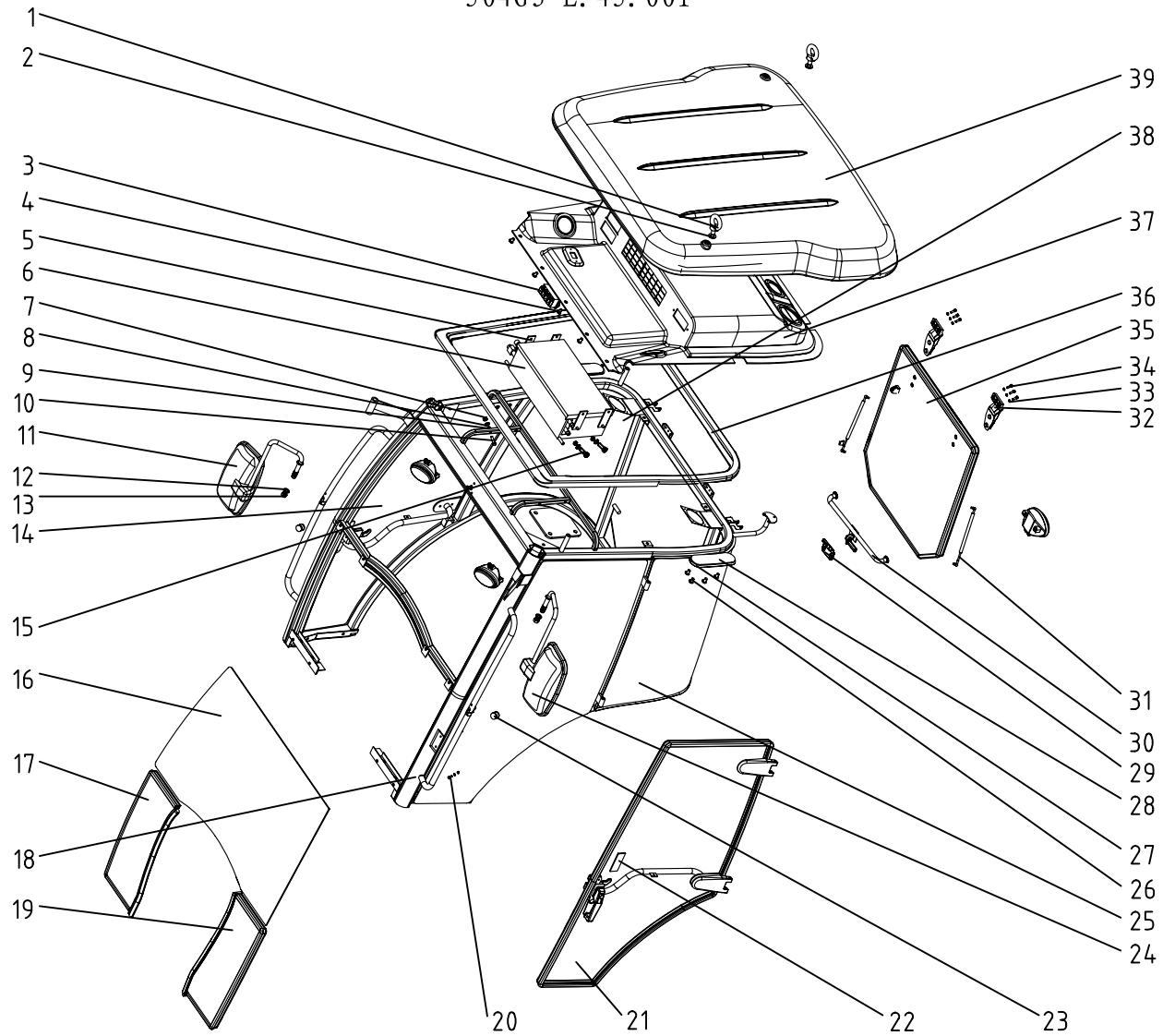
20.1.2 驾驶室支撑总成 Backstops of Cab Assembly

Ser.No.	Part No.	名称及规格	Name & Specifications	Quantity	Remarks
1	504G3-E.45.022	右前支承焊合件	Right-front backstop	1	
2	504G3-E.45.024	右后支承焊合件	Right-rear backstop	1	
3	GB/T97.1-2002-12	垫圈 12	Plain washer 12	8	
4	GB/T93-1987-12	垫圈 12	Spring lock washer 12	8	
5	GB/T5783-2000-M12×30	螺栓 M12×30	Hex. head bolt M12×30	8	
6	504G3-E.45.021	左前支承焊合件	Left-front backstop	1	
7	GB/T5782-2000-M16×210	螺栓 M16×210	Hex. head bolt M16×210	8	
8	GB/T93-1987-16	垫圈 16	Spring lock washer 16	8	
9	GB/T6170-2002-M16	螺母 M16	Hex. nut M16	8	
10	504G3-E.45.023	左后支承焊合件	Left-rear backstop	1	
11	GB/T96.1-2002-16	垫圈 16	Plain washer 16	4	
12	GB/T6181-1986-M16	螺母 M16	Hex. nut M16	4	
13	GB/T91-2000-4×30	销 4×30	Split pin 4×30	4	
14	504G3.51.124	减震圈	Rubber damping ring	8	
15	504G3-E.45.026	限位套焊合件	Limiting stopper	4	
16	504G3.51.123	护罩	Damping protecting cover	4	
17	504G3.51.125	护套	Damping block sleeve	4	
18	GB/T31.1-1988-M16×120	螺栓 M16×120	Hex. head bolt M16×120	4	

20.1.3 驾驶室总成

Cab Assembly

504G3-E. 45. 001



20.1.3 驾驶室总成 Cab Assembly

Ser.No.	Part No.	名称及规格	Name & Specifications	Quantity	Remarks
1	504G3.45.223	吊环垫片	Washer	2	
2	GB/T825-1988	吊环螺钉M12	Lifting eye bolt M12	2	
3	504G3.48A.102	四联板开关	Light switch	1	
4		内装固定螺钉	Set screw	As required	From trim supplier
5	550-1.45A.220	空调固定板	The steel plate fixed air conditioning	4	Optional
6	550-1.45A.059	空调系统组合件	Air conditioning	1	Optional
7	GB/T6170-2000-M8	螺母 M8	Hex. nut M8	12	
8	GB/T93-1987-8	垫圈 8	Spring lock washer 8	26	
9	GB/T97.1-2002-8	垫圈 8	Washer 8	26	
10	GB/T5783-2000-M8×35	螺栓M8x35	Hex.bolt M8×35	4	
11	550-1.45A.045	右后视镜组合件	Rearview mirror assembly (right)	1	
12	GB/T97.1-2002-10	垫圈 10	Washer 10	4	
13	GB/T6170-2000-M10	螺母 M10	Hex. nut M10	2	
14	504G3.45.042-1	右门组合件	Right door assembly	1	
15	GB/T5783-2000-M8×35	螺栓M8x35	Hex.bolt M8×35	4	
16	504G3-E.45.401	前窗玻璃	Front window	1	
17	504G3-E.45.403	前右挡风玻璃	Front right windscreen	1	
18	504G3-E.45.050	驾驶室焊合件	Cab assembly weldment	1	
19	504G3-E.45.402	前左挡风玻璃	Front left windscreen	1	
20	GB/T5783-2000-M8×40	螺栓M8x40	Hex.bolt M8×40	4	
21	504G3.45.041-1	左门组合件	Left door assembly	1	
22	550-1.45A.223	门锁警告标志	Door lock warning sign	2	
23	504G3.45.368	橡胶套	Rubber sheath	2	
24	550-1.45A.052	左后视镜组合件	Rearview mirror assembly (left)	1	
25	504G3.45.211	左侧后窗玻璃	The left side rear window	1	

20.1.3 驾驶室总成 Cab Assembly

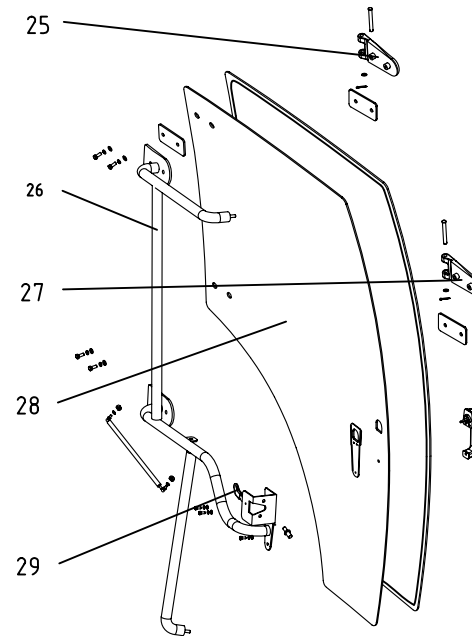
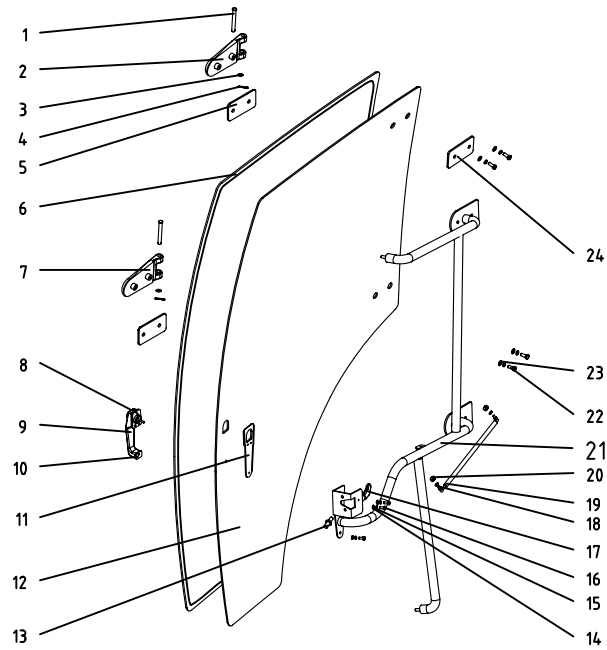
续表

Ser.No.	Part No.	名称及规格	Name & Specifications	Quantity	Remarks
26	GB/T845-1985-ST4.8×16	自攻螺钉 ST4.8×16	Self tapping screw ST4.8×16	8	
27	504G3.45.364	换气窗盖板	Vent cover plate	2	
28	504G3.45.365	换气窗海绵	Vent the sponge	2	
29	550-1.45A.216	后窗锁挡板	Rear window lock baffle	1	
30	550-1.45A.049	后窗锁组合件	Rear window lock assembly	2	
31	504G3.45.051	后窗气弹簧组合件	Gas spring	2	
32	550-1.45A.055	后窗玻璃铰链组合件	Air conditioning air inlet	1	
33	GB/T93-1987-6	垫圈6	Spring lock washer 6	9	
34	GB/T70.1-2000-M6×20	螺钉 M6×20	Nut bolt M6×20	7	
35	504G3.45.215	后窗玻璃	Rear window	1	
36	504G3.45.221	顶棚海绵垫	Plafond sponge	1	
37	504G3.45.056	顶棚内装饰组合件	Top decorate combination	1	
38	504G3.45.218	右侧后窗玻璃	The right side rear window	1	
39	504G3.45.091	顶棚	Top	1	

20.1.4 门合件

The door

504G3-E.45.001



20.1.4 驾驶室门合件 The Door

Ser.No.	Part No.	名称及规格	Name & Specifications	Quantity	Remarks
1	GB/T882-1986-B10×85	销轴 B10×85	Hinge pin B10×85	4	
2	550-1.45A.363	门铰链右(一)合件	Right door butt assembly(1)	5	
3	GB/T97.1-2002-10	垫圈 10	Washer 10	4	
4	GB/T91-2000-3.2×20	开口销 3.2×20	Cotter 3.2×20	4	
5	550-1.45A.290	门铰链橡胶垫(二)	Door butt rubber blanket	8	
6	800.47.101	密封胶条	Sealing rubber strip	As required	
7	550-1.45A.361	门铰链(二)合件	Door butt assembly(2)	2	
8	550-1.45A.288	门锁橡胶垫(一)	Gate lock rubber blanket(1)	2	
9	550-1.45A.076	门锁组合件	Gate lock	2	
10	550-1.45A.289	门锁橡胶垫(二)	Gate lock rubber blanket(2)	2	
11	550-1.45A.291	门锁橡胶垫(三)	Gate lock rubber blanket(3)	2	
12	550-1.45A.298	右门玻璃	The right door glass	1	
13	550-1.45A.292	锁柱	Lock barrel	2	
14	GB/T97.1-2002-6	垫圈 6	Washer 6	10	
15	GB/T93-1987-6	垫圈 6	Spring lock washer 6	10	
16	GB/T818-1985-M6×20	螺钉 M6×20	nut bolt M6×20	10	
17	550-1.45A.080	门右锁芯合件	Door lock (right)	1	
18	GB/T93-1987-8	垫圈 8	Spring lock washer 8	12	
19	QD14-390x150x200N-BB	气弹簧	Gas spring	4	
20	GB/T6170-2000-M8	螺母-M8	Hex. nut M8	4	
21	504G3.45.081-1	右门扶手焊合件	Door armrest weldment(right)	1	
22	GB/T5783-2000-M8×20	螺栓 M8×20	Hex.bolt M8×20	8	
23	GB/T97.1-2002-8	垫圈8	Washer 8	8	
24	550-1.45A.284	门铰链衬板	Door butt scaleboard	1	
25	550-1.45A.360	门铰链A	Left door butt A	1	

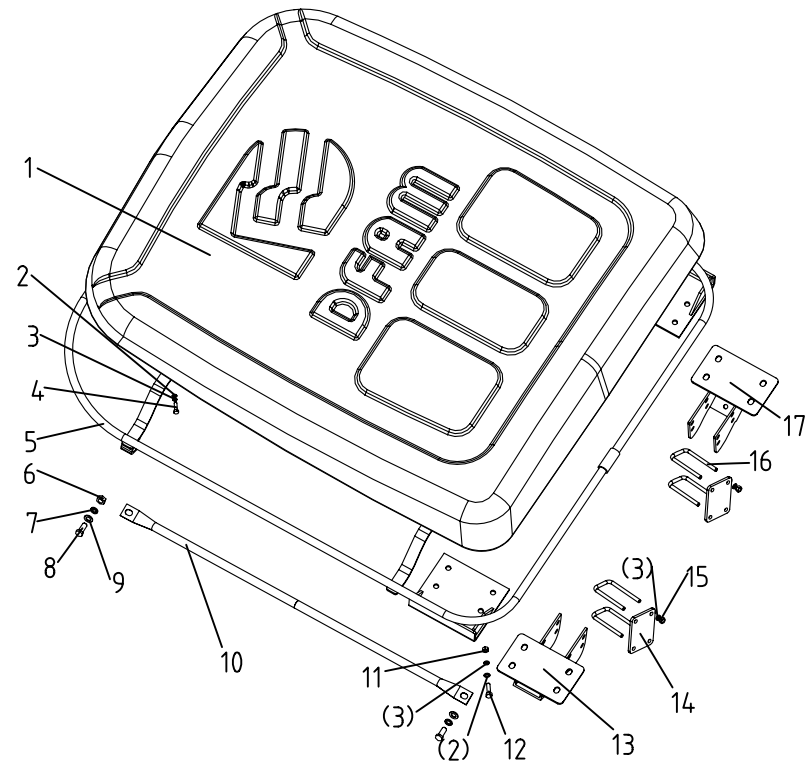
20.1.4 驾驶室门合件 The Door

续表

Ser.No.	Part No.	名称及规格	Name & Specifications	Quantity	Remarks
26	504G3.45.077-1	左门扶手焊合件	Door armrest weldment(left)	1	
27	550-1.45A.361	门铰链B	Door butt B	1	
28	504G3.45.285-1	左门玻璃	The left door glass	1	
29	550-1.45A.078	门左锁芯合件	Door lock (left)	1	

20.2 遮阳篷总成 Sunshade (Optional)

304-9A.45.001

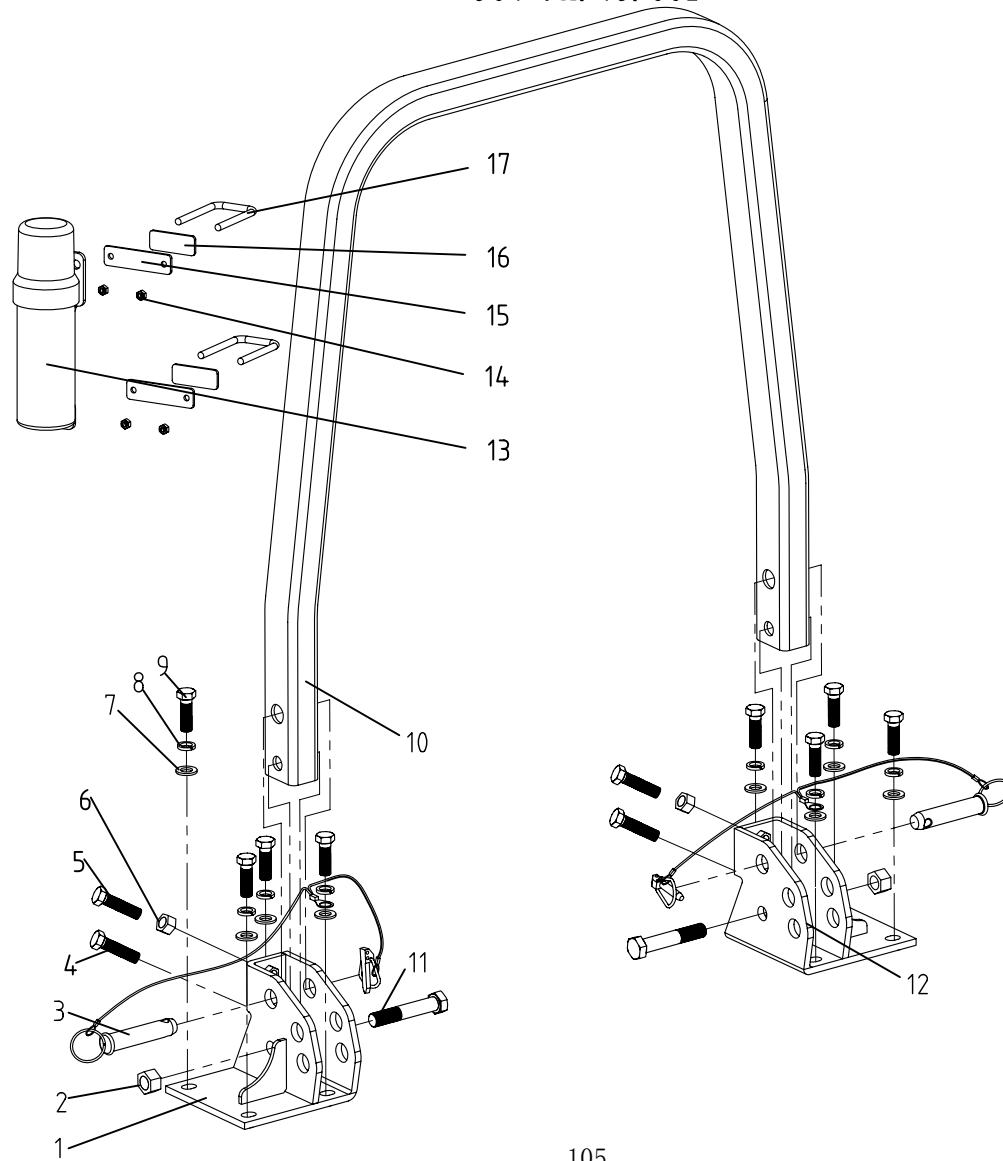


20.2 遮阳篷总成 Sunshade

Ser.No.	Part No.	名称及规格	Name & Specifications	Quantity	Remarks
1	254G3.45.101	遮阳篷	Sunshade	1	
2	GB/T97.1-2002-12	垫圈 12	Plain washer 12	16	
3	GB/T93-1987-12	垫圈 12	Spring lock washer 12	12	
4	GB/T5783-2000-M12×25	螺栓 M12×25	Hex. head bolt M12×25	4	
5	304-9A.45.011	上支撑架焊合件	Ascending shore	1	
6	GB/T6170-2000-M10	螺母 M10	Hex. nut M10	2	
7	GB/T93-1987-10	垫圈 10	Spring lock washer 10	4	
8	GB/T97.1-2002-10	垫圈 10	Plain washer 10	4	
9	GB/T5783-2000-M10×30	螺栓 M10×30	Hex. head bolt M10×30	4	
10	304-9A.45.101	支撑钢管	Support tube	2	
11	GB/T6170-2000-M12	螺母 M12	Hex. nut M12	8	
12	GB/T5783-2000-M12×35	螺栓 M12×35	Hex. head bolt M12×35	8	
13	304-9A.45.016	下支撑座焊合件 (左)	Left shore	1	
14	304-9A.45.102	固定板	Immobility board	2	
15	GB/T6182-2000-M12	螺母 M12	Hex. nut M12	4	
16	304-9A.45.103	U型螺栓	U-bolt	4	
17	304-9A.45.017	下支撑座焊合件 (右)	Right shore	1	

21 安全架总成 Safety Frame

304-9A.46.001



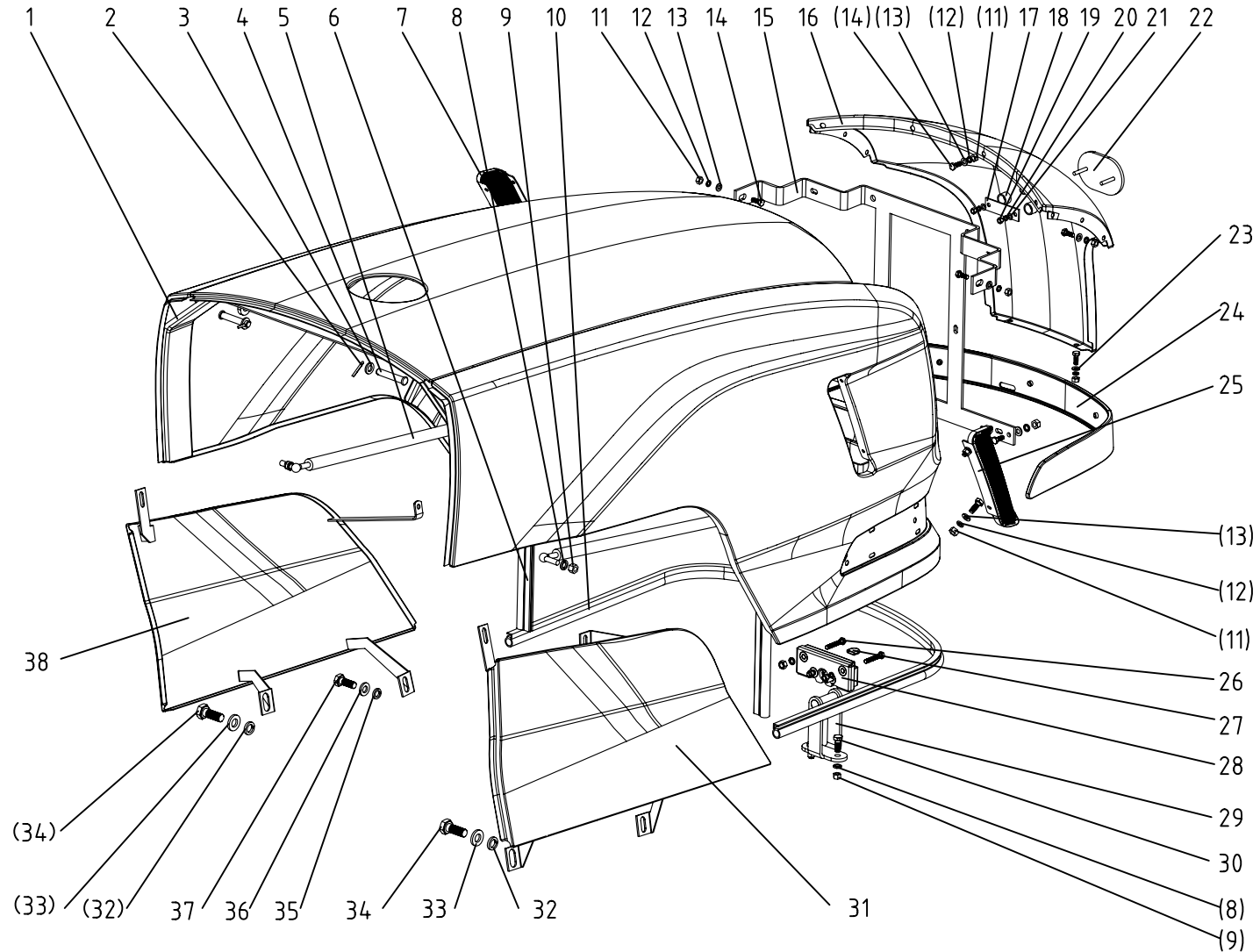
21 安全架总成 Safety Frame

Ser.No.	Part No.	名称及规格	Name & Specifications	Quantity	Remarks
1	304-9A.46.011	左安全架座焊合件	Left bracket,Safety frame	1	
2	GB/T 889.2-2000-M20×1.5	螺母 M20×1.5	Hex. nut M20×1.5	2	
3	304-9A.46.014	锁销合件	Lock pin	2	
4	GB/T5783-2000-M12×45	螺栓 M12×45	Hex. head bolt M12×45	2	
5	GB/T5783-2000-M12×65	螺栓 M12×65	Hex. head bolt M12×65	2	
6	GB/T6170-2000-M12	螺母 M12	Hex. nut M12	2	
7	GB/T97.1-2002-16	垫圈 16	Plain washer 16	8	
8	GB/T93-1987-16	垫圈 16	Spring lock washer 16	8	
9	GB/T5783-2000-M16×45	螺栓 M16×45	Hex. head bolt M16×45	8	
10	304-9A.46.013	安全架焊合件	Safety Frame	1	
11	GB/T5785-2000-M20×1.5×110	螺栓 M20×1.5×110	Hex. head bolt M20×1.5×110	2	
12	304-9A.46.012	右安全架座焊合件	Right bracket,Safety frame	1	
13	254-5.49.103	手册资料筒	Manual holder	1	
14	GB/T6170-2000-M8	螺母 M8	Hex. nut M8	4	
15	254G3.46.103	抱箍固定板	Fixed plate	2	
16	254G3.46.104	橡胶固定板	Shim plate	2	
17	304-9A.46.161	U形螺栓	U-bolt	2	

22.1 机罩仪表罩总成 (A)

Hood and Panel (A)

504G3-E. 47. 001/504G3-3. 47. 001



22.1 机罩仪表罩总成 (A) Hood and Panel (A)

Ser.No.	Part No.	名称及规格	Name & Specifications	Quantity	Remarks
1	504G3.47.011	机罩焊合件	Engine Hood	1	
2	GB/T91-2000-3.2×32	销 3.2×32	Split pin 3.2×32	2	
3	GB/T97.1-2002-10	垫圈 10	Plain washer 10	2	
4	GB/T882-1986-B10×60	销轴 B10×60	Clevis pin with head B10×60	2	
5	QD16-695×293×380-BB	压缩气弹簧	Gas spring	2	
6	TFT.70.012	30#密封条	Rubber bar	2	L=400
7	404-11.47.105	左侧风窗	Left radiator grill	1	
8	GB/T93-1987-8	垫圈 8	Spring lock washer 8	6	
9	GB/T6170-2000-M8	螺母 M8	Hex. Nut M8	4	
10	800.47.101	密封胶条	Rubber ring	1	L=1340
11	GB/T6170-2000-M6	螺母 M6	Hex. Nut M6	26	
12	GB/T93-1987-6	垫圈 6	Spring lock washer 6	28	
13	GB/T97.1-2002-6	垫圈 6	Plain washer 6	17	
14	GB/T5783-2000-M6×16	螺栓 M6×16	Hex. head bolt M6×16	22	
15	504-4.47A.014	灯支架焊合件	Bracket	1	
16	504-4.47A.103	前网板	Front cover	1	
17	300.47.113	标牌安装板	Brand mark plate carrier	1	
18	350.47A.104	标牌垫套	Brand mark cushion sleeve	2	
19	GB/T6170-2000-M5	螺母 M5	Hex. Nut M5	2	
20	GB/T93-1987-5	垫圈 5	Spring lock washer 5	2	
21	GB/T97.1-2002-5	垫圈 5	Plain washer 5	2	
22	550.47E.101	DF标牌	DF brand	1	DF
23	GB/T96.2-1985-6	垫圈 6	Plain washer 5	12	
24	504G3.47.018	前围装饰板组合件	Front garnish	1	
25	404-11.47.106	右侧风窗	Right radiator grill	1	

22.1 机罩仪表罩总成 (A) Hood and Panel (A)

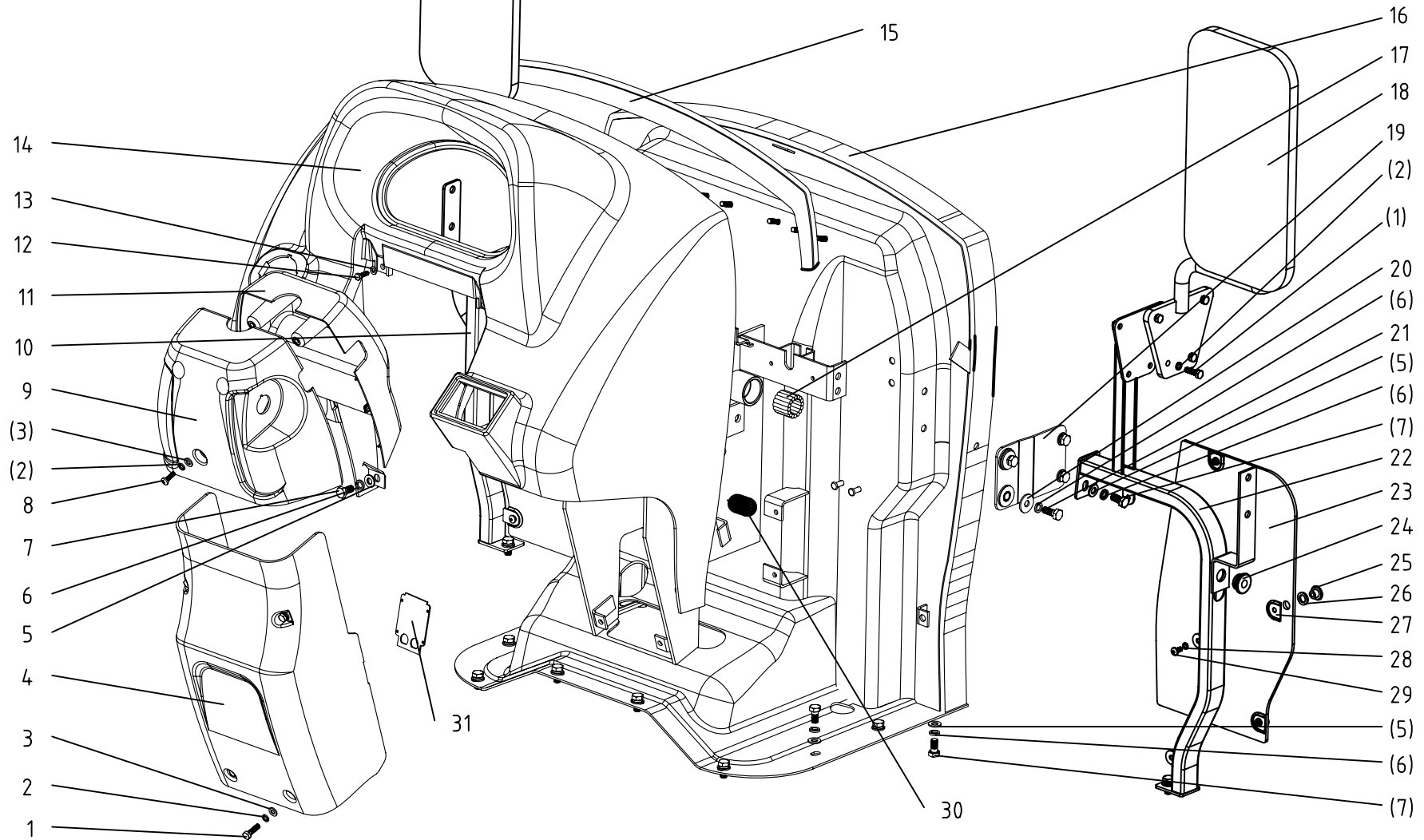
续表

Ser.No.	Part No.	名称及规格	Name & Specifications	Quantity	Remarks
26	GB/T5783-2000-M6×35	螺栓 M6×35	Hex. head bolt M6×35	4	
27	550.47E.105-1	机罩锁套	Rubber sheath	1	
28	550.47E.026	机罩锁	Hood lock	1	
29	504G3-3.47.012	机罩锁销焊合件	Lockpin	1	
30	GB/T5783-2000-M8×20	螺栓 M8×20	Hex. head bolt M8×20	2	
31	504G3-E.47.017	左下侧板焊合件	Left hood side under panel	1	
32	GB/T93-1987-16	垫圈 16	Spring lock washer 16	2	
33	GB/T97.1-2002-16	垫圈 16	Plain washer 16	2	
34	GB/T5783-2000-M16×35	螺栓 M16×35	Hex. head bolt M16×35	2	
35	GB/T93-1987-14	垫圈 14	Spring lock washer 14	1	
36	GB/T97.1-2002-14	垫圈 14	Plain washer 14	1	
37	GB/T5783-2000-M14×25	螺栓 M14×25	Hex. head bolt M14×25	1	
38	504G3-E.47.018	右下侧板焊合件	Right hood side under panel	1	

22.2 机罩仪表罩总成 (B)

Hood and Panel (B)

504G3-E. 45. 001/504G3-3. 47. 001



22.2 机罩仪表罩总成 (B) Hood and Panel (B)

Ser.No.	Part No.	名称及规格	Name & Specifications	Quantity	Remarks
1	GB/T5783-2000-M6×20	螺栓 M6×20	Hex. head bolt M6×20	16	For cab
2	GB/T93-1987-6	垫圈 6	Spring lock washer 6	27	
3	GB/T97.1-2002-6	垫圈 6	Plain washer 6	16	
4	504G3.47.103	方向器底座罩壳	Redirector pedestal mantle	1	
	504G3-E.45.103	方向器底座罩壳	Redirector pedestal mantle	1	
5	GB/T97.1-2002-8	垫圈 8	Plain washer 8	20	
6	GB/T93-1987-8	垫圈 8	Spring lock washer 8	24	
7	GB/T5783-2000-M8×16	螺栓 M8×16	Hex. head bolt M8×16	12	
8	GB/T818-2000-M6×16	螺钉 M6×16	Philips pan head screw M6×16	3	
9	504G3-3.47.103	方向器后罩壳	Redirector back mantle	1	
10	504G3.47.016-2	左框架焊合件	Left frame clsss weldment	1	
11	504G3.47.014	方向器前罩壳组合件	Redirector forward mantle	1	
12	GB/T818-2000-M5×16	螺栓 M5×16	Hex. head bolt M5×16	2	
13	GB/T97.1-2002-5	垫圈 5	Plain washer 5	2	
14	504G3.47.101	仪表罩	Engine Hood	1	
15	YC0542020442	仪表台密封条	Stamping steel ribbon	demand	
16	504G3-3.47.011-1	仪表罩框架焊合件	Hood frame clsss weldment	1	
17	GB/T5846-1989-K25×31×25	滚针轴承 K25×31×25	Needle bearing K25×31×25	2	
18	A3-1	后视镜	Rearview mirror	2	
19	504G3.47.025	连接板组合件	Joint plate	2	
20	GB/T96-1985-8	垫圈 8	Plain washer 8	4	
21	GB/T5783-2000-M8×20	螺栓 M8×20	Hex. head bolt M8×20	8	
22	504G3.47.022-2	右框架焊合件	Right frame clsss weldment	1	
23	504G3.47.228	挡风玻璃	Windshield	2	
24	504G3.51.102	橡胶套	Rubber sheath	2	

22.2 机罩仪表罩总成 (B) Hood and Panel (B)

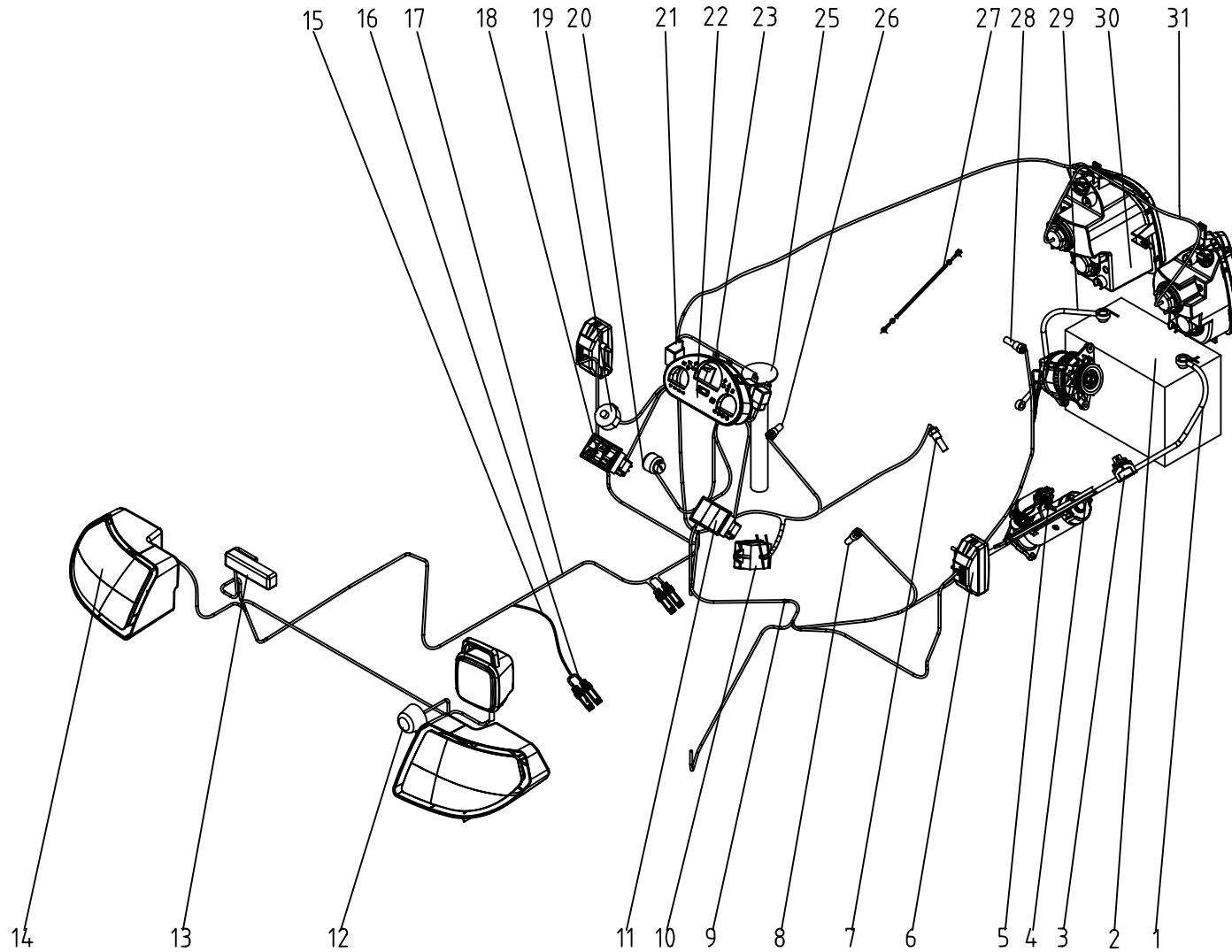
续表

Ser.No.	Part No.	名称及规格	Name & Specifications	Quantity	Remarks
25	504G3.47.225	玻璃固定用螺母M5	Hex. Nut M5	6	
26	504G3.47.226	玻璃固定用橡胶垫5	Rubber washer 5	6	
27	504G3.47.227	玻璃固定用塑料垫5	Plastic washer 5	6	
28	GB/T93-1987-5	垫圈 5	Spring lock washer 5	6	
29	GB/T818-2000-M5×8	螺钉 M5×8	Philips pan head screw M5×8	6	
30	504G3.47.108	线束橡胶套	wiring harness rubber cover	1	
31	504G3-E.45.029	后密封板焊合件	Rear sealplate	1	

23. A. 1 电气系统总成

Electrical System

504G3-E. 48. 001



23. A. 1 电气系统总成 Electrical System

Ser.No.	Part No.	名称及规格	Name & Specifications	Quantity	Remarks
1	504G3.48.016	蓄电池正极-总电源开关电缆总	Elastic cable paper	1	
2	6-QW-90	免维护蓄电池	Battery	1	
3	254G3.48.019	总电源开关 (DHKG904)	General supply switch	1	
4	504G3.48.017	起动-电源总开关连接电缆线	Elastic cable paper	1	
5	504G3-E.48.003-1	起动-发电机线束	Starting motor wiring harness	1	
6	300-6.48.020-1	转向灯	Steering lamp	2	
7	504G3.48.104	油压传感器	Oil pressure sensor	1	
8	504G3.48.103	转速传感器 (M18×1.5)	rotation speed senser (M18×1.5)	1	
9	504G3-E.48A.013	挡泥板接地线	Mad guard ground wire	1	
10	504G3.48.020	保险丝盒线束	Fuse box	1	
11	504G3.48.027	三联板开关盖板 (JK938A)	Caution light swich cover	1	
12	JB3762-84	拖车插座	Tow truck jack	1	
13	300-6.48.019-1	牌照灯	License lamp	1	
14	404-11.48.022/023	左/右组合后灯	Combination rear signal lamp	2	
15	504G3.48B.015	PTO接近开关线束	PTO approach switch harness	1	
16	504G3.48A.104	PNP接近传感器	approach switch	2	
17	504G3.48A.013	挡泥板线束	Rear wiring harness	1	
18	504G3-E.48.026	三联板开关	Caution light swich	1	
19	304G2-6.48.103	组合开关	Multi-function switch	1	
20	504G3.48.022	预热起动开关	Pre-heating starting switch	1	
21	504G3.48.105	起动开关标牌	Starting scutcheon	1	
22	HX-SG102A	复合报警闪光器	Flasher	1	
23	504G3-E.48A.021	组合仪表 (EC)	Combination meter	1	
24	1912型	起动继电器 (12V 40A)	Starting relay	7	
25	504G3.48.101	油量传感器	Oil level sensor	1	

23. A. 1 电气系统总成 Electrical System

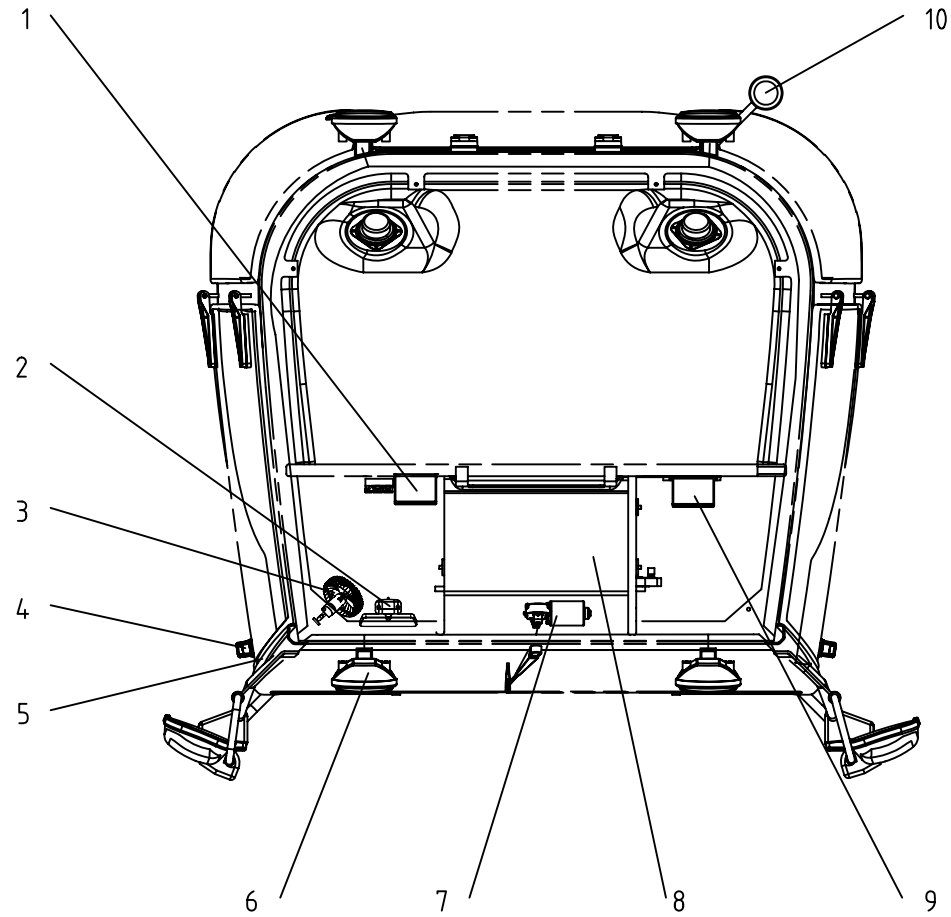
续表

Ser.No.	Part No.	名称及规格	Name & Specifications	Quantity	Remarks
26	JK231B	制动灯开关（常闭）	Brakelight switch	1	
27	504G3.48.014	预热器接地线	Preheater ground wire	1	
28	504G3.48.102	水温传感器	Water temperature sensor	1	
29	504G3.48.015	蓄电池负极电缆总成	Battery cable	1	
30	404-11.48.020/021	前左/右前大灯	Head lamp	2	
31	504G3-E.48.004-1	灯光-控制线束	Light control wiring harness	1	

23. A. 2 驾驶室电气系统总成

CAB Electrical System

504G3-E. 48. 010

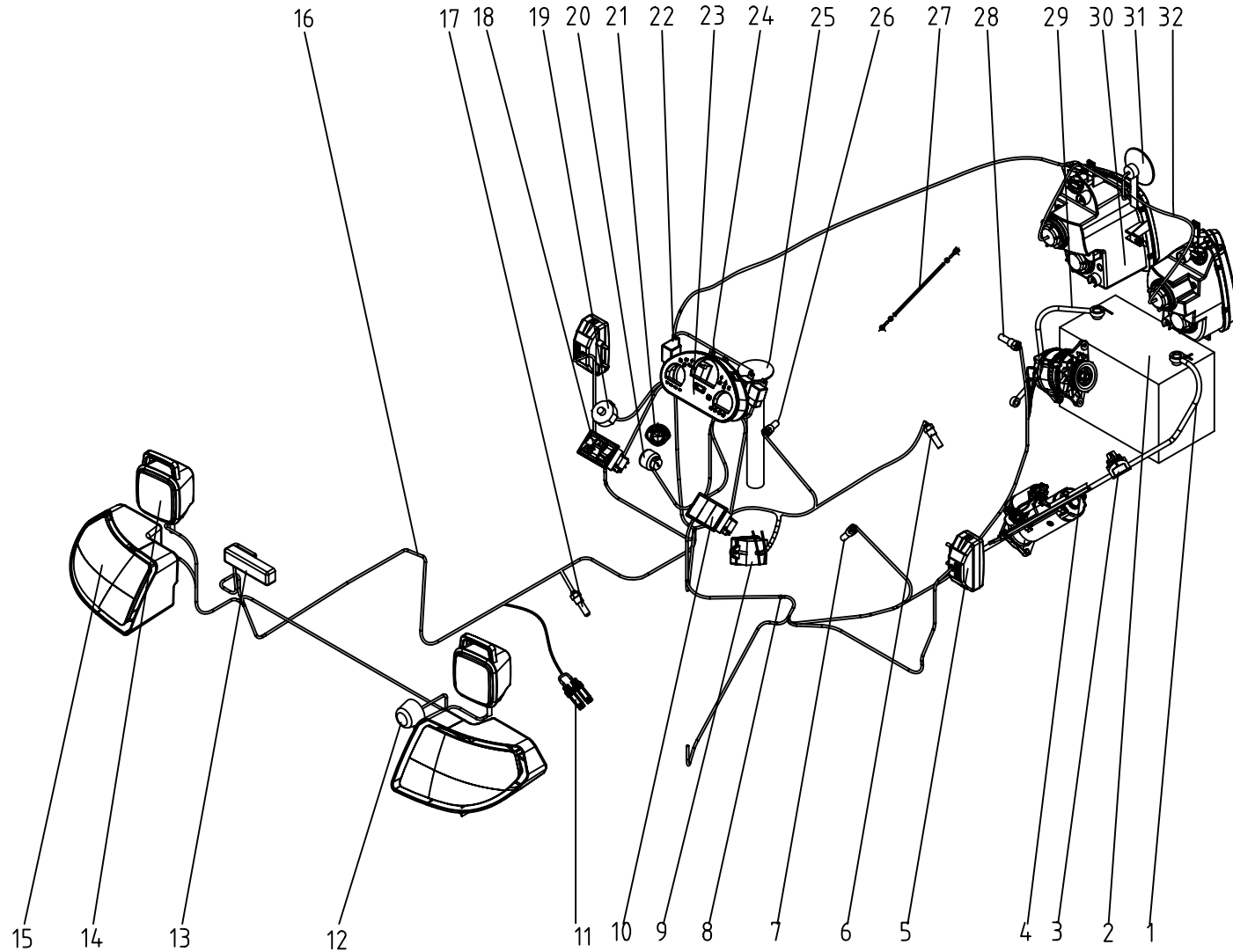


23. A. 2 驾驶室电气系统总成 CAB Electrical System

Ser.No.	Part No.	名称及规格	Name & Specifications	Quantity	Remarks
1	550-1.65.023	收音机	Radio	1	
2	550-1.65.025	室内顶灯和后照镜组合件	Ceiling lamp and inside rear-view mirror	1	
3	550-1.65.024	电风扇合件	Fan	1	
4	300-6.48.020-1	转向灯组合件	Turn signal lamp	2	
5	504G3-E.48.005-1	驾驶室线束	Cab wiring harness	1	
6	550-1.65.026	照明灯总成	Working lamp	4	
7	ZD1232	雨刮电机	Indscreen wiper motor	1	
8	550-1.78.011	暖风机总成	Warm air heating radiator	1	Optional
		空调总成	A/C	1	Optional
9		空调开关盒组合件	A/C switch	1	
10	550-1.65.027	慢速报警灯	Low-speed warning tell-tale	1	

23.B 电气系统总成 Electrical System

504G3-E.48A.001



23. B 电气系统总成 Electrical System

Ser.No.	Part No.	名称及规格	Name & Specifications	Quantity	Remarks
1	504G3.48.016	蓄电池正极-总电源开关电缆总	Elastic cable paper	1	
2	6-QW-90L	免维护蓄电池	Battery	1	
3	254G3.48.019	总电源开关 (DHKG904)	General supply switch	1	
4	504G3.48.017	起动-电源总开关连接电缆线	Elastic cable paper	1	
5	504G3.48.021	S116转向灯	Steering lamp	2	
6	504G3.48.104	油压传感器	Oil pressure sensor	1	
7	504G3.48.103	转速传感器 (M18×1.5)	rotation speed senser (M18×1.5)	1	
8	504G3-E.48A.012	主线束	Main wiring harness	1	
9	504G3.48.020	保险丝盒	Fuse box	1	
10	504G3.48.027	三联板开关盖板 (JK938A)	Caution light swich cover plate	1	
11	504G3.48A.104	PNP接近开关	approach switch	4	
12	JB3762-84	拖车插座	Tow truck jack	1	
13	300-6.48.019-1	牌照灯	License lamp	1	Optional
14	804-6.48.024	后工作灯	Tail lamp	2	
15	404-11.48.022/023	左/右后尾灯	Combination rear signal lamp	2	
16	504G3.48A.013	挡泥板线束	Rear wiring harness	1	
17	JB1041	安全起动开关	Safe starting switch	1	
18	504G3.48.026	三联板开关 (JK938A)	Caution light swich	1	
19	304G2-6.48.103	组合开关	Multi-function switch	1	
20	504G3.48.022	预热起动开关	Pre-heating starting switch	1	
21	504G3.48.105	起动开关标牌	Starting scutcheon	1	
22	HX-SG102A	复合报警闪光器	Flasher	1	
23	504G3-E.48A.021	组合仪表 (EC)	Combination meter	1	
24	1912型	继电器 (12V, 40A) (五脚)	Starting relay	8	
25	504G3.48.101	油量传感器	Oil level sensor	1	

23. B 电气系统总成 Electrical System

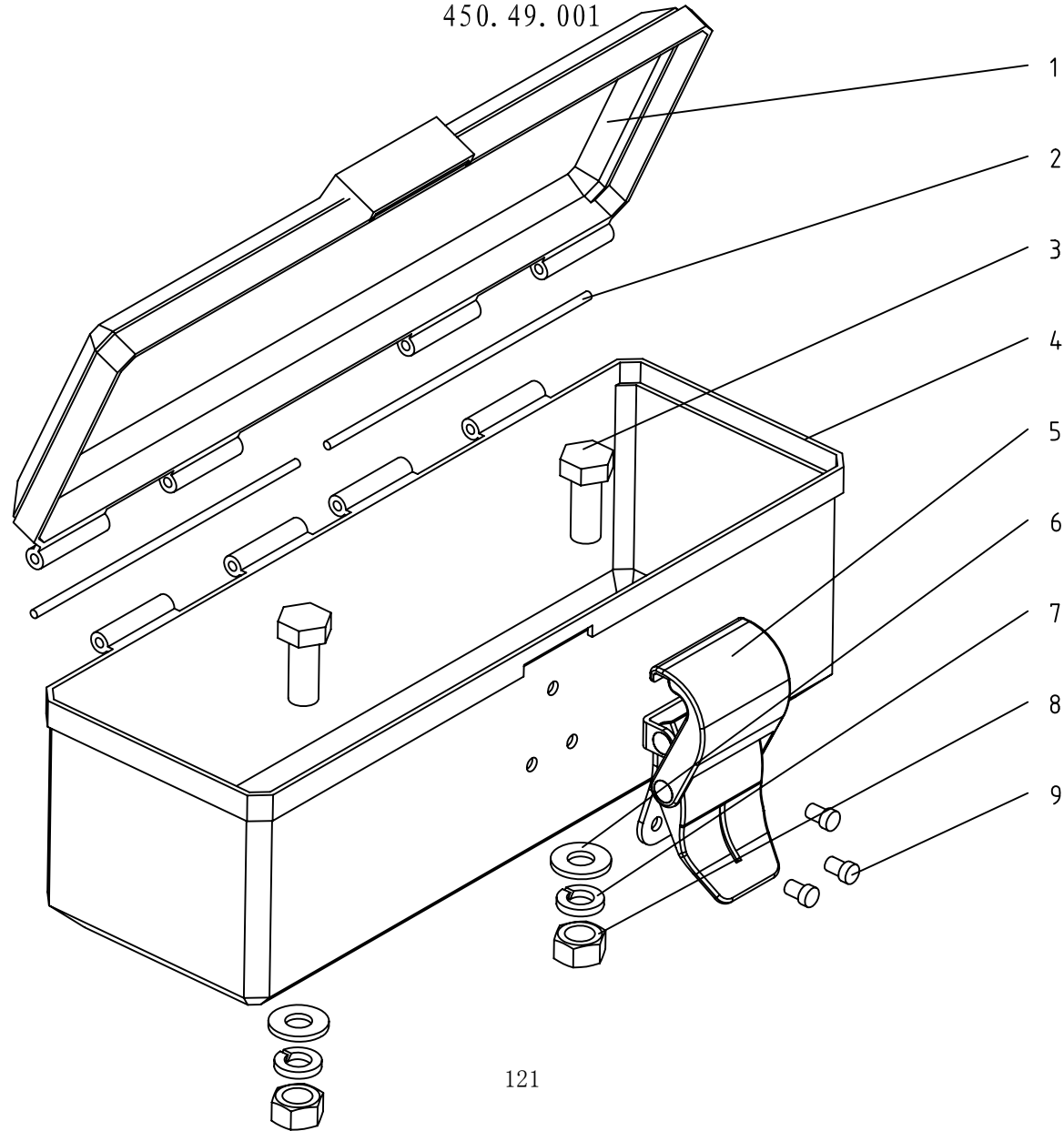
续表

Ser.No.	Part No.	名称及规格	Name & Specifications	Quantity	Remarks
26	JK231B	制动灯开关（常闭）	Brakelight switch	1	
27	504G3-E.48A.013	挡泥板接地线	Mad guard ground wire	1	
28	504G3.48.102	水温传感器	Water temperature sensor	1	
29	504G3.48.015	蓄电池负极电缆总成	Battery cable	1	
30	404-11.48.020/021	左前/右前大灯	Head lamp	2	
31	DL-124D	电喇叭	Electrucity horn	1	
32	504G3.48A.011	前线束	Front wiring harness	1	

24 工具箱总成

Tool Box

450.49.001



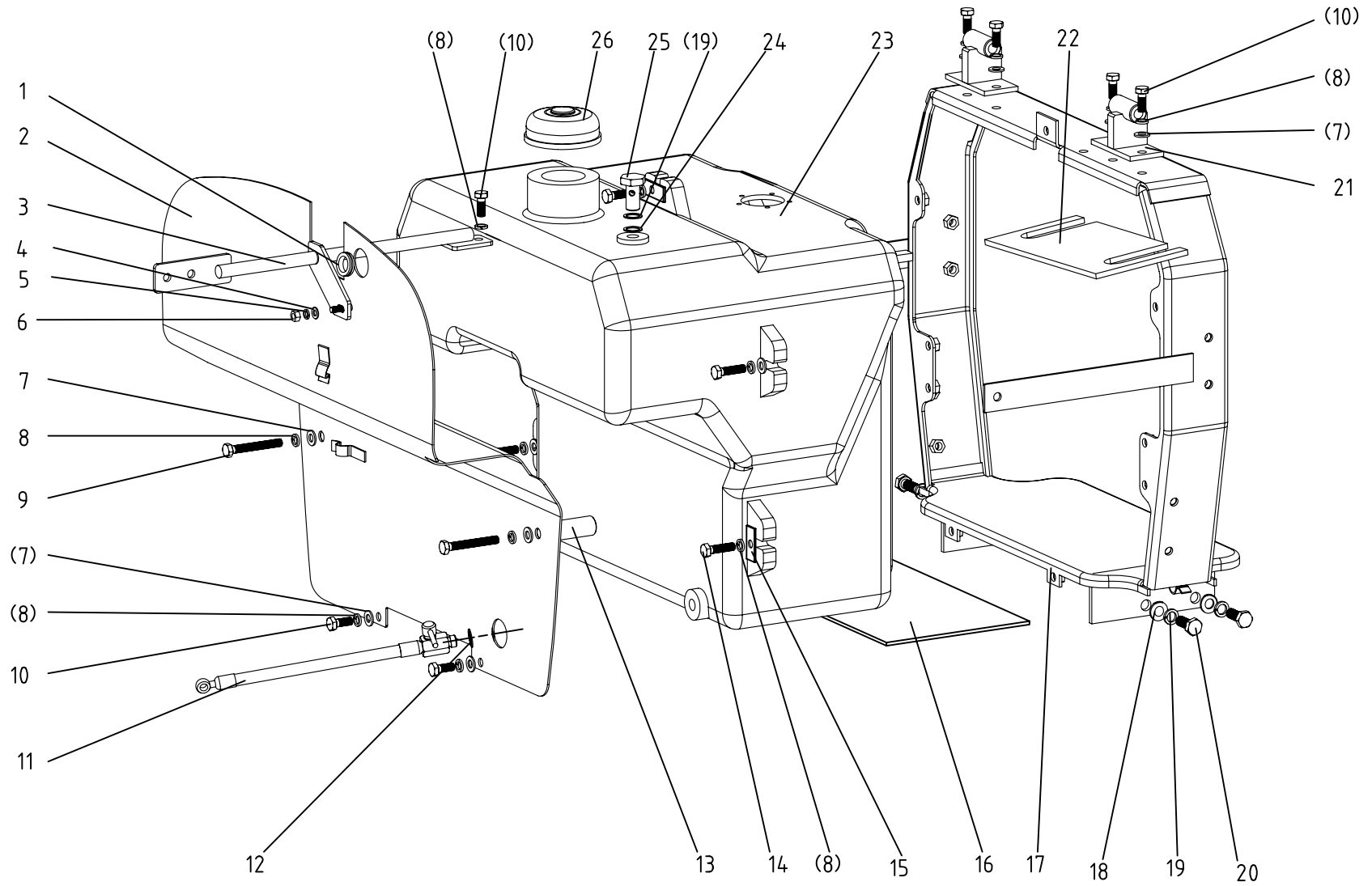
24 工具箱总成 Toolbox

Ser.No.	Part No.	名称及规格	Name & Specifications	Quantity	Remarks
1	450.49.101	工具箱盖	Toolbox cover	1	
2	450.49.106	连接钢丝	Connecting wire-steel	2	
3	GB/T5783-2000-M8×16	螺栓M8×16	Hex. head bolt M8×16	2	
4	450.49.102	工具箱体	Toolbox case	1	
5	450.49.011	锁销总成	Lockpin	1	
6	GB/T97.1-2002-8	垫圈8	Plain washer 8	2	
7	GB/T93-1987-8	垫圈8	Spring lock washer 8	2	
8	GB/T6170-2000-M8	螺母 M8	Hex. nut M8	2	
9	GB/T12618-1990-5×10	抽芯铆钉5×10	Self-plugging rivet 5×10	3	

25 燃油箱总成

Fuel Tank

504G3-E. 50. 001



25 燃油箱总成 Fuel Tank

Ser.No.	Part No.	名称及规格	Name & Specifications	Quantity	Remarks
1	504G3.50.116	油箱回油护圈	Fuel tank oil return retainer	1	
2	504G3.50.013-2	隔热板焊合件	Adiabatic board	1	
3	504G3-E.50.016	油箱支架撑杆焊合件	Knighthead	1	
4	GB/T97.1-2002-6	垫圈 6	Plain washer 6	1	
5	GB/T93-1987-6	垫圈 6	Spring lock washer 6	1	
6	GB/T6170-2000-M6	螺母 M6	Hex. nut M6	5	
7	GB/T97.1-2002-8	垫圈 8	Plain washer 8	12	
8	GB/T93-1987-8	垫圈 8	Spring lock washer 8	18	
9	GB/T5782-2000-M8×60	螺栓 M8×60	Hex. head bolt M8×60	2	
10	GB/T5783-2000-M8×20	螺栓 M8×20	Hex. head bolt M8×20	7	
11	850-2.50.020	胶管总成	Pipe	1	
12	JB-FT-CU-14	组合铜垫圈 14	Combination washer 14	1	
13	504G3.50.120	隔热板固定管	Adiabatic board fixed pipe	1	
14	GB/T5783-2000-M8×30	螺栓 M8×30	Hex. head bolt M8×30	5	
15	304G2-6.50.101	油箱垫圈	Fuel tank plain washer	5	
16	504G3.50.115	橡胶垫板	Rubber pad	1	
17	504G3-3.50.012	油箱支架焊合件	Fuel tank cradle	1	
18	GB/T97.1-2002-10	垫圈 10	Plain washer 10	4	
19	GB/T93-1987-10	垫圈 10	Spring lock washer 10	4	
20	GB/T5783-2000-M10×25	螺栓 M10×25	Hex. head bolt M10×25	4	
21	504G3.50.015	固定座焊合件	Fix plate	2	
22	504G3.50.180	固定座调整板	Adjusting plate for Fix plate	1	
23	354G3.50.011	燃油箱合件	Fuel tank	1	
24	JB-FT-CU-12	组合铜垫圈 12	Combination washer 12	2	
25	JB/T6013-2000-M12×1.25	铰接螺栓 M12×1.25	Hollow hex.head bolt M12×1.25	1	

25 燃油箱总成 Fuel Tank

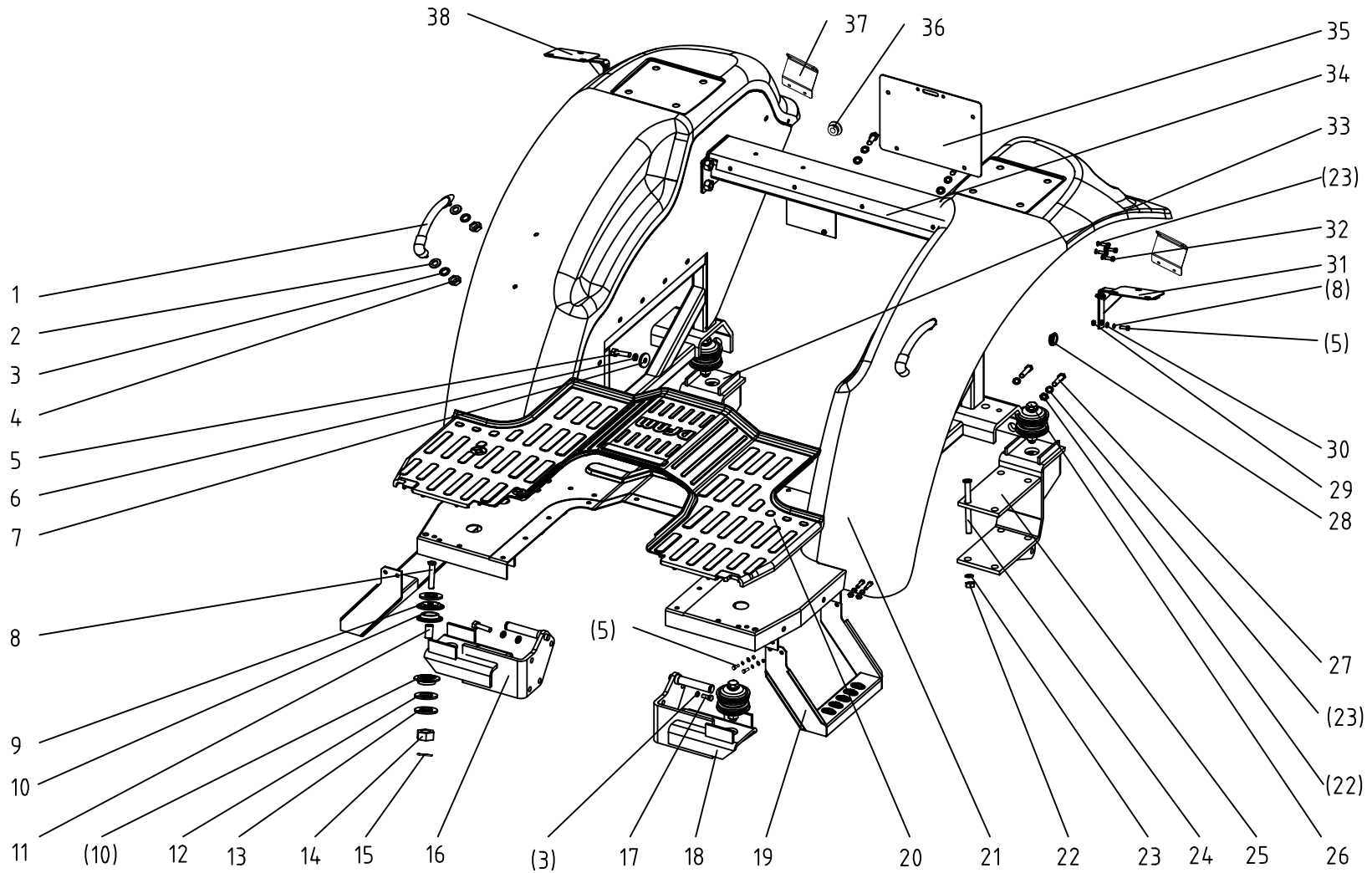
续表

Ser.No.	Part No.	名称及规格	Name & Specifications	Quantity	Remarks
26	DF-4268	油箱盖	Fuel tank cap	1	

26.1 地板挡泥板总成 (A)

Foot Mud Shields Rest

504G3-3. 51. 001



26.1 地板挡泥板总成(1) Foot Mud Shields Rest(1)

Ser.No.	Part No.	名称及规格	Name & Specifications	Quantity	Remarks
1	550.51D.101	扶手组合件	Handle hold	2	
2	GB/T97.1-2002-12	垫圈 12	Plain washer 12	4	
3	GB/T93-1987-12	垫圈 12	Spring lock washer 12	12	
4	GB/T6170-2000-M12	螺母 M12	Hex. nut M12	4	
5	GB/T5783-2000-M8×25	螺栓 M8×25	Hex. head bolt M8×25	48	
6	GB/T93-1987-8	垫圈 8	Spring lock washer 8	55	
7	GB/T5287-2002-8	垫圈 8	Plain washer 8	16	
8	GB/T31.1-1988-M16×90	螺栓 M16×90	Hex. head bolt M16×90	2	
9	504G3.51.123	护罩	Damping protecting cover	4	
10	504G3.51.124	减震圈	Rubber damping ring	8	
11	504G3.51.125	护套	Damping block sleeve	4	
12	504G3.51.127	橡胶垫	Rubber gasket	8	
13	GB/T96.1-2002-16	垫圈 16	Plain washer 16	4	
14	GB/T6181-1986-M16	螺母 M16	Hex. nut M16	4	
15	GB/T91-2000	销4×30	Split pin 4×30	4	
16	504G3-3.51.020	右前支承焊合件	Right-front backstop	1	
17	GB/T5783-2000-M12×30	螺栓 M12×30	Hex. head bolt M12×30	8	
18	504G3-3.51.024	左前支承焊合件	Left-front backstop	1	
19	504G3-3.51B.017A	踏梯焊合件	Ladder frame	2	
20	504G3.51.101	前地板橡胶垫	Rubber floor	1	
21	504G3-3.51.011	地板框架焊合件	Foot mud shields welding joint	1	
22	GB/T6170-2002-M16	螺母 M16	Hex. nut M16	12	
23	GB/T93-1987-16	垫圈 16	Spring lock washer 16	20	
24	GB/T5782-2000-M16×210	螺栓 M16×210	Hex. head bolt M16×210	8	
25	504G3-3.51.017	后支承焊合件 (左)	Rear bracket (left)	1	

26.1 地板挡泥板总成(1) Foot Mud Shields Rest(1)

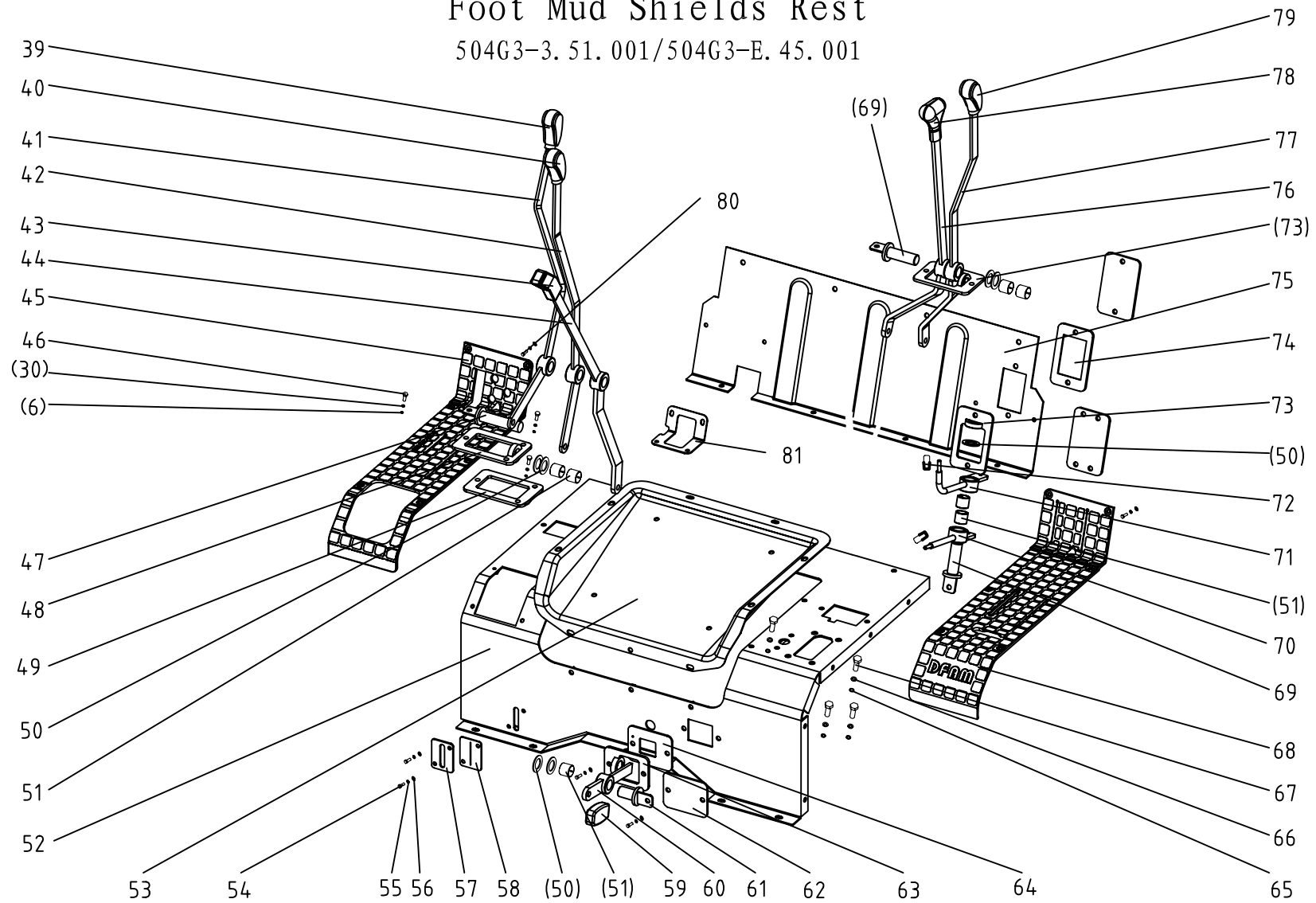
续表

Ser.No.	Part No.	名称及规格	Name & Specifications	Quantity	Remarks
26	GB/T31.1-1988-M16×100	螺栓 M16×100	Hex. head bolt M16×100	2	
27	GB/T5783-2000-M16×60	螺栓 M16×60	Hex. head bolt M16×60	4	
28	550-1.47.104	电瓶线护圈	Electrical wire guard ring	2	
29	GB/T6170-2002-M8	螺母 M8	Hex. nut M8	4	
30	GB/T97.1-2002-8	垫圈 8	Plain washer 8	39	
31	404-11.51.025	左尾灯安装架焊合件	Left taillight bracket rest	1	
32	GB/T5783-2000-M16×40	螺栓 M16×40	Hex. head bolt M16×40	8	
33	504G3-3.51.018	后支承焊合件（右）	Rear bracket（right）	1	
34	504G3-3.51.025	后横梁焊合件	Rear crossbeam	1	
35	504G3.51.107	牌照衬板	License plate scaleboard	1	
36	504G3.51.102	橡胶套	Rubber sheath	1	
37	504G3-3.51.102	后反射器安装板	Glisten implement board	2	
38	404-11.51.026	右尾灯安装架焊合件	Right taillight bracket rest	1	

26.2 地板挡泥板总成 (B)

Foot Mud Shields Rest

504G3-3. 51. 001/504G3-E. 45. 001



26.2 地板挡泥板总成(2) Foot Mud Shields Rest(2)

续表

Ser.No.	Part No.	名称及规格	Name & Specifications	Quantity	Remarks
39	504G3.55.113	位置控制手柄	Handle P	1	
40	504G3.55.114	阻力控制手柄	Handle F	1	
41	504G3-3.51.030-1	位调节操纵杆焊合件	Joy stick assembly P	1	
42	504G3-3.51.031-1	力调节操纵杆焊合件	Joy stick assembly F	1	
43	504G3-3.51.160	副变速手柄	Secondary range gear shift handle	1	
44	504G3-3.51.032	副变速操纵杆焊合件	Secondary range gear shift assembly	1	
45	504G3-3.51.108	操纵杆右盖板	Right joy stick cover board	1	
46	GB/T5783-2000-M8×30	螺栓 M8×30	Hex. head bolt M8×30	9	
47	504G3-3.51.034	固定轴焊合件 (三)	Fixed axle 3	1	
48	504G3-3.51.033	固定板焊合件 (三)	Fixed plate 3	1	
49	504G3-3.51.103	密封垫 (一)	Rubber seal 1	1	
50	504G3-3.51.161	尼龙隔圈	Nylon space band	9	
51	504G3.55.218	衬套 (20×20)	Sleeve (20×20)	6	
52	504G3-3.51.012	后地板焊合件	Rear foot rest	1	
53	504G3.51.015	座椅支板焊合件	Seat plank	1	
54	GB/T5783-2000-M6×20	螺栓 M6×20	Hex. head bolt M6×20	6	
55	GB/T93-1987-6	垫圈 6	Spring lock washer 6	18	
56	GB/T97.1-2002-6	垫圈 6	Plain washer 6	18	
57	504G3-3.51.105	密封盖板	Cover	1	
58	504G3-3.51.104	密封垫 (二)	Rubber seal 2	1	
59	504G3.63.111	操纵杆手柄	Joy stick lever	1	
60	504G3-3.51.052	操纵手柄焊合件	Control handle	1	
61	504G3-3.51.051	固定轴焊合件 (二)	Fixed axle 2	1	
62	504G3-3.51.118	中置PT0孔封板		1	

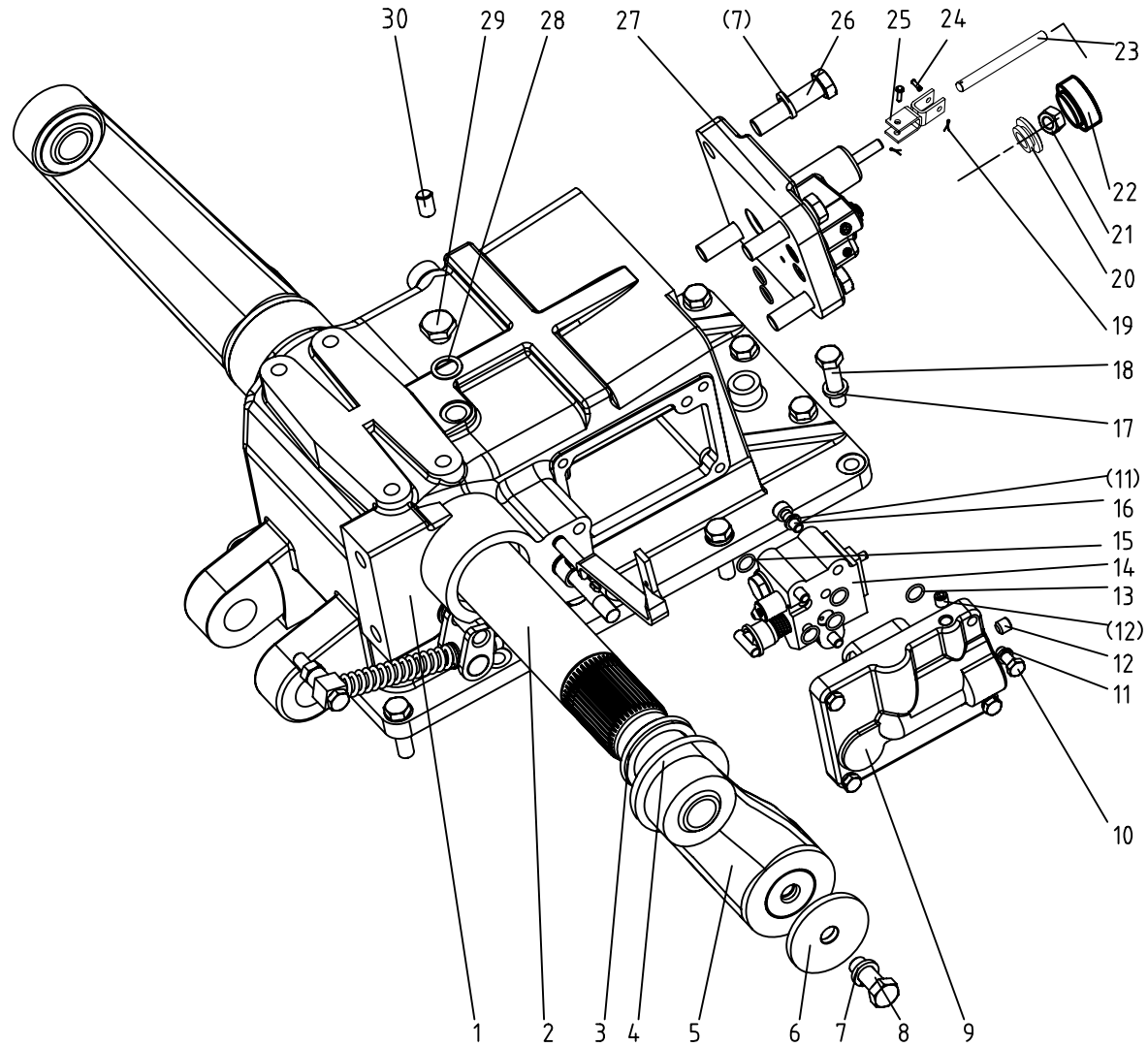
26.2 地板挡泥板总成(2) Foot Mud Shields Rest(2)

续表

Ser.No.	Part No.	名称及规格	Name & Specifications	Quantity	Remarks
63	504G3-3.51.050	固定板焊合件(二)	Fixed plate 2	1	
64	504G3-3.51.106	密封垫(三)	Rubber seal 3	1	
65	GB/T93-1987-10	垫圈 10	Spring lock washer 10	4	
66	GB/T97.1-2002-10	垫圈 10	Plain washer 10	4	
67	GB/T5783-2000-M10×30	螺栓 M10×30	Hex. head bolt M10×30	4	
68	504G3-3.51.109	操纵杆左盖板	Left joy stick cover board	1	
69	504G3-3.51.041	固定轴焊合件(一)	Fixed axle 1	2	
70	504G3-3.51.061-1	多路阀操纵手柄焊合件(二)	Manipulate lever weldmen(2)	1	
71	504G3-3.51.060-1	多路阀操纵手柄焊合件(一)	Manipulate lever weldmen(1)	1	
72	504G3-3.51.231	操纵手柄	Plastic handle for multiple unit valve	2	
73	504G3-3.51.040	固定板焊合件(一)	Fixed plate 1	2	
74	504G3-3.51.107	密封垫(四)	Rubber seal 4	2	
75	504G3-3.51.026-1	后围板焊合件	Squab panel	1	
76	504G3-3.51.071	爬行档操纵杆焊合件	Creeper gear control handle	1	
77	504G3-3.51.070-1	PT0操纵杆焊合件	PTO control handle	1	
78	504G3-3.51.272	爬行档换挡杆操纵手柄	Plastic handle for creeper gear control	1	
79	504G3-3.51.271	后置动力输出操纵手柄	Plastic handle for PTO control	1	
80	GB/T5783-2000-M6×16	螺栓 M6×16	Hex. head bolt M6×16	12	
81	504G3-3.51.112A	封板	Cover board	1	

27.1 提升器总成 (A) Hydraulic Power Lift (A)

504G3-3.55.001



27.1 提升器总成 (A) Hydraulic Power Lift (A)

Ser.No.	Part No.	名称及规格	Name & Specifications	Quantity	Remarks
1	504G3.55.011	提升器壳体压合件	Lift case assembly	1	
2	504G3.55.131	提升轴	Lift shaft	1	
3	504G3.55.130	油封 FB48×65×10	Oil envelop FB48×65×10	2	
4	504G3.55.129	外提升臂隔圈	Washer	2	
5	504G3.55.020	提升臂合件	Lift arm assembly	2	
6	504G3.55.128	外提升臂挡板	Baffle	2	
7	GB/T93-1987-14	垫圈 14	Spring washer 14	6	
8	GB/T5786-2000-M14×1.5×35	螺栓 M14×1.5×35	Hex. head bolt M14×1.5×35	2	level 10.9
9	504G3.55.123	分配器盖	Distributor cover	1	
10	GB/T5783-2000-M8×30	螺栓 M8×30	Hex. head bolt M8×30	4	
11	GB/T93-1987-8	垫圈 8	Spring washer 8	4	
12	JB/ZQ4447-2006-NPT 1/8	螺塞 NPT 1/8	Screw plug NPT 1/8	2	
13	GB/T3542.1-1992-12.5×1.80	O形圈 12.5×1.80	O-ring seal 12.5×1.80	5	
14	504G3.55.015	分配器总成	Distributor	1	
15	GB/T3542.1-1992-10×1.8	O形圈 10×1.8	O-ring seal 12.5×1.80	1	
16	GB/T70.1-2000-M8×20	螺钉 M8×20	Hex. socketed cap screw M8×20	3	
17	GB/T93-1987-12	垫圈 12	Spring washer 12	12	
18	GB/T5783-2000-M12×40	螺栓 M12×40	Hex. head bolt M12×40	13	level 10.9
19	GB/T91-2000-1.6×10	销 1.6×10	Split pin 1.6×10	2	
20	504G3.55.310	橡胶套	rubber sleeve	1	
21	GB/T6172.1-2000-M8	螺母 M8	Hex. nut M8	1	
22	504G3.55.058	调节阀手柄合件	Handwheel assembly	1	
23	504G3.55.311	手轮接杆	Handwheel rod	1	
24	GB/T882-2008-B4×18	销轴 B4×18	Pin shaft B4×18	2	
25	504G3.55.059	万向接头焊合件	universal joint assembly	1	

27.1 提升器总成 (A) Hydraulic Power Lift (A)

续表

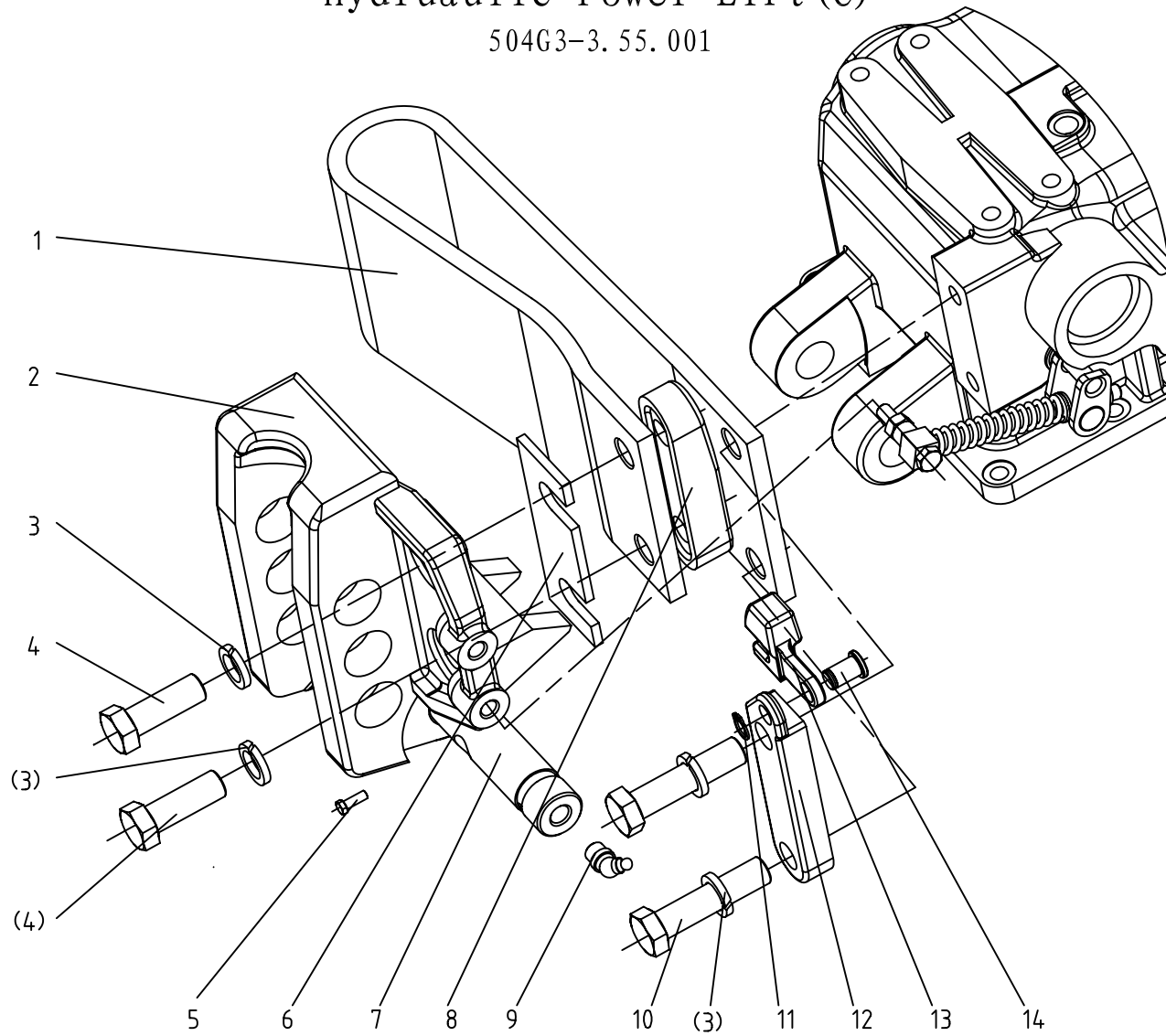
Ser.No.	Part No.	名称及规格	Name & Specifications	Quantity	Remarks
26	GB/T5785-2000-M14×1.5×50	螺栓 M14×1.5×50	Hex. head bolt M14×1.5×50	4	level 10.9
27	504G3.55.038	油缸盖组件	Cylinder cover assembly	1	
28	JB-FT-CU-16	组合铜垫圈 16	Combination washer 16	1	
29	QC/T376-1999-M16×1.5×16	螺塞 M16×1.5×15	Plug M16×1.5×15	1	
30	GB/T119.1-2000-14×24	销 14×24	Parallel pin 14×24	2	

27.2 提升器总成 (B) Hydraulic Power Lift (B)

Ser.No.	Part No.	名称及规格	Name & Specifications	Quantity	Remarks
1	504G3.55.148	操纵轴固定板	Rivet plate	1	
2	GB/T6172.1-2000-M10	螺母 M10	Hex. nut M10	6	
3	504G3.55.146	大摩擦片	Big rub patch	1	
4	GB/T93-1987-10	垫圈 10	Spring washer 10	1	
5	GB/T5783-2000-M10×20	螺栓 M10×20	Hex. head bolt M10×20	1	
6	504G3.55.032	力调节摇臂焊合件	Adjusting rocker F	1	
7	504G3.55.143	垫圈 12	Plain washer 12	1	
8	504G3.55.141	蝶形弹簧	Dishing spring	4	
9	504G3.55.135	操纵轴限位板	Restrict plate	2	
10	504G3.55.139	小摩擦片	Small rub patch	1	
11	GB/T5783-2000-M10×70	螺栓 M10×70	Hex. head bolt M10×70	2	
12	GB/T6173-2000-M12×1.5	螺母 M12×1.5	Hex. nut M12×1.5	2	
13	504G3.55.031	位调节摇臂焊合件	Adjusting rocker P	1	
14	GB/T97.1-2002-10	垫圈 10	Plain washer 10	8	
15	GB/T91-2000-3.2×28	销 3.2×28	Split pin 3.2×28	4	
16	504G3-3.55.010	拉杆焊合件	Pole	2	

27.3 提升器总成 (C) Hydraulic Power Lift (C)

504G3-3.55.001

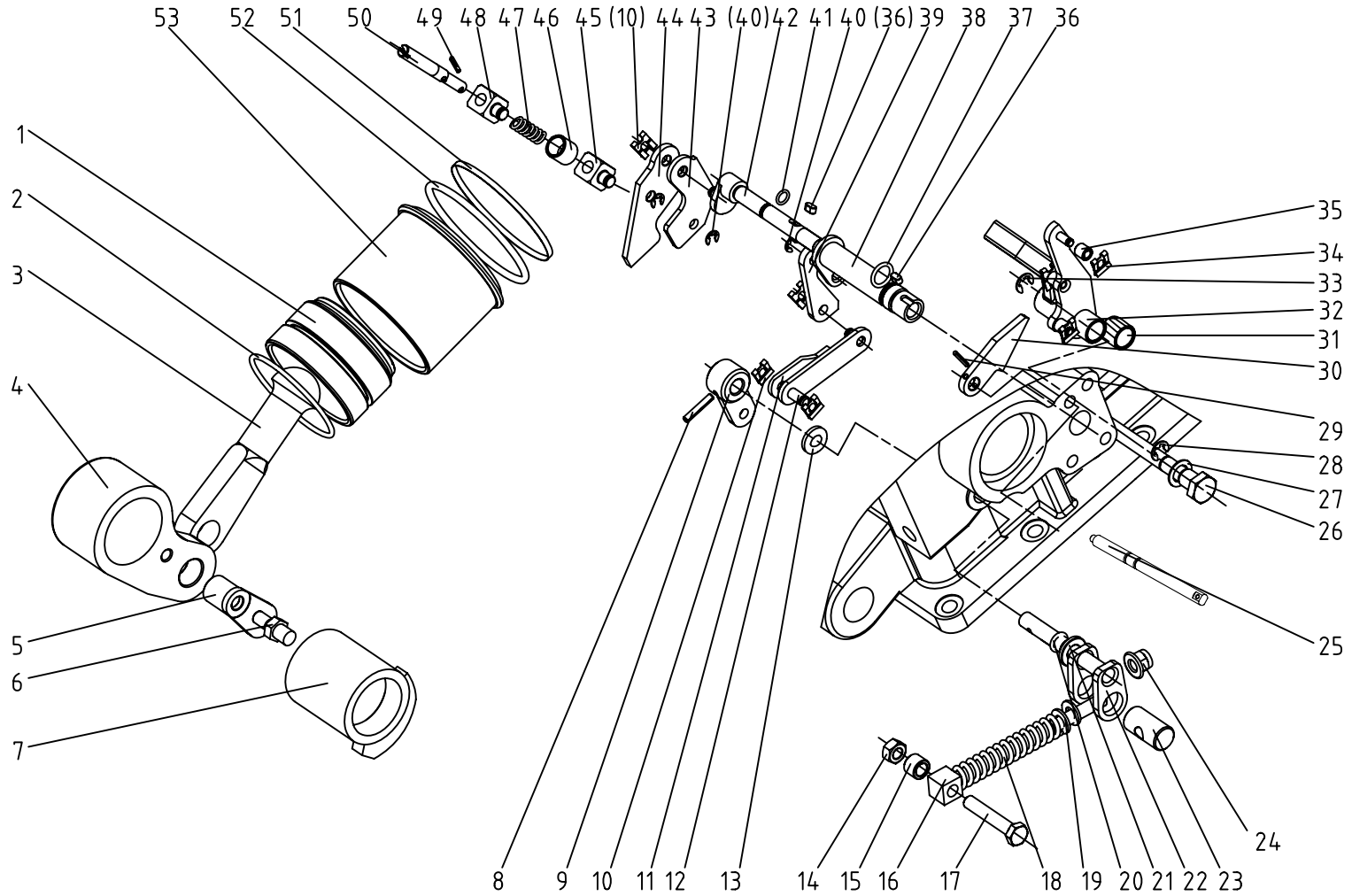


27.3 提升器总成 (C) Hydraulic Power Lift (C)

Ser.No.	Part No.	名称及规格	Name & Specifications	Quantity	Remarks
1	504G3.55.122	力调节板弹簧	Spring	1	
2	504G3.55.101	上拉杆支架	Bracket	1	
3	GB/T93-1987-14	垫圈 14	Spring washer 14	4	
4	GB/T5786-2000-M14×40	螺栓 M14×1.5×40	Hex. head bolt M14×1.5×40	2	level 10.9
5	504G3.55.102	紧定螺钉	Set screws	1	
6	504G3.55.121	调整垫片	Adjusting shims	6	
7	504G3.55.103	连接架轴	Pin shaft	1	
8	504G3.55.118	螺栓连接块	Linking block	1	
9	JB/T7940.2-1995-45°M10×1	油杯 45° M10×1	Angle grease nipple 45°M10×1	2	
10	GB/T5785-2000-M14×1.5×50	螺栓 M14×1.5×50	Hex. head bolt M14×1.5×50	2	level 10.9
11	GB/T894.1-1986-10	挡圈10	Circlip for shaft 10	1	
12	504G3.55.115	板弹簧固定压块	Block	1	
13	504G3.55.125	力调节锁定块	Locked block	1	
14	504G3.55.124	力调节锁定块销轴	Pin shaft	1	

27.4 提升器总成 (D) Hydraulic Power Lift (D)

504G3-3.55.001



27.4 提升器总成 (D) Hydraulic Power Lift (D)

Ser.No.	Part No.	名称及规格	Name & Specifications	Quantity	Remarks
1	504G3.55.039	活塞合件	Piston	1	
2	504G3.55.168	油封 90×75×11.4	Piston seal 90×75×11.4	1	
3	504G3.55.170	活塞顶杆	Piston push rod	1	
4	504G3.55.172-1	内提升臂	Inner lift arm	1	
5	504G3.55.132	连接固定销焊合件	Pin assembly	1	
6	504G3.55.133	位调节反馈连接螺栓	Hex. head bolt	1	
7	504G3.55.026	位置控制凸轮焊合件	Cam	1	
8	GB/T879.1-2000-5×28	销 5×28	Pin5×28	1	
9	504G3.55.035	阻力控制摇臂焊合件	Rocker	1	
10	504G3.55.104	夹片 8	Baffle 8	4	
11	504G3.55.012	阻力控制联接杆焊合件	Linking pole	1	
12	504G3.55.160	阻力控制连接销轴	Pin shaft	1	
13	504G3.55.143	垫圈 12	Plain washer 12	1	
14	GB/T6171-2000-M10×1.25	螺母 M10×1.25	Hex. nut M10×1.25	1	
15	504G3.55.116	反馈杆隔套	Spacer sleeve	1	
16	504G3.55.235	阻力反馈调节弹簧座	Sping seat	1	
17	GB/T5785-2000-M10×1.25×55	螺栓 M10×1.25×55	Hex. head bolt M10×1.25×55	1	
18	504G3.55.236	阻力反馈调节弹簧	Spring	1	
19	GB/T97.1-2002-10	垫圈 10	Plain washer 10	2	
20	GB/T3452.1-1996-11.2×2.65	O形圈 11.2×2.65	O-ring seal 11.2×2.65	1	
21	504G3.55.152	隔套	Spacer sleeve	1	
22	504G3.55.055	阻力控制传递轴焊合件	Transfer pole	1	
23	504G3.55.237	阻力反馈调节销轴	Pin shaft	1	
24	GB/T6183.1-2000-M10	螺母 M10	Hex. nut M10	1	
25	504G3.55.276-1	快速提升轴	Quick-lift shaft	1	

27.4 提升器总成 (D) Hydraulic Power Lift (D)

续表

Ser.No.	Part No.	名称及规格	Name & Specifications	Quantity	Remarks
26	504G3.55.150	控制阀操纵杆轴	Joy stick shaft	1	
27	JB-FT-CU-14	组合密封铜垫圈 14	Combination washer 14	1	
28	GB/T896-1986	开口挡圈9	Split circlip 9	1	
29	GB/T879-2000	销3×20	Pin3×20	1	
30	504G3.55.108-1	快速提升操纵杆	Hydraulic power lift control handle	1	
31	504G3.55.204	滚针轴承HK1210	Needle bearing HK1210	2	
32	504G3.55.057	控制阀操纵杆焊合件	Joy stick assembly	1	
33	GB/T896-1986-8	开口挡圈 8	Split circlip 8	1	
34	504G3.55.290	夹片6	Baffle 6	3	
35	504G3.55.291	滚轮	Idler wheel	2	
36	GB/T1096-1979-5×10	键 5×10	Key 5×10	2	
37	GB/T3452.1-1996-15.5×2.65	O形圈 15.5×2.65	O-ring seal 15.5×2.65	1	
38	504G3.55.028	阻力控制操纵轴焊合件	Joy stick assembly	1	
39	504G3.55.106	阻力控制推杆	Administer	1	
40	GB/T896-1986-6	开口挡圈 6	Split circlip 6	3	
41	GB/T3452.1-1996-8.75×1.80	O形圈 8.75×1.80	O-ring seal 8.75×1.80	1	
42	504G3.55.136	位控制操纵轴	Joy stick	1	
43	504G3.55.051	联动板焊合件	Linkage plate assembly	1	
44	504G3.55.212	联动板 (一)	Linkage plate	1	
45	504G3.55.210	连接块 (一)	Link	1	
46	504G3.55.211	弹簧座	Spring seat	1	
47	504G3.55.213	位置调节弹簧	Spring	1	
48	504G3.55.214	连接块 (二)	Link	1	
49	GB/T897.1-2000-2.5×12	销 2.5×12	Pin2.5×12	2	

27.4 提升器总成 (D) Hydraulic Power Lift (D)

续表

Ser.No.	Part No.	名称及规格	Name & Specifications	Quantity	Remarks
50	504G3.55.215	连接轴	Linking shaft	1	
51	504G3.55.162	O型密封圈支撑环	Support ring	1	
52	GB/T3452.1-1996-95×5.30	O形圈 95×5.30	O-ring seal 95×5.30	1	
53	504G3.55.163	油缸体	Cylinder	1	

28.1 悬挂装置总成 Suspension Mechanism

Ser.No.	Part No.	名称及规格	Name & Specifications	Quantity	Remarks
1	GB/T5782-2000-M12×65	螺母 M12×65	Hex. head bolt M12×65	2	
2	504G3.56.101	下拉杆挡圈	Block ring	2	
3	GB/T97.1-2002-12	垫圈 12	Plain washer 12	4	
4	GB/T6170-2000-M12	螺母 M12	Hex. nut M12	4	
5	GB/T6176-2000-M24×2	螺母 M24×2	Hex. nut M24×2	2	
6	504G3.56.026	提升螺管焊合件	Adjusting sleeve	2	
7	GB/T6176-2000-M24×2-L	螺母 M24×2-左	Hex. nut M24×2 (left)	2	
8	504G3.56.024	提升杆连接销总成	Coupling pin of lift rod	2	
9	504G3.56.025	提升杆吊耳焊合件	Up clevis of lift rod	2	
10	JB/T7940.1-1995-M10×1	油杯 M10×1	Grease nipple M10x1	3	
11	GB/T5783-2000-M16×50	螺栓 M16×50	Hex. head bolt M16×50	6	
12	GB/T93-1987-16	垫圈 16	Spring lock washer 16	6	
13	504G3.56.015	左下拉杆连接座焊合件	Left coupling seat	1	
14	450.56.025	上拉杆前调节杆总成	Upper link front adjusting rod	1	
15	450.56.029	机具连接销总成	Coupling pin of upper link	2	
16	450.56.110	限位弹簧	Hold down spring	1	
17	504G3.56.016	右下拉杆连接座焊合件	Right coupling seat	1	
18	504G3.56.011	右下拉杆总成	The right lower rod assembly	1	选装 Optioanl
	504G3.56.011A	右下拉杆总成	The right lower rod assembly	2	标配 Standard
	504G3.56.011B	右下拉杆总成	The right lower rod assembly	1	选装 Optioanl
19	504G3.56.124	提升杆下吊耳	Lower clevis of lift rod	2	
20	200.56.101-1	R销	R-pin	2	
21	GB/T97.1-2002-24	垫圈 24	Plain washer 24	2	
22	GB/T882-2000-B25×65	销轴 B25×65	Clevis pin with head B25×65	2	
23	GB/T882-2000-B16×60	销轴 B16×60	Clevis pin with head B16×60	2	

28.1 悬挂装置总成 Suspension Mechanism

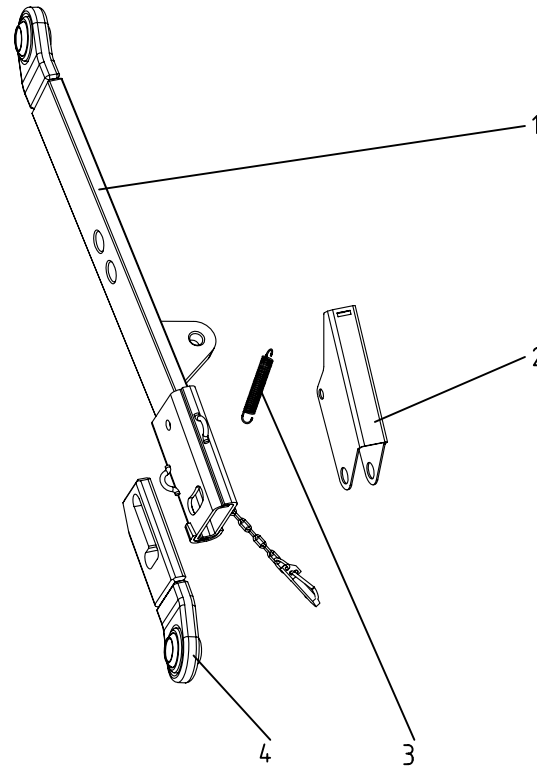
续表

Ser.No.	Part No.	名称及规格	Name & Specifications	Quantity	Remarks
24	504G3.56.112	R销	R-pin	4	
25	GB/T97.1-2002-20	垫圈 20	Plain washer 20	2	
26	GB/T97.1-2002-16	垫圈 16	Plain washer 16	2	
27	GB/T91-2000-3.2×28	销 3.2×28	Split pin 3.2×28	4	
28	GB/T882-1986-B20×50	销轴 B20×50	Clevis pin with head B20×50	2	
29	GB/T68-2000-M6×16	螺钉 M6×16	Bolt M6x16	2	
30	GB/T882-1986-B12×35	销轴 B12×35	Clevis pin with head B12×35	1	
31	1204.56.185	弹片	Flexible steel piece	1	
32	450.56.027	上拉杆后调节杆总成	Upper link rear adjusting rod	1	
33	GB/T6176-2000-M30×2L	螺母 M30×2左	Hex. nut M30x2 (left)	1	
34	804-6.56.021	上拉杆调节螺管焊合件	Turn buckle of upper link	1	
35	1204.56.186	球杆	Ball rod	1	
36	GB/T6176-2000-M30×2	螺母 M30×2	Hex. nut M30x2	1	
37	GB/T91-2000-3.2×20	销 3.2×20	Split pin 3.2×20	1	
38	GB/T882-1986-B12×50	销轴 B12×50	Clevis pin with head B12×50	2	
39	504G3.56.012	左下拉杆总成	The lower left rod assembly	1	选装 Optioanl
	504G3.56.012B	左下拉杆总成	The lower left rod assembly	1	选装 Optioanl
40	300.56.011	锁链组合件	Lock pin	4	
41	504G3.56.034	限位杆后又焊合件	Rear check clevis	2	
42	300.56.104	调节套钢管	Adjusting sleeve	2	
43	504G3.56.131	垫套	Bush	2	
44	GB/T97.1-2002-14	垫圈 14	Plain washer14	2	
45	504G3.56.033	限位杆前叉焊合件	Front check clevis	2	
46	GB/T882-2000-B14×65	销轴 B14×65	Clevis pin with head B14×65	2	

28.2 右下拉杆总成 (504G3.56.011 部件)

The Lower Right Rod Assembly (504G3.56.011 Assembly)

504G3.56.011



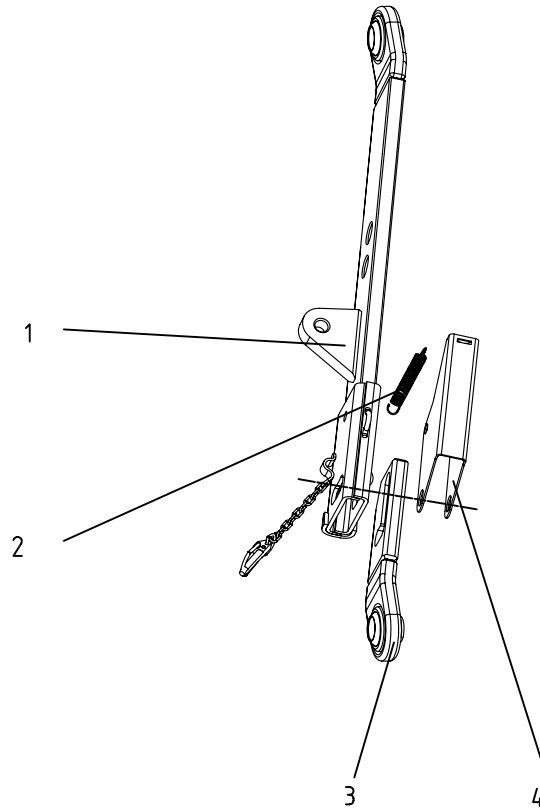
28.2 右下拉杆总成(504G3.56.011部件) Lower Right Rod Assembly (504G3.56.011 Assembly)

Ser.No.	Part No.	名称及规格	Name & Specifications	Quantity	Remarks
1	504G3.56.020	右下拉杆焊合件	Right lower link weldment	1	
2	504G3.56.111	护板	Protect board	1	
3	504G3.56.110	弹簧	Spring	1	
4	504G3.56.021	右调节板焊合件	Right regulate board	1	

28.3 左下拉杆总成 (504G3.56.012 部件)

The Lower Right Rod Assembly (504G3.56.012 Assembly)

504G3.56.012

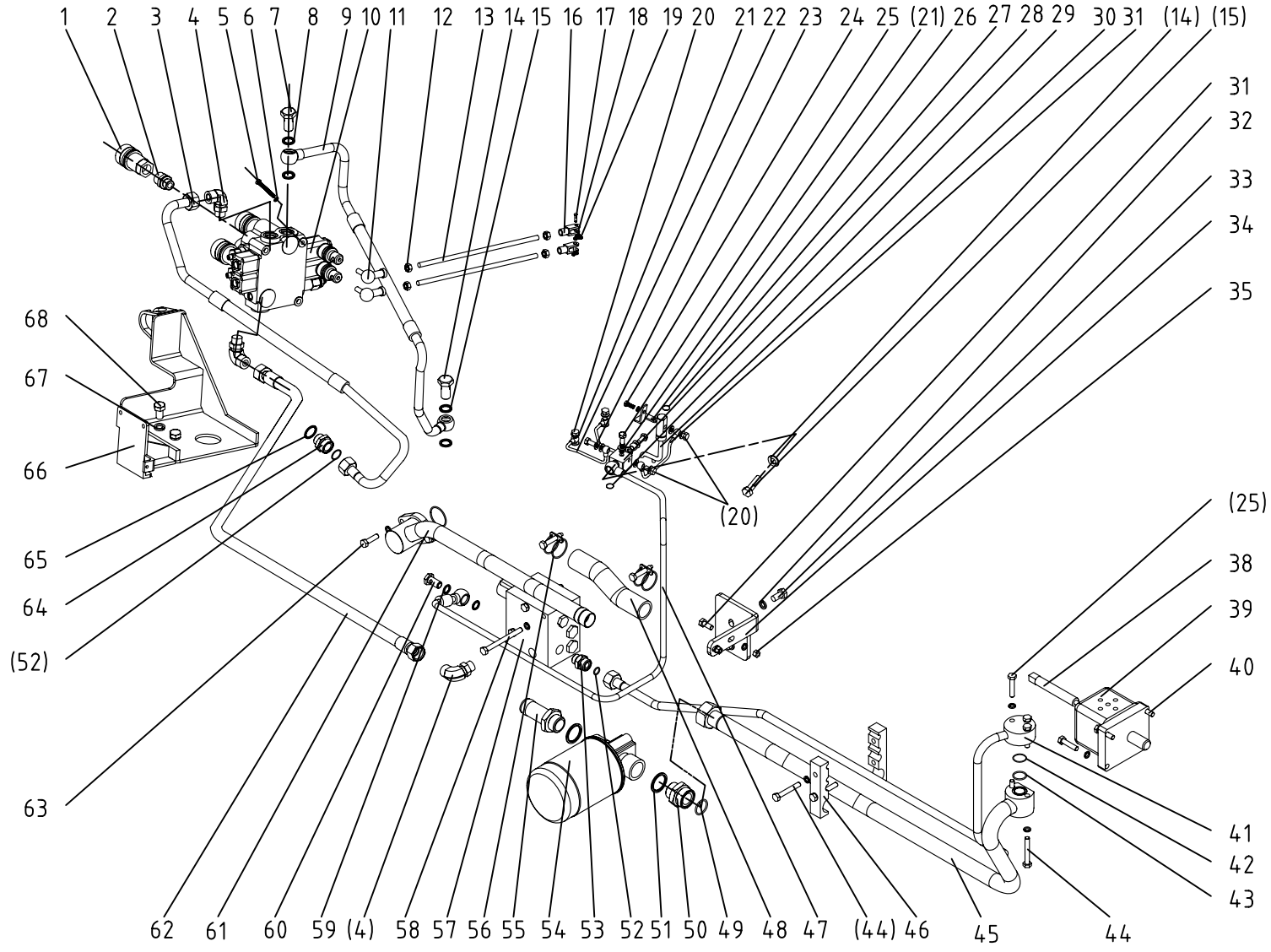


28.3 左下拉杆总成(504G3.56.012部件) Lower Left Rod Assembly (504G3.56.012 Assembly)

Ser.No.	Part No.	名称及规格	Name & Specifications	Quantity	Remarks
1	504G3.56.022	左下拉杆焊合件	Left lower link weldment	1	
2	504G3.56.110	弹簧	Spring	1	
3	504G3.56.023	左调节板焊合件	Left regulate board	1	
4	504G3.56.111	护板	Protect board	1	

29 液压提升系统总成 Hydraulic Lifting Pipeline Assembly

504G3-3.58A.001



29 液压提升系统总成 Hydraulic Lifting Pipeline Assembly

Ser. No.	Part No.	名称及规格	Name & Specifications	Quantity	Remarks
1		快换接头NPT1/2'	Quick change NPT1/2"	4	
2	504G3-3.58A.101	直通接头	Straight joint	4	
3	504G3-3.58A.016	分配器进油管总成	Inlet pipe hose	1	
4	554-3.58E.035	端直角可调向短接头18×1.5	Direction adjust Right-angle joint	3	
5	GB/T5782-2000-M6×55	螺栓 M6×55	Hex. head bolt M6×55	3	
6	GB/T93-1987-6	垫圈 6	Spring washer 6	4	
7	JB/T6013-2000-M16×1.5	铰接螺栓 M16×1.5	Hollow bolt M16×1.5	2	
8	JB-FT-CU-16	组合铜垫圈 16	Combination washer 16	4	
9	504G3-3.58A.015	多路阀回油管总成	Return pipe hose	1	
10	ZDa4a-F15L-T/00-1	ZDa4a-15整体阀	Sandwich Multirole Control Valve	1	
11	GB/T304.2-2002	关节轴承SQ8-RS	Knuckle bearing SQ8-RS	2	
12	GB/T6170-2000-M8	螺母 M8	Hex. nut M8	8	
13	504G3-3.58.102	中间连杆	Connecting rod	2	
14	JB/T6013-2000-M18×1.5	铰接螺栓 M18×1.5	Hollow bolt M18×1.5	1	
15	JB-FT-CU-18	组合铜垫圈 18	Combination washer 18	6	
16	504G3.55A.141	连接叉	Connecting fork	2	
17	GB/T882-1986-B5×22	销轴 B5×22	Clevis pin with head B5×22	2	
18	GB/T91-2000-2×16	销 2×16	Head inlet pipe weldment	2	
19	GB/T97.1-2002-5	垫圈 5	Plain washer 5	2	
20	JB/T6013-2000-M8×1	铰接螺栓 M8×1	Hollow bolt M8×1	6	
21	JB-FT-CU-8	组合铜垫圈 8	Combination washer 8	14	
22	504G3.58.033-1	接管一焊合件	The first pipe weldment	1	
23	504G3.58.034-1	接管二焊合件	The second pipe weldment	1	
24	GB/T5783-2000-M6×16	螺栓 M6×16	Hex. head bolt M6×16	1	
25	GB/T5783-2000-M8×45	螺栓 M8×45	Hex. head bolt M8×45	1	

29 液压提升系统总成 Hydraulic Lifting Pipeline Assembly

续表

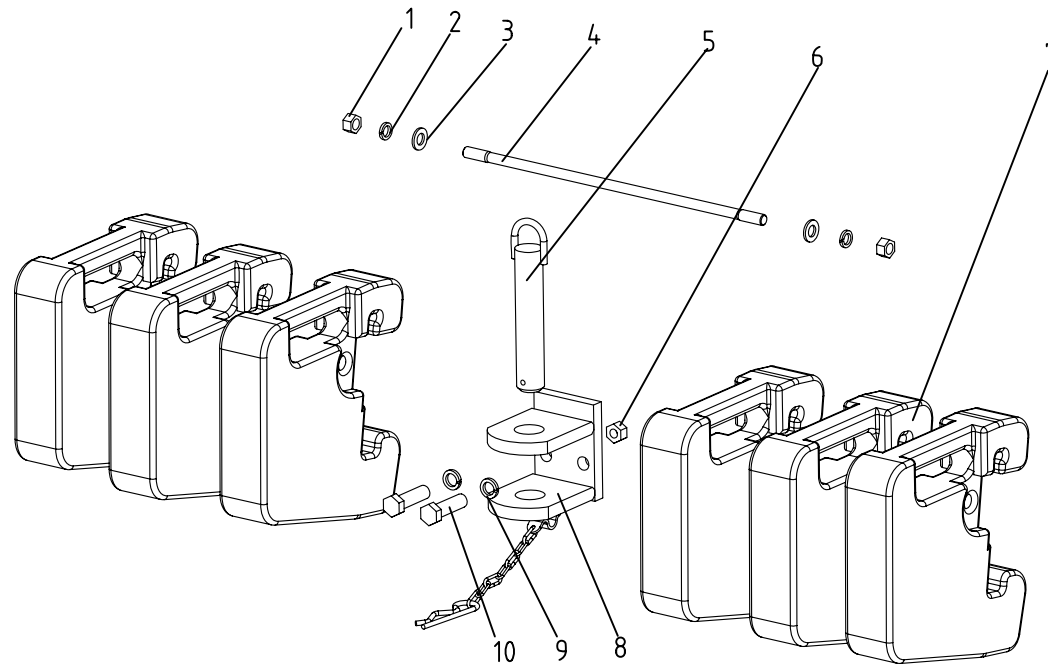
Ser. No.	Part No.	名称及规格	Name & Specifications	Quantity	Remarks
26	504G3.58.161	润滑油管支架	Support board	1	
27	GB/T3452.1-1992-15.5×2.65	O形圈 15.5×2.65	O-ring seal 15.5×2.65	1	
28	504G3.58.170-1	分流块	diffluent block	1	
29	GB/T3452.1-1992-14×1.8	O形圈 14×1.8	O-ring seal 14×1.8	1	
29	504G3.58.032-1	润滑油管焊合件	Lubricating pipe weldment	1	
30	504G3.58.035-1	接管三焊合件	The third pipe weldment	1	
31	GB/T5783-2000-M8×20	螺栓 M8×20	Hex. head bolt M8×20	4	
32	GB/T93-1987-10	垫圈 10	Spring washer 10	2	
33	GB/T5783-2000-M10×20	螺栓 M10×20	Hex. head bolt M10×20	2	
34	504G3.58.105	滤清器支架	Fix plank	1	
35	GB/T93-1987-8	垫圈 8	Spring locker washer 8	17	
38	550.58.101	紧固螺栓	Fixup bolt	1	
39	CBN-F314	齿轮泵	Gear pump	1	
40	GB/T5783-2000-M8×35	螺栓 M8×35	Hex. head bolt M8×35	3	
41	504G3.58.023	油泵出油管焊合件	Outlet pipe assy of gear pump	1	
	504G3.58.023A	油泵出油管焊合件	Outlet pipe assy of gear pump	1	for loader
42	GB/T3452.1-1992-22.4×1.8	O形圈 22.4×1.8	O-ring seal 22.4×1.8	1	
43	GB/T3452.1-1992-21.2×2.65	O形圈 21.2×2.65	O-ring seal 21.2×2.65	1	
44	GB/T5783-2000-M8×55	螺栓 M8×55	Hex. head bolt M8×55	2	
45	504G3.58.020	油泵吸油管前段焊合件	Head inlet pipe assy of gear pump	1	
46	504G3.58.106	四通管夹	Pipe clamp	2	
47	504G3.58.011-1	分流阀回油软管总成	Return hose	1	
48	504G3.58.104-1	输油胶管	Hose	1	
49	GB/T3452.1-1992-25×2.65	O形圈 25×2.65	O-ring seal 25×2.65	1	

29 液压提升系统总成 Hydraulic Lifting Pipeline Assembly

续表

Ser. No.	Part No.	名称及规格	Name & Specifications	Quantity	Remarks
50	804-6.58.109	管接头体 (二)	Filter tie-in (2)	1	
51	JB-FT-CU-30	组合铜垫圈 30	Combination washer 30	2	
52	GB/T3452.1-1992-12.5×1.8	O形圈 12.5×1.8	O-ring seal 12.5×1.8	2	
53	504G3.58.108	接头螺母 (一)	union nut (1)	1	
54	804-6.58.025	滤清器总成	Filter	1	
55	804-6.58.022	滤清器短接管焊合件	Short linking pipe weldment	1	
56	JB/T8870-1999- (25-40)	喉箍 (25-40)	Hoop (25-40)	2	
57	SL-DFLH-00	分流电控阀	Electrical control diverging valve	1	
58	GB/T5782-2000-M8×90	螺栓 M8×90	Hex. head bolt M8×90	3	
59	JB-FT-CU-10	组合铜垫圈 10	Combination washer 10	2	
60	320-3.80A.105	铰接螺栓M10×1	Hollow bolt M10×1	1	
61	504G3.58.022	油泵吸油管后段焊合件	Tail inlet pipe assy of gear pump	1	
62	504G3-3.58A.014	多路阀进油软管	Inlet pipe hose	1	
63	GB/T5783-2000-M8×30	螺栓 M8×30	Hex. head bolt M8×30	2	
64	504G3.58.109	接头螺母 (二)	union nut (2)	1	
65	JB-FT-CU-22	组合铜垫圈 22	Combination washer 22	1	
66	504G3-3.58.013A	支架焊合件	Support board	1	
67	GB/T93-1987-12	垫圈 12	Spring washer 12	2	
68	GB/T5783-2000-M12×20	螺栓 M12×20	Hex. head bolt M12×20	2	

30 前配重总成
Front Balance Weight
400-6.73.001



30 前配重总成 Front Balance Weight

Ser.No.	Part No.	名称及规格	Name & Specifications	Quantity	Remarks
1	GB/T6170-2000-M12	螺母 M12	Hex.nut M12	2	
2	GB/T93-1987-12	垫圈 12	Spring lock washer 12	2	
3	GB/T97.1-2002-12	垫圈 12	Plain washer 12	2	
4	GB/T953-1988-M12×490	等长双头螺柱 M12×490	Clamping-type double stud M12×490	1	
5	300-6.73.012	插销焊合件	Bolt weldment	1	
6	GB/T6170-2000-M14	螺母 M14	Hex.nut M14	2	
7	250.73.101	配重	Balance weight block	6	
8	300-6.73.011-1	牵引板焊合件	Front drawbar weldment	1	
9	GB/T93-1987-14	垫圈 14	Spring lock washer 14	2	
10	GB/T5783-2000-M14×45	螺栓 M14×45	Hex.bolt M14×45	2	

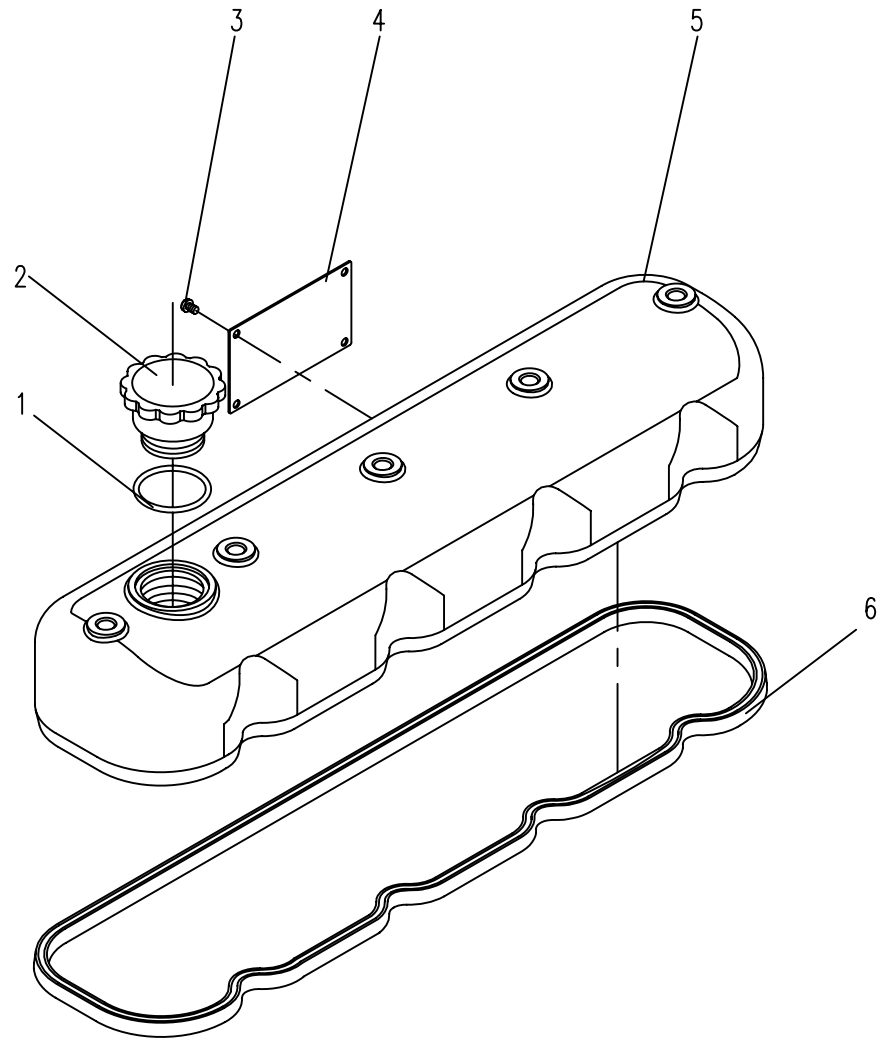


图1 气缸盖罩总成
Fig.1 Cylinder Head Cover Assembly

31 气缸盖罩总成 Cylinder Head Cover Assembly (Fig. 1)

Ser.No.	Part No.	名称及规格	Name & Specifications	Quantity	Remarks
1	GB/T3452.1-2005-33.5×2.65	O形圈33.5×2.65	Seal ring 33.5×2.65	1	
2	N85-01002	加油口盖	Oil filling cover	1	
3	GB/T65-2000-M4×6	螺钉M4×6	Bolt M4×6	4	
4	ZN390T-01009P	铭牌	Name plate	1	
5	4L68-010003A-3	气缸盖罩	Cylinder head cover	1	
6	4L68-010001B	气缸盖罩密封圈	Cylinder head cover seal ring	1	

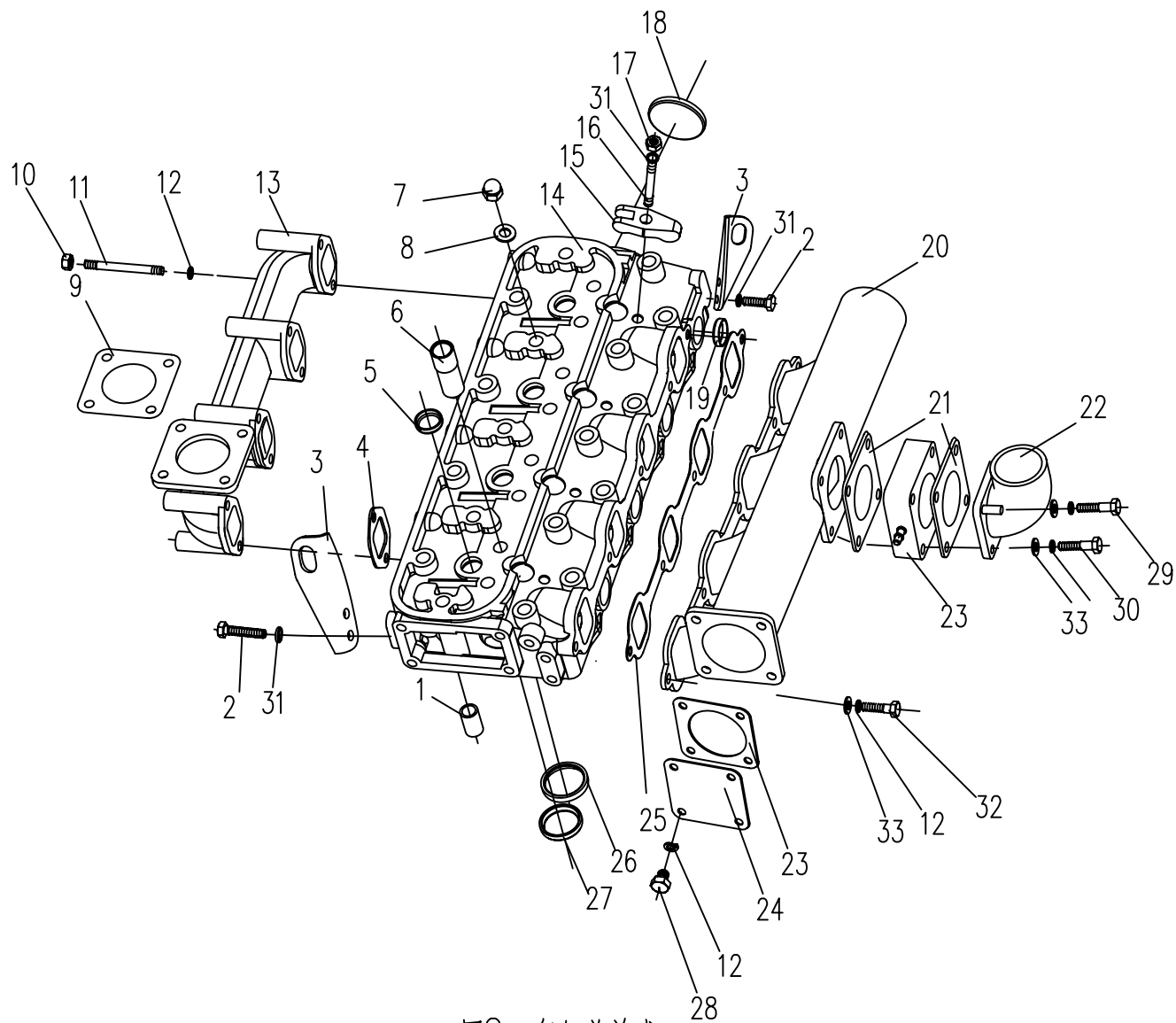


图2 气缸盖总成

Fig.2 Cylind Head Assembly

32 气缸盖总成 Cylinder Head Assembly (Fig. 2)

Ser.No.	Part No.	名称及规格	Name & Specifications	Quantity	Remarks
1	N85-02101A	套管	Sleeve	4	
2	GB/T5786-2000-M10×1.25×20	螺栓M10×1.25×20	Bolt M10×1.25×20	4	
3	4L88-020004	吊耳	Lifting eye	2	
4	4L68-020006	排气管垫片	Exhaust manifold gasket	4	
5	N85-02109	碗形塞	Expansion plug Φ26	4	
6	N85-02105	气门导管	Valve guide	8	
7	GB/T923-88-M8	盖形螺母M8	Nut M8	5	
8	QJ/MD05.01-90-8	组合垫圈8	Washer 8	5	
9	N485Q-10002H	垫片	Gasket	1	
10	GB/T6170-2000-M8	螺母M8	Nut M8	8	
11	GB/T899-1988-M8×75	双头螺柱M8×75	Stud M8×75	8	
12	GB/T859-87-8	垫圈8	Washer 8	21	
13	N485T-10001E	排气管	Exhaust manifold	1	
14	4B26-021008	气缸盖	Cylinder head	1	
15	4L68-020009	喷油器压板	Injector clamping plate	4	
16	GB/T899-1988-M10×55	螺柱M10×55	Stud M10×55	4	
17	GB/T6170-2000-M10	螺母M10	Nut M10	4	
18	N85-02104	碗形塞 Φ55	Expansion plug Φ55	1	
19	N85-02102	碗形塞 Φ20	Expansion plug Φ20	10	
20	N485T-09001K	进气管	Intake manifold	1	
21	N485-09006	垫片	Gasket	3	
22	N485Q-09003R	进气接管	Intake connect pipe	1	
23	N485Q-09100	空气加热器	Air heater	1	
24	N485-09005	盖板	Cover	2	
25	ZN490QA-02005	进气管垫片	Intake manifold gasket	1	

32 气缸盖总成 Cylinder Head Assembly (Fig. 2)

续表

Ser.No.	Part No.	名称及规格	Name & Specifications	Quantity	Remarks
26	4L68-021007	进气门座	Intake valve seat	4	
27	4L68-021006	排气门座	Exhaust valve seat	4	
28	GB/T5783-2000-M8×16	螺栓M8×16	Bolt M8×16	4	
29	GB/T5783-2000-M8×85	螺栓M8×85	Bolt M8×85	2	
30	GB/T5783-2000-M8×40	螺栓M8×40	Bolt M8×40	2	
31	GB/T859-87-10	垫圈10	Washer 10	8	
32	GB/T5783-2000-M8×28	螺栓M8×28	Bolt M8×28	5	
33	GB/T97.1-2002-10	垫圈8	Washer 8	10	

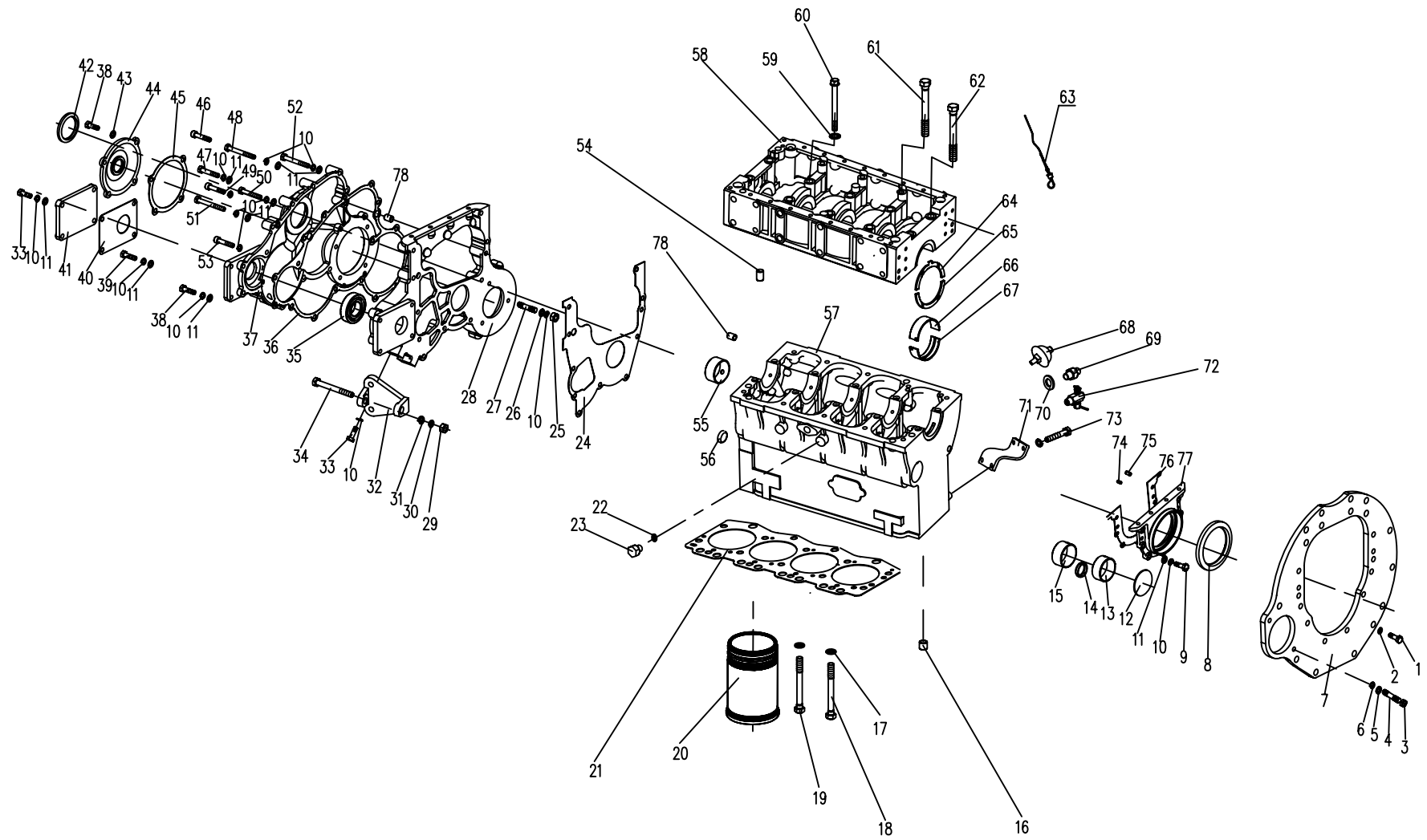


图3 机体、齿轮室总成

Fig.3 Cylinder Block and Gear Case Assembly

33 机体、齿轮室总成 Cylinder Block and Gear Case Assembly(Fig. 3)

Ser.No.	Part No.	名称及规格	Name & Specifications	Quantity	Remarks
1	GB/T5782-2000-M10×35	螺栓M10×35	Bolt M10×35	14	
2	GB/T859-1987-10	垫圈10	Washer 10	14	
3	GB/T6170-2000-M12	螺母M12	Nut M12	2	
4	GB/T899-1988-M12×35	螺柱 M12×35	Bolt M12×35	2	
5	GB/T97.1-2002-12	垫圈12	Washer 12	2	
6	GB/T859-1987-12	垫圈12	Washer 12	2	
7	4G33T-030012	飞轮壳	Flywheel housing	1	
8	GB/T9877.1-1988-DL85×110×12F	油封DL85×110×12F	Oil seal DL85×110×12	1	
9	GB/T5783-2000-M8×25	螺栓M8×25	Bolt M8×25	10	
10	GB/T859-1987-8	垫圈8	Washer 8	47	
11	GB/T848-1985-8	垫圈8	Washer 8	44	
12	N85-03108	塞片	Expansion plug	1	
13	N85-03109A	凸轮轴后衬套	Camshaft rear bushing	1	
14	N85-03102	碗形塞	Expansion plug φ 30	6	
15	N85-03112A	凸轮轴中间衬套	Camshaft middle bushing	3	
16	N85-03017	气缸盖定位套	Cylinder head locating sleeve	2	
17	N85-03105	主轴承盖螺栓垫圈	Main shaft cover bolt washer	10	
18	4B28TC-030015-1	气缸盖长螺栓	Cylinder head long bolt	12	
19	N85-03015-2	气缸盖长螺栓	Long cylinder head bolt	6	
20	4G33-030003	气缸套	Cylinder liner	4	
21	4L68-030013A	气缸盖垫片	Cylinder head gasket	1	
22	QJ/MD05.01-90-12	A型组合垫圈 12	Bonded washer 12	1	
23	QC/T376-1999-M12×1.5	螺塞 M12×1.5	Plug screw M12×1.5	1	
24	N85T-12001	齿轮室垫片	Gear case gasket	1	
25	GB/T6170-2000-M8	螺母M8	Nut M8	3	

33 机体、齿轮室总成 Cylinder Block and Gear Case Assembly(Fig. 3)

续表

Ser.No.	Part No.	名称及规格	Name & Specifications	Quantity	Remarks
26	4L68-120012	发电机紧固垫圈	Generator tighten washer	3	
27	GB/T899-88-M8×35	螺柱 M8×35	Bolt M8×35	3	
28	N485T-12002	齿轮室	Gear case	1	
29	GB/T6170-2000-M10	螺母M10	Nut M10	1	
30	GB/T848-2000-10	垫圈10	Washer 10	1	
31	GB/T93-1987-10	垫圈10	Washer 10	1	
32	N390T-12007	发电机支架	Generator bracket	1	
33	GB/T5782-2000-M8×25	螺栓M8×25	Bolt M8×25	11	
34	GB/T5782-2000-M10×90	螺栓M10×90	Bolt M10×90	1	
35	GB/T276-96-6007	轴承 6007	Bearing 6007	2	
36	N85T-12003	齿轮室盖垫片	Gear case cover gasket	1	
37	N485T-12004	齿轮室盖	Gear case cover	1	
38	GB/T5782-2000-M8×20	螺栓M8×20	Bolt M8×20	4	
39	GB/T5782-2000-M8×30	螺栓M8×30	Bolt M8×30	3	
40	N85T-12010	液压泵盖垫片	Hydraulic pump cover gasket	2	
41	N85T-12009	液压泵盖	Hydraulic pump cover	2	
42	GB/T9877.1-1988-DR52×72×12	油封 DR52×72×12	Oil seal DR52×72×12	1	
43	QJ/MD 05.01-90-8	A型组合密封垫圈 8	Bonded washer 8	4	
44	N485T-12005	齿轮室前盖	Gear case front cover	1	
45	N85T-12003	齿轮室前盖垫片	Gear case front cover gasket	1	
46	GB/T70.1-2000-M8×20	内六角圆柱头螺钉M8×20	Inner hexagon cylindrical bolt M8×20	3	
47	GB/T5782-2000-M8×45	螺栓M8×45	Bolt M8×45	3	
48	GB/T5782-2000-M8×60	螺栓M8×60	Bolt M8×60	1	
49	GB/T70.1-2000-M8×55	内六角圆柱头螺钉M8×55	Inner hexagon cylindrical bolt M8×55	1	

33 机体、齿轮室总成 Cylinder Block and Gear Case Assembly (Fig. 3)

续表

Ser.No.	Part No.	名称及规格	Name & Specifications	Quantity	Remarks
50	GB/T5782-2000-M8×50	螺栓M8×50	Bolt M8×50	3	
51	GB/T5782-2000-M8×75	螺栓M8×75	Bolt M8×75	1	
52	GB/T5782-2000-M8×80	螺栓M8×80	Bolt M8×80	1	
53	GB/T5782-2000-M8×40	螺栓M8×40	Bolt M8×40	1	
54	N85T-03110	定位销	Dowel pin	2	
55	N85-03103A	凸轮前轴衬套	Camshaft bushing	1	
56	N85-03111	堵塞 φ14	Blocking plug φ14	2	
57	4G33T-031001	机体	Cylinder block	1	
58	4G33T-031015	整体主轴承盖	Main shaft cover	1	
59	N85-03105	主轴承盖螺栓垫圈	Main shaft cover bolt washer	10	
60	ZN490T-031016	主轴承盖螺栓	Main shaft cover bolt	6	
61	N85T-03108	床板螺栓	Bedplate bolt	10	
62	N85T-03107	主轴承盖螺栓	Main shaft cover bolt	4	
63	N390T-03301A	机油尺	Oil dipstick	1	
64	4L68-030007	曲轴止推片(下)	Crankshaft thrust plate (lower)	2	
65	4L68-030009	曲轴止推片(上)	Crankshaft thrust plate (upper)	2	
66	4L68-030008	主轴瓦(上)	Main bearing shell (upper)	5	
67	4L68-030006	主轴瓦(下)	Main bearing shell (lower)	5	
68	N85Q-03004	机油压力传感器	Oil pressure sensor	1	
69	4G33-030023	铰接螺栓	Link bolt	1	
70	4G33-030024	垫圈	Washer	1	
71	N309T-03024D	柴油滤清器支架	Fuel filter bracket	1	
72	ZN390TE-03200	放水开关部件	Water draining cock	1	
73	GB/5783-2000-M8×20	螺栓 M8×20	Bolt M8×20	4	

33 机体、齿轮室总成 Cylinder Block and Gear Case Assembly(Fig. 3)

续表

Ser.No.	Part No.	名称及规格	Name & Specifications	Quantity	Remarks
74	GB/T119.1-2000-8h8×16	销 8h8×16	Pin 8h8×16	2	
75	GB/T119.1-2000-10h8×25	销 10h8×25	Pin 10h8×25	2	
76	N85T-03005	后油封盖垫片	Rear oil seal cover gasket	1	
77	N85T-03010	后油封盖	Rear oil seal cover	1	
78	N85-03001	齿轮室定位套	Gear case locating sleeve	3	

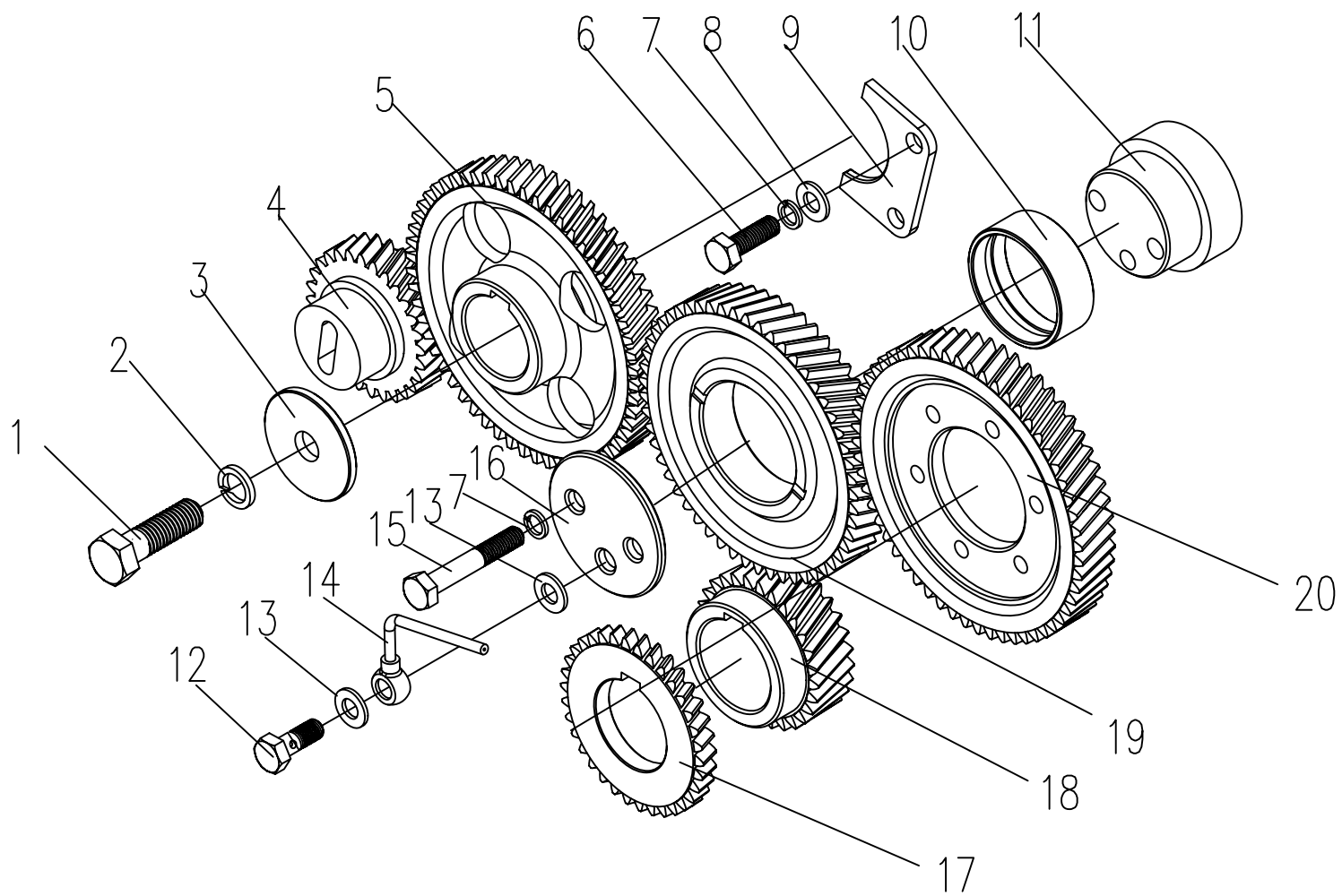


图4 正时齿轮系总成

Fig.4 Timing gear train

34 正时齿轮系总成 Timing Gear Train(Fig. 4)

Ser.No.	Part No.	名称及规格	Name & Specifications	Quantity	Remarks
1	GB/T5782-2000-M12×30	螺栓M12×30	Bolt M12×30	1	
2	GB/T859-1987-12	垫圈12	Washer 12	1	
3	CC475Q-070002	凸轮轴垫圈	Camshaft Washer	1	
4	N85T-04011A-1	液压泵齿轮	Hydraulic pump gear	1	
5	N85T-04007	凸轮轴正时齿轮	Camshaft timing gear	1	
6	GB/T5782-2000-M8×16	螺栓M8×16	Bolt M8×16	2	
7	GB/T859-1987-8	垫圈8	Washer 8	5	
8	GB/T97.1-2002-8	垫圈8	Washer 8	2	
9	N85-04008	凸轮轴压板	Camshaft retainer	1	
10	4L88-040002	正时惰齿轮衬套	Timing idle gear bushing	1	
11	4G33-040004	正时惰齿轮轴	Timing idle gear shaft	1	
12	N85T-04012	空心螺栓	Hollow bolt	1	
13	JB/T6013-2000-8	垫圈8	Washer8	2	
14	N85T-04100	喷油管部件	Oil pipe	1	
15	GB/T5782-2000-M8×55	螺栓M8×55	Bolt M8×55	3	
16	4G33T-040003	正时惰齿轮压板	Timing idle gear retainer	1	
17	N85-04010A	机油泵主动齿轮	Lubricating oil pump driving gear	1	
18	N85-04006	曲轴正时齿轮	Crankshaft timing gear	1	
19	4L88-040005	正时惰齿轮	Timing idle gear	1	
20	N485T-04001	燃油泵正时齿轮	Injection pump timing gear	1	

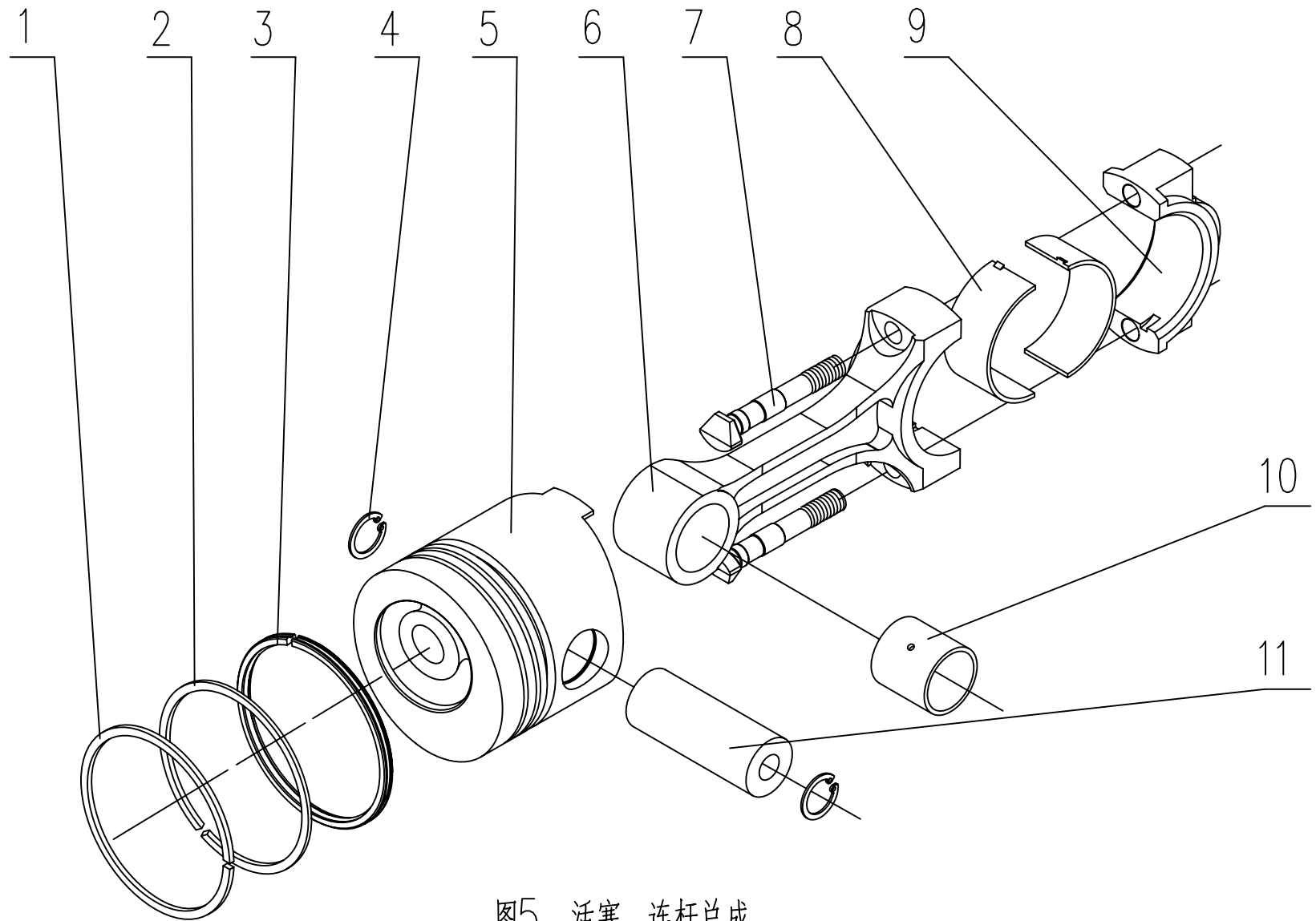


图5 活塞、连杆总成

Fig.5 Piston and Connecting Rod Assembly

35 活塞、连杆总成 Piston and Connecting Rod Assembly(Fig. 5)

Ser.No.	Part No.	名称及规格	Name & Specifications	Quantity	Remarks
1	4L88-050002	第一道活塞环	1st piston ring	4	
2	4L88-050003	第二道活塞环	2nd piston ring	4	
3	4L88-051000	油环部件	Oil ring	4	
4	GB/T893.2-1986-28	挡圈28	Circlip 28	8	
5	4G33-050001	活塞	Piston	4	
6	4G33-052001	连杆	Connecting rod	4	
7	4F20-052004	连杆螺栓	Connecting rod bolt	8	
8	4G33-050005A	连杆轴瓦	Connecting rod bearing shell	8	
9	4G33-052004	连杆盖	Connecting rod cap	4	
10	N85-05202	连杆衬套	Connecting rod bushing	4	
11	N85-05004	活塞销	Piston pin	4	

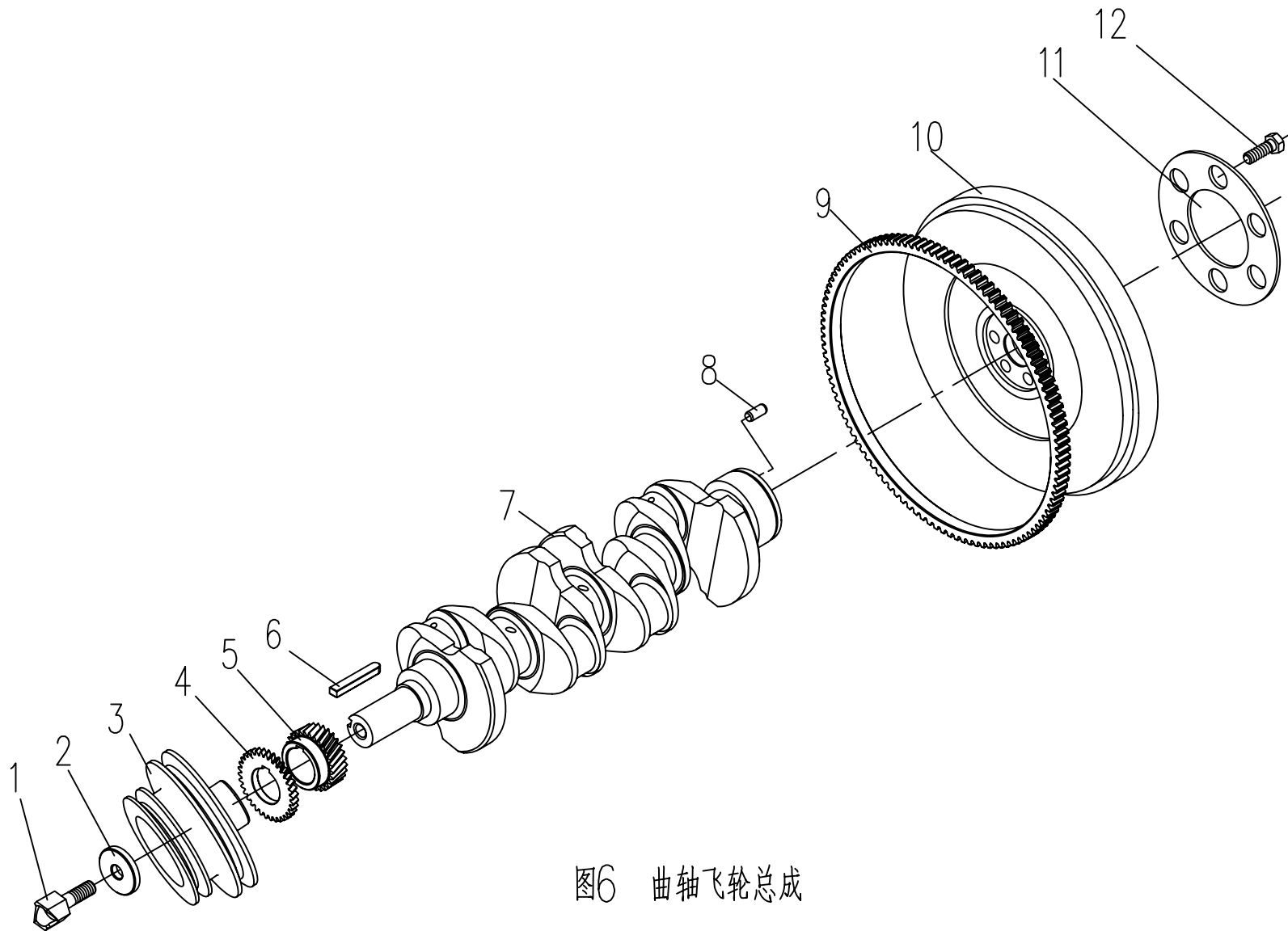


图6 曲轴飞轮总成

Fig.6 Crankshaft and Flywheel Assembly

36 曲轴、飞轮总成 Crankshaft and Flywheel Assembly (Fig. 6)

Ser.No.	Part No.	名称及规格	Name & Specifications	Quantity	Remarks
1	N485Q-06007	曲轴皮带轮螺栓	Crankshaft pulley bolt	1	
2	N85-06002	起动爪垫圈	Starting jaw washer	1	
3	ZN485T-06001(A)	曲轴皮带轮	Crankshaft pulley	1	
4	N485-04010(A)	机油泵主动齿轮	Lubricating oil pump driving gear	1	
5	N85-04006	曲轴正时齿轮	Crankshaft timing gear	1	
6	GB/T1096-2003-C10×63	键C10×63	Key C10×63	1	
7	4G33-060004	曲轴	Crankshaft	1	
8	GB/T119.1-2000-B10×25h8	销B10×25h8	Cylindrical pin B10×25h8	1	
9	N485-06102	飞轮齿圈	Flywheel ring gear	1	
10	N485Q-06101N	飞轮	Flywheel	1	
11	GB/T276-1994-6203-2LS	滚动轴承6203-2LS	Ball bearing 6203-2LS	1	
12	N85-06005(A)	飞轮螺栓垫片	Flywheel blot washer	1	
13	N85-06006	飞轮螺栓	Flywheel blot	6	

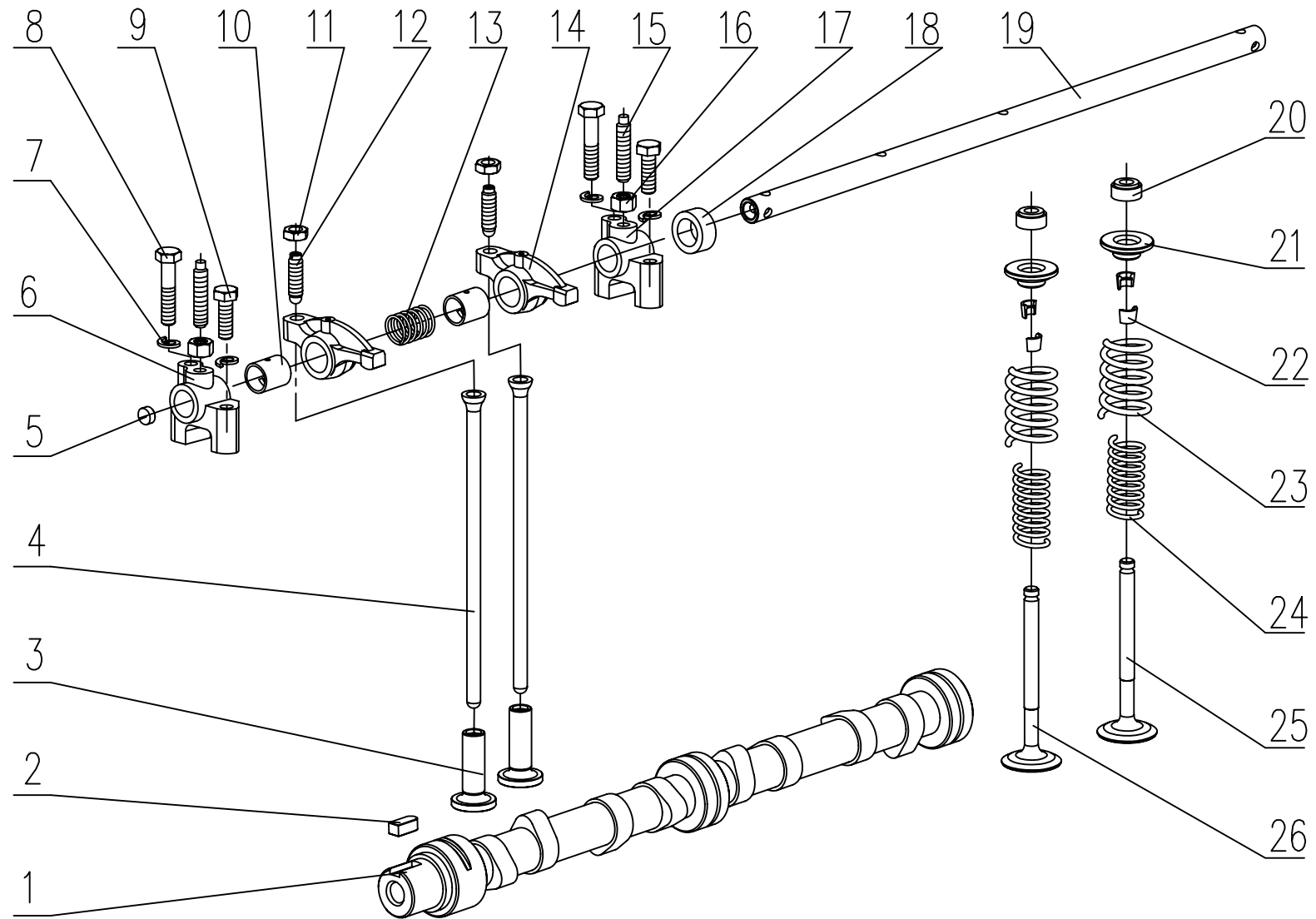


图7 配气机构

Fig.7 Valve Timing Mechanism

37 配气机构 Valve Timing Mechanism(Fig. 7)

Ser.No.	Part No.	名称及规格	Name & Specifications	Quantity	Remarks
1	4L88-070001	凸轮轴	Camshaft	1	
2	GB/T1096-2003-C10×25	平键C10×25	Falt key C10×25	1	
3	N485-07003-1	气门挺柱	Valve tappet	8	
4	4G33-070002	气门推杆	Valve push rod	8	
5	N85-02208	堵塞	Blocking plug	2	
6	4L68-022001	前摇臂座	Front rocker arm support	1	
7	GB/T859-1987-8	垫圈8	Washer 8	10	
8	GB/T5782-2000-M8×60	螺栓M8×60	Bolt M8×60	5	
9	GB/T5782-1985-M8×45	螺钉M8×45	Screw M8×45	5	
10	N85-02212	气门摇臂衬套	Valve rocker arm bushing	8	
11	N85-02203	气门间隙调整螺母	Valve clearance adjusting nut	8	
12	N85-02202	气门间隙调整螺钉	Valve clearance adjusting screw	8	
13	N85-02205	气门摇臂弹簧	Valve rocker arm spring	4	
14	N85-02211	气门摇臂	Valve rocker arm	8	
15	GB/T79-1985-M8×50	螺钉M8×50	Screw M8×50	5	
16	GB/T6170-2000-M8	螺母M8	Nut M8	5	
17	4L68-022004	摇臂座	Rocker arm support	4	
18	N85-02206	轴套	Rocker arm shaft bushing	3	
19	N485-02207	摇臂轴	Rocker arm shaft	1	
20	GB/T308-77	气门杆密封圈	Valve rod seal ring	8	
21	N85-02001-1	气门弹簧上座	Valve spring seat(upper)	8	
22	N85-02002	气门锁夹	Valve collet	16	
23	N85-02003-1	气门外弹簧	Valve outer spring	8	
24	N85-02003-2	气门内弹簧	Valve inner spring	8	
25	4L68-020007	排气门	Exhaust valve	4	

37 配气机构 Valve Timing Mechanism(Fig. 7)

续表

Ser.No.	Part No.	名称及规格	Name & Specifications	Quantity	Remarks
26	4L68-020008	进气门	Intake valve	4	

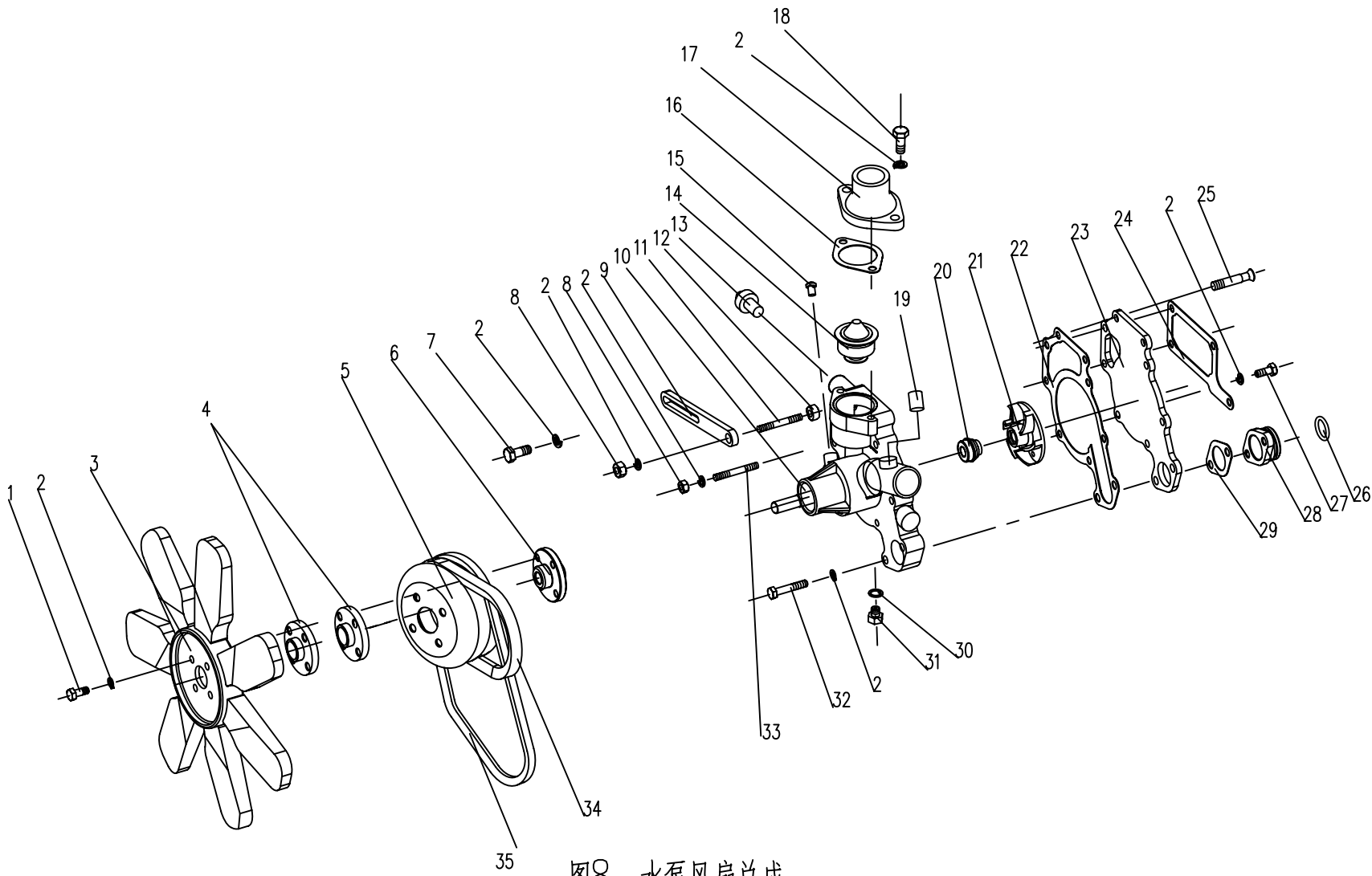


图8 水泵风扇总成
Fig.8 Water Pump and Fan Assembly

38 水泵、风扇总成 Water Pump and Fan Assembly (Fig. 8)

Ser.No.	Part No.	名称及规格	Name & Specifications	Quantity	Remarks
1	GB/T5783-2000-M8×70	螺栓M8×70	Bolt M8×70	4	
2	GB/T859-1987-8	垫圈8	Washer 8	16	
3	N485K-08001A	冷却风扇	Cooling fan	1	
4	N390T-08020C	风扇垫块组件	Fan pad	2	
5	N390T-08011A	水泵皮带轮	Water pump pulley	1	
6	CC490Q-080001S	水泵皮带轮壳	Water pump pulley housing	1	
7	GB/T5783-2000-M8×25	螺栓M8×25	Bolt M8×25	1	
8	GB/T97.1-2002-8	垫圈8	Washer 8	4	
9	CZ475Q-080013-1	撑杆	Bracing	1	
10	4G33T-082004	水泵壳体	Water pump housing	1	
11	GB/T898-1976-M8×65	螺柱M8×65	Stud M8×65	1	
12	4D20TCI-170005	发电机撑杆垫块	Generator bracing piece	1	
13	N485Q-17008	水温传感器	Water temperature sensor model 306	1	
14	N85Q-17003	节温器t (Model 155B)	Thermostat (Model 155B)	1	
15	JB/T7940.1-95-M8×1	油杯 M8×1	Oil cup M8×1	1	
16	N85T-08008	节温器壳垫片	Thermostat housing gasket	1	
17	N485Q-17001L	节温器盖	Thermostat cover	1	
18	GB/T5783-2000-M8×30	螺栓M8×30	Bolt M8×30	2	
19	N485Q-08015	接管	Connect pipe	1	
20	JB/T5086-91-C12	水封C12	Water seal ring C12	1	
21	4L68-080009A	叶轮	Water pump impeller	1	
22	4G33T-080009	水泵垫片	Water pump gasket	1	
23	4G33T-080010	水泵连接板	Water pump adapter	1	
24	N85T-08017	水泵连接板垫片	Water pump adapter gasket	1	
25	GB/T868-2000-M8×16	螺钉M8×16	Screw M8×16	6	

38 水泵、风扇总成 Water Pump and Fan Assembly (Fig. 8)

续表

Ser.No.	Part No.	名称及规格	Name & Specifications	Quantity	Remarks
26	GB/T3452.1-2005-34.5×3.55	O形圈 34.5×3.55	Seal ring 34.5×3.55	1	
27	GB/T5783-2000-M8×20	螺栓M8×20	Bolt M8×20	2	
28	N85T-08013	出水接头	Water drain connector	1	
29	N85T-08014	出水接头垫片	Water drain connector gasket	1	
30	GB/T848-2000-10	垫圈10	Washer 10	1	
31	N85T-08015	放水螺栓	Water drain screw	1	
32	GB/T5780-2000-M8×45	螺栓M8×45	Bolt M8×45	2	
33	GB/T898-1988-M8×45	螺柱M8×45	Stud M8×45	3	
34	GB12732-2008-AV15×690	风扇皮带AV15×690	Fan belt AV15×690	1	
35	GB12732-2008-AV15×900	风扇皮带AV15×900	Fan belt AV15×900	1	

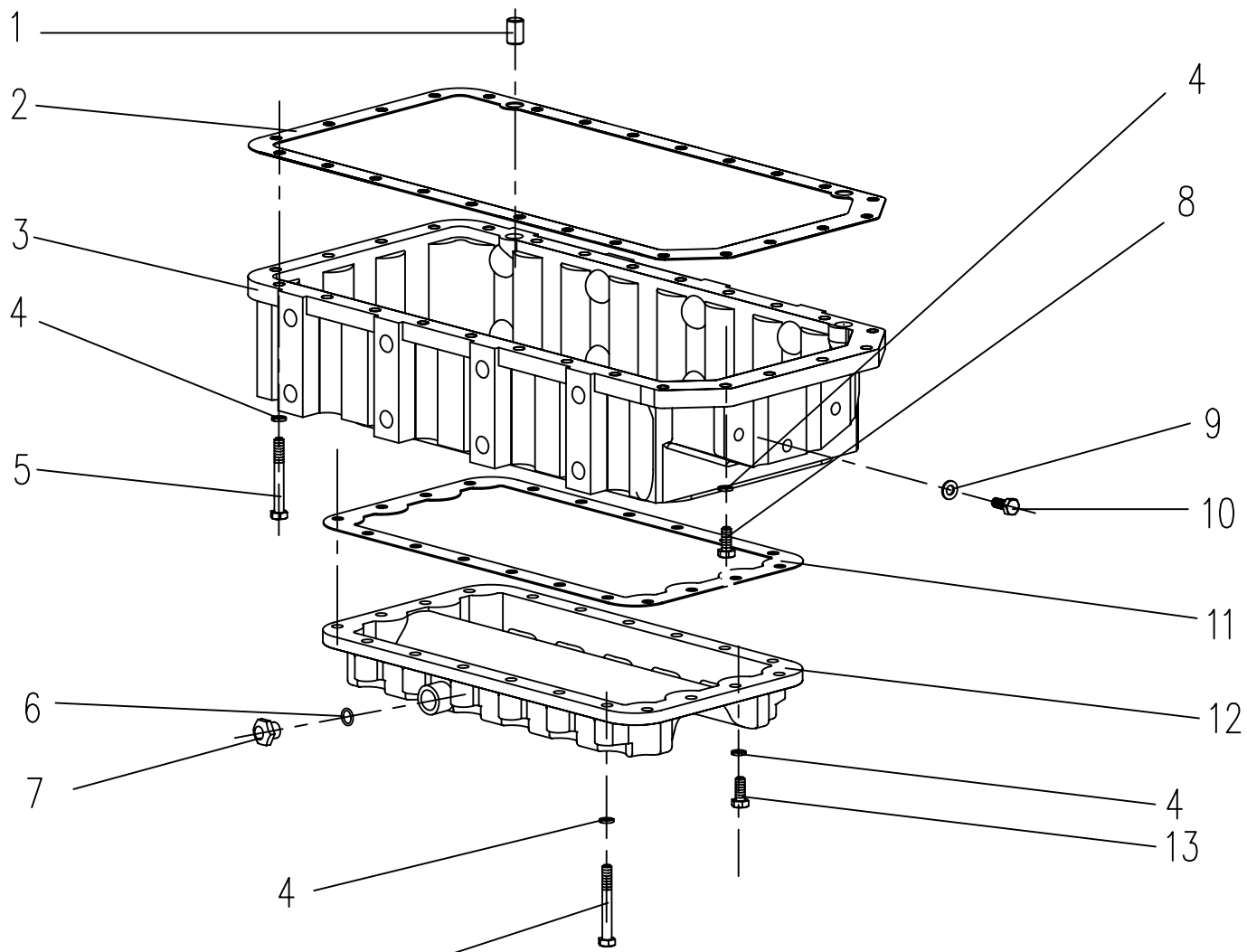


图9 油底壳总成
Fig.9 Oil Sump Assembly

39 油底壳总成 Oil Sump Assembly (Fig. 9)

Ser.No.	Part No.	名称及规格	Name & Specifications	Quantity	Remarks
1	N485T-03110	定位销	Dowel pin	2	
2	N485T-11001	油底壳垫片	Oil sump gasket	1	
3	ZN490T-11004	油底	Oil sump	1	
4	GB/T93-1987-8	垫圈8	Washer 8	45	
5	GB/T5782-2000-M8×55	螺栓M8×55	Bolt M8×55	6	
6	GB/T1235-1976-16×2.4	O形圈16×2.4	O Seal ring 16×2.4	2	
7	195-01026	闷头	Plug	2	
8	GB/T5783-2000-M8×30	螺栓M8×30	Bolt M8×30	16	
9	GB/T95-2002-10-100HV	垫圈10-100HV	Washer 10-100HV	4	
10	GB/T5783-2000-M10×30	螺栓M10×30	Bolt M10×30	4	
11	ZN490T-11005	副油底壳垫片	Auxiliary oil sump gasket	1	
12	ZN490T-11006A	副油底壳	Auxiliary oil sump	1	
13	GB/T5783-2000-M8×45	螺栓M8×45	Bolt M8×45	16	
14	GB/T5783-2000-M8×25	螺栓M8×25	Bolt M8×25	7	

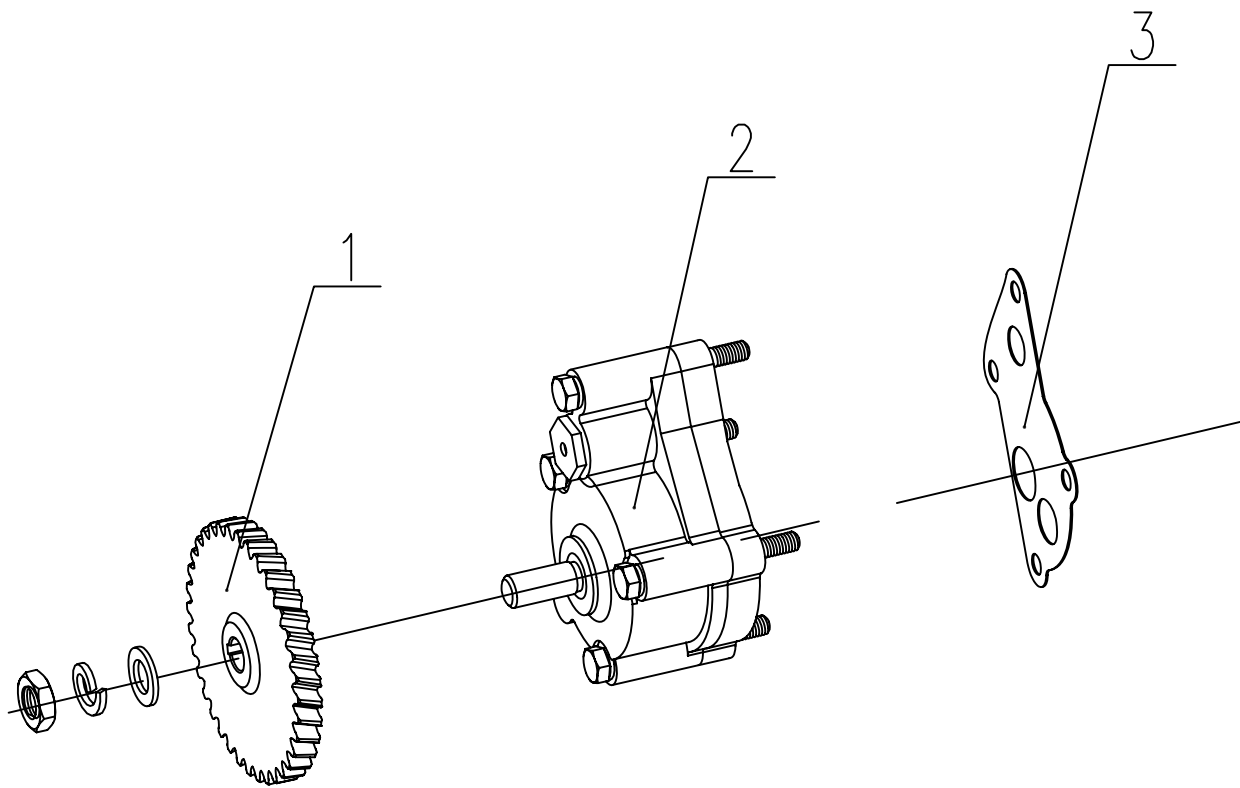


图10 机油泵总成

Fig.10 Oil Pump Assembly

40 机油泵总成 Lubricating Oil Pump Assembly (Fig.10)

Ser.No.	Part No.	名称及规格	Name & Specifications	Quantity	Remarks
1	N85-13007(D)	机油泵齿轮	Oil pump gear	1	
2	N485Q-13200B-1	机油泵部件	Oil pump	1	
3	N85-13003	机油泵垫片	Oil pump gasket	1	

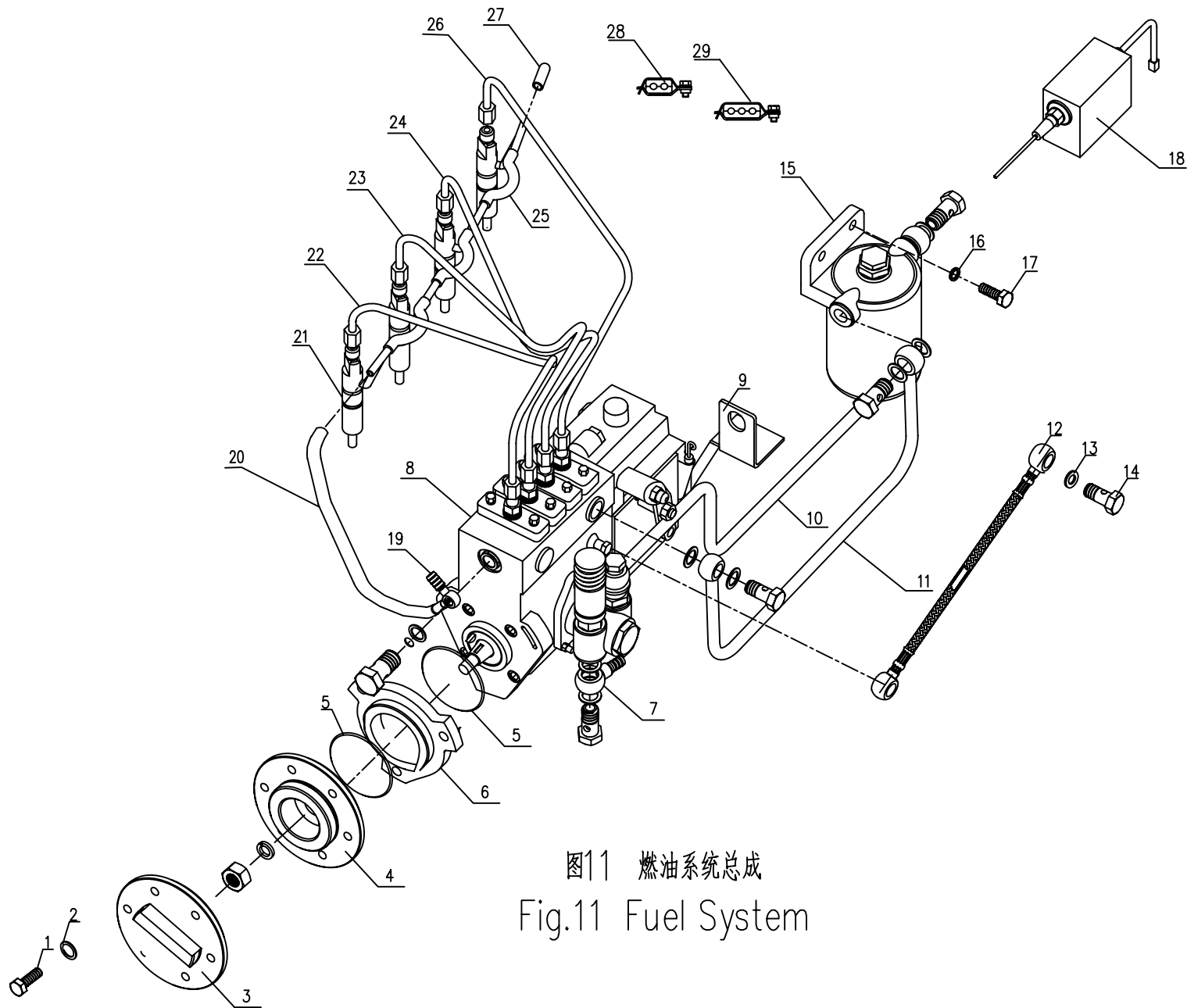


图11 燃油系统总成
Fig.11 Fuel System

41 燃油系统总成 Fuel System (Fig.11)

Ser.No.	Part No.	名称及规格	Name & Specifications	Quantity	Remarks
1	GB/T5782-2000-M6×25	螺栓M6×25	Bolt M6×25	6	
2	GB/T859-1987-6	垫圈6	Washer 6	6	
3	N85T-32001D	联接盘	Injection adapter	1	
4	N85Q-18005	喷油泵正时齿轮连接盘	Injection pump timing gear adapter	1	
5	GB/T3452.1-2005-77.5×2.65	O形圈77.5×2.65	Oil seal 77.5×2.65	2	
6	4L68-180003	喷油泵垫块	Injection pump end cover	1	
7	N85-15500(A)	输油泵进油管接头部件	Fuel feed pump inlet connection	1	
8	4G33-181000	喷油泵部件	Injection pump	1	
9	N485Q-18007B-1	熄火拉丝支架	Electronic flame support	1	
10	N485-15400	输油泵出油管部件	Fuel feed pump outlet pipe	1	
11	N485-15300	滤清器出油管部件	Fuel filter outlet pipe	1	
12	4G33-182000	喷油泵机油管部件	Injection pump oil pipe	1	
13	JB/T6013-2000-8	垫圈8	Washer 8	2	
14	JB/T6013-2000-M8×1	铰接螺栓M8×1	Bolt M8×1	1	
15	N485-28000B	柴油滤清器总成	Fuel filter	1	
16	GB/T859-1987-8	垫圈8	Washer 8	2	
17	GB/T5782-2000-M8×25	螺栓M8×25	Bolt M8×25	2	
18	4L68-184000A-1	电熄火器总成	Electronic flame	1	
19	4L68-151000-3	喷油器回油管接头部件	Injector fuel return pipe part	1	
20	4L68-150003	回油总管	Fuel return main pipe	4	
21	4L68-250000	喷油器部件	Injector	1	
22	4G33-141000	第一缸高压油管部件	1 st cylinder high pressure fuel pipe	1	
23	4G33-142000	第二缸高压油管部件	2 nd cylinder high pressure fuel pipe	1	
24	4G33-143000	第三缸高压油管部件	3 rd cylinder high pressure fuel pipe	1	
25	4L68-150002	回油管 φ6×2×110	Fuel return pipe φ6×2×110	3	

41 燃油系统总成 Fuel System (Fig.11)

续表

Ser.No.	Part No.	名称及规格	Name & Specifications	Quantity	Remarks
26	4G33-144000	第四缸高压油管部件	4 th cylinder high pressure fuel pipe	1	
27	4L68-150001-3	喷油器回油套	Injector fuel return cover	1	
28	4L88-145000	二孔夹箍部件	Clamp parts with two holes	2	
29	4L88-146000	三孔夹箍部件	Clamp parts with three holes	1	

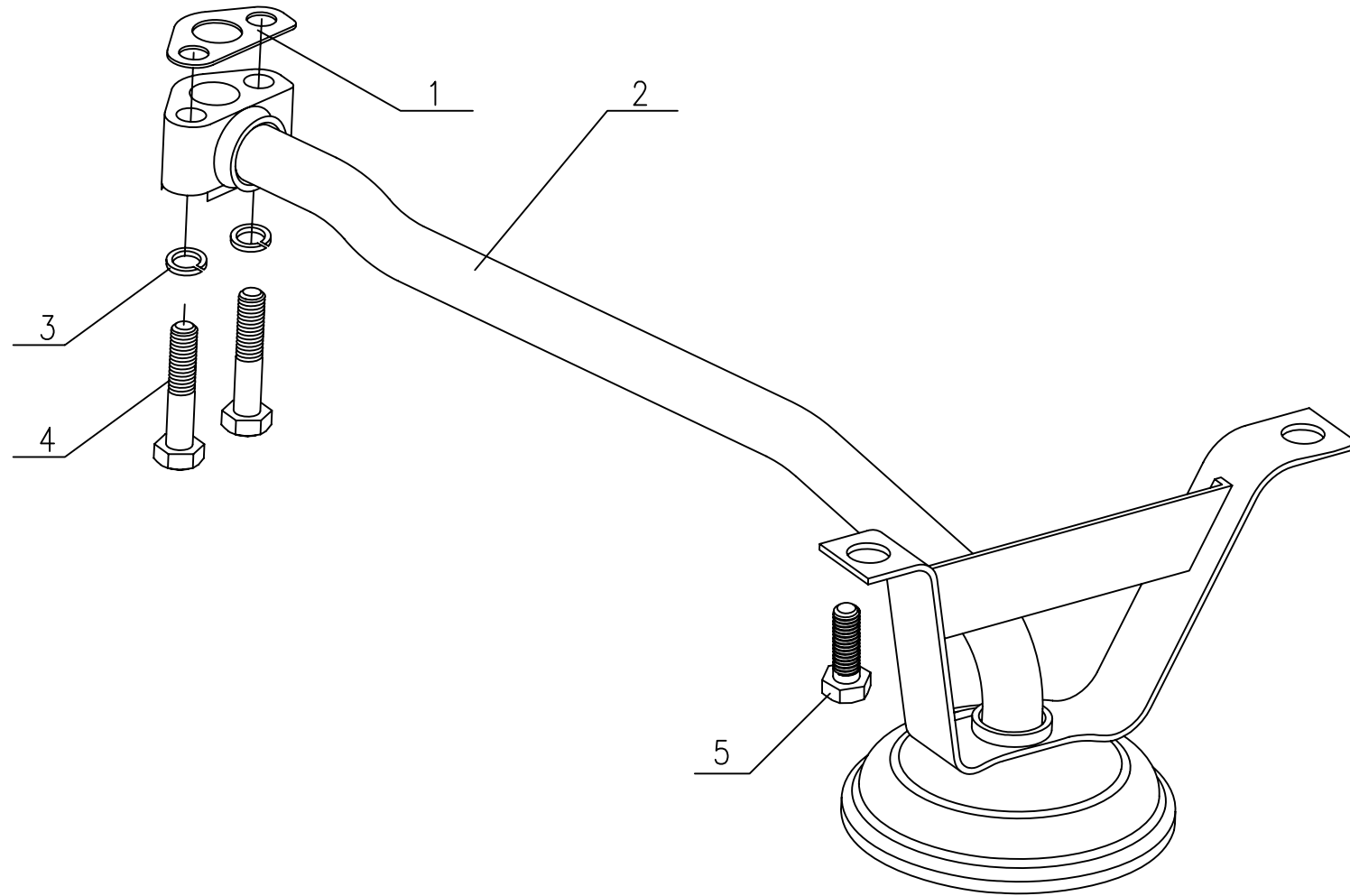


图12 机油集滤器总成

Fig.12 Oil Suction Strainer Assembly

42 机油集滤器总成 Oil Suction Strainer Assembly (Fig.12)

Ser.No.	Part No.	名称及规格	Name & Specifications	Quantity	Remarks
1	ZN490T-160002	垫片	Gasket	1	
2	ZN490T-161000	机油集滤器总成	Oil suction strainer	1	
3	GB/T859-1987-8	垫圈 8	Washer 8	2	
4	GB/T5782-2000- M8×35	螺栓M8×35	Bolt M8×35	2	
5	GB/T5783-2000- M8×16	螺栓M8×16	Bolt M8×16	2	

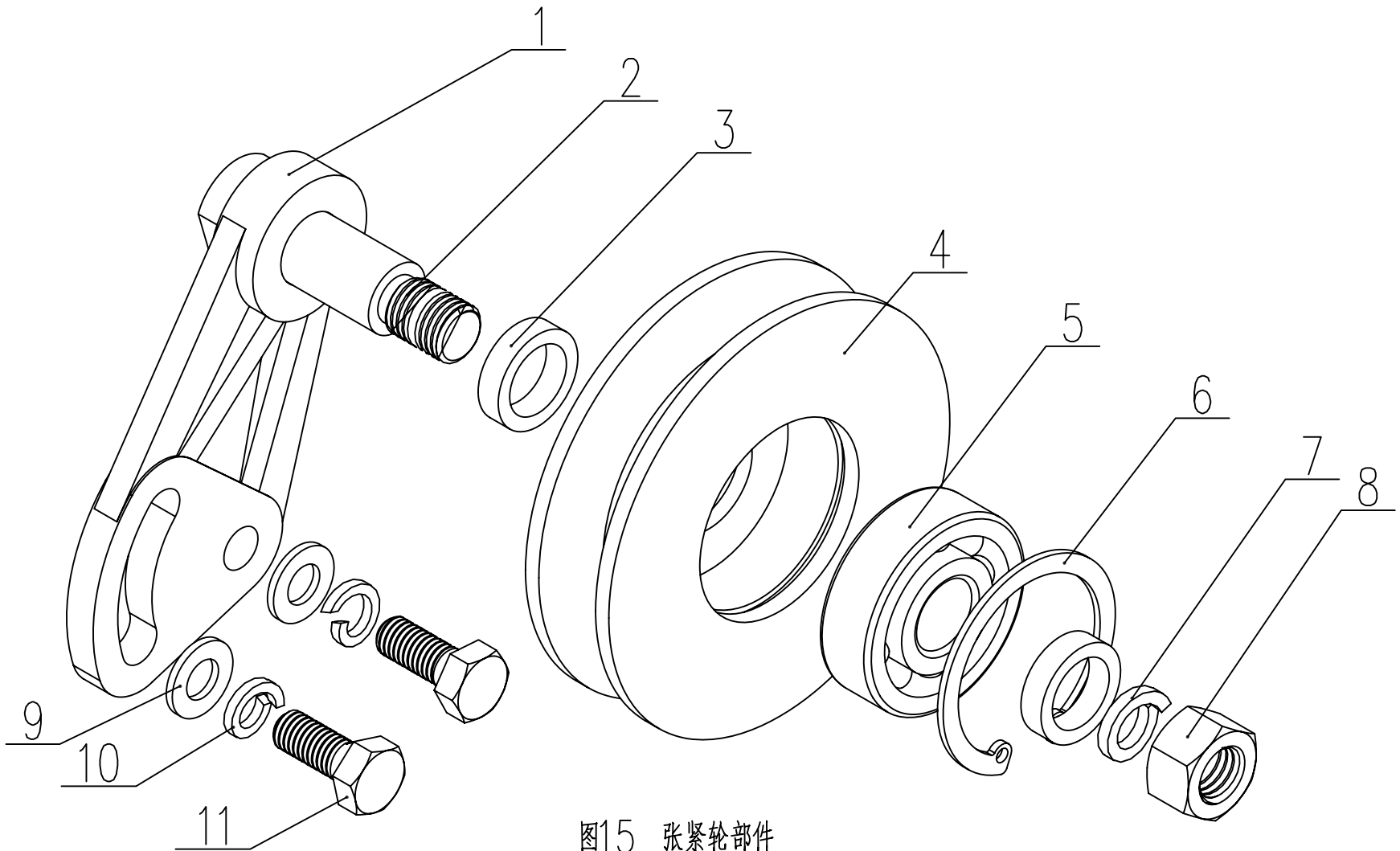


图15 张紧轮部件
Fig.15 Tension Pulley Assembly

43 张紧轮部件 Tension pulley assembly (Fig.13)

Ser.No.	Part No.	名称及规格	Name & Specifications	Quantity	Remarks
1	N390T-21002	张紧轮支架	Tension pulley bracket	1	
2	N390T-21004	张紧轮轴	Tension pulley shaft	1	
3	N390T-21003	套圈	Bush ring	2	
4	N390T-21001	张紧轮	Tension pulley	1	
5	GB/T276-1994-6302E-2RS	轴承6302E-2RS	Bearing 6302E-2RS	1	
6	GB/T893.1-1986-42	挡圈42	Thrust ring 42	1	
7	GB/T93-1987-12	垫圈12	Washer 12	1	
8	GB/T6170-2000-M12	螺母M12	Nut M12	1	
9	GB/T97.1-1985-8	垫圈8	Washer 8	2	
10	GB/T/T93-1987-8	垫圈8	Washer 8	2	
11	GB/T5783-2000-M8×20	螺栓M8×20	Bolt M8×20	2	

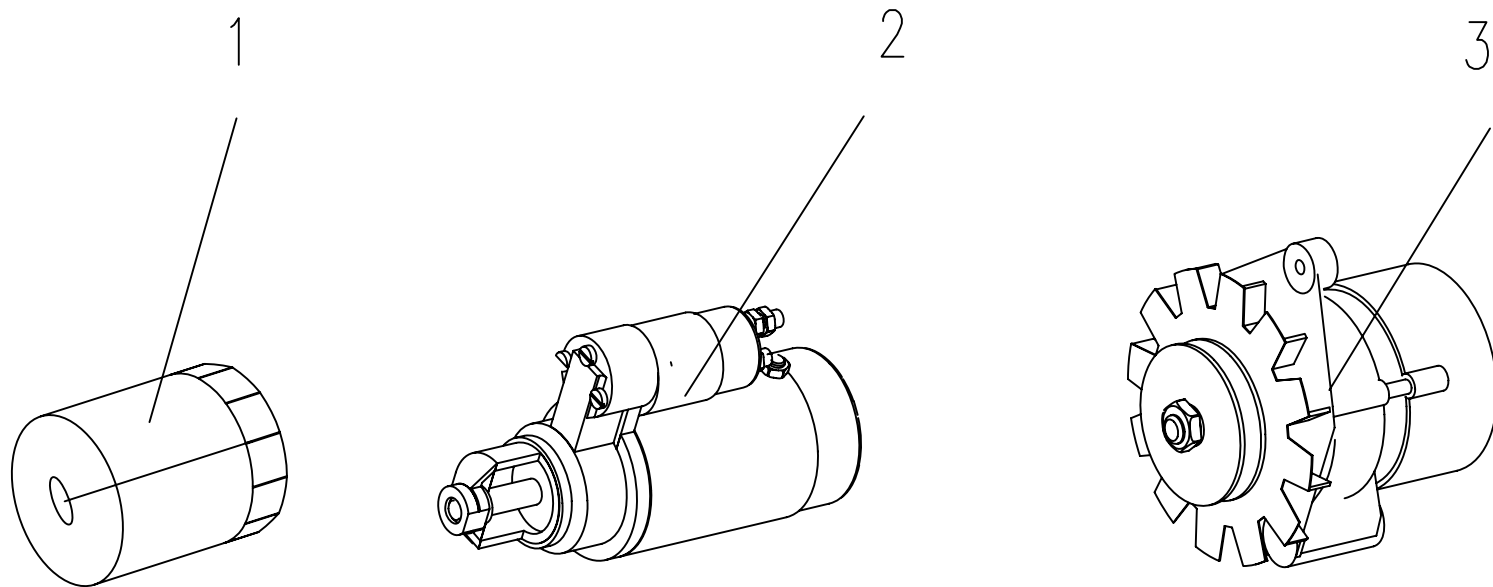


图14 机滤、发电机、起动电机

Fig.14 Oil Filter/Generator/Starting Motor

44 机滤、发电机、起动电机 Oil Filter/Air Filter/Generator/Starting Motor/Silencer (Fig. 14)

Ser.No.	Part No.	名称及规格	Name & Specifications	Quantity	Remarks
1	4G33-260000	机油滤清器部件	Lubricating oil filter	1	
2	4G33T-300000	起动电机总成	Starting motor	1	
3	N485Q-29000	发电机总成	Charging generator	1	

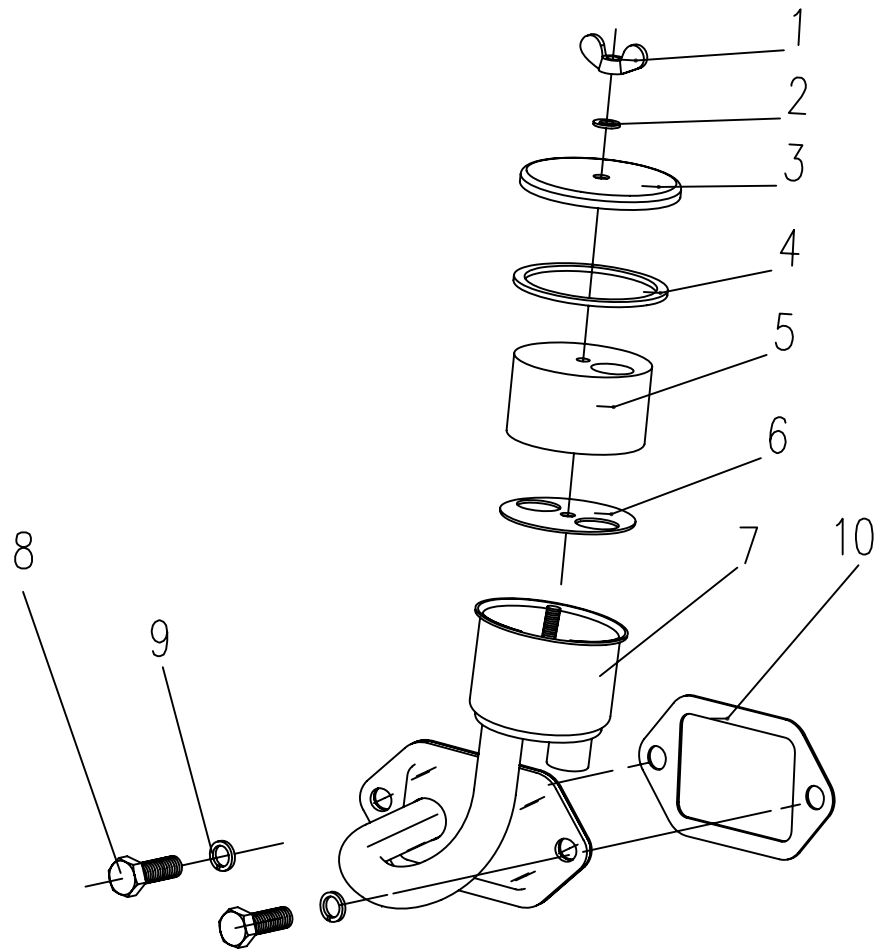


图15 呼吸器总成

Fig.15 Breather Assembly

45 呼吸器总成 Breather Assembly (Fig.13)

Ser.No.	Part No.	名称及规格	Name & Specifications	Quantity	Remarks
1	GB62-88-M5	螺母M5	Nut M5	1	
2	GB/T97.1-1985-5	垫圈5	Washer 5	1	
3	N85-19001	呼吸器盖	Breather cover	1	
4	N85-19002	密封垫圈	Seal ring	1	
5	N85-19003	滤网	Cartridge	1	
6	N85-19004	网挡	Cartridge retainer	1	
7	N390T-19100B	呼吸器体焊合件	Breather body	1	
8	GB/T5783-2000-M8×16	螺栓M8×16	Bolt M8×16	2	
9	GB/T859-1987-8	垫圈8	Washer 8	2	
10	N85-19005	推杆室盖垫片	Push rod case cover gasket	1	



NO.DF504G3-E-2018EC

Version: NO.00.00.00

First Print: September 2018

CHANGZHOU DONGFENG AGRICULTURAL MACHINERY GROUP CO.,LTD.

Add: No.328, Xinye Road, Xinzha Town,Zhonglou District, Changzhou, Jiangsu, China

Tel:086-0519-83256666

Fax: 0086 519 83261722

Postcode: 213012

E-mail: sales@df-tractor.com

Http://www.df-tractor.com